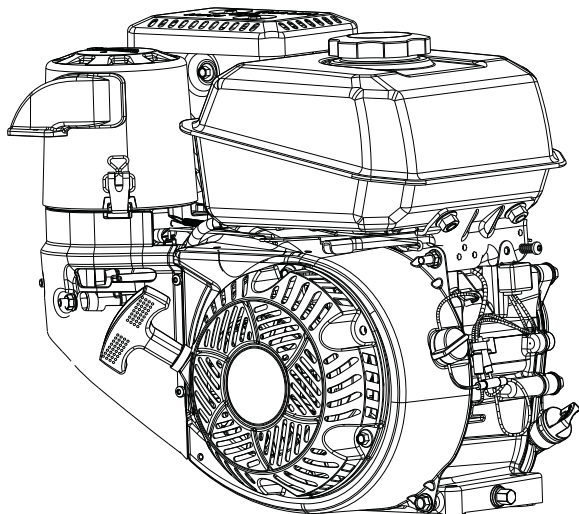


KOHLER® Command PRO®

CH260, CH270, CH395, CH440

Owner's Manual



EN
DA
DE
ESE
ESS
FRC
FRF
HR
ID
IT
NL
PL
PT
RO
RU
SL
ZH

IMPORTANT: Read all safety precautions and instructions carefully before operating equipment. Refer to operating instruction of equipment that this engine powers.

Ensure engine is stopped and level before performing any maintenance or service.

Warranty coverage as outlined in the warranty card and on KohlerEngines.com. Please review carefully as it provides you specific rights and obligations.

Record engine information to reference when ordering parts or obtaining warranty coverage.

Engine Model _____

Specification _____

Serial Number _____


Purchase Date _____


Safety Precautions


⚠ WARNING: A hazard that could result in death, serious injury, or substantial property damage.

⚠ CAUTION: A hazard that could result in minor personal injury or property damage.


NOTE: is used to notify people of important installation, operation, or maintenance information.

	<p>⚠ WARNING</p> <p>Explosive Fuel can cause fires and severe burns.</p> <p>Do not fill fuel tank while engine is hot or running.</p>
<p>Gasoline is extremely flammable and its vapors can explode if ignited. Store gasoline only in approved containers, in well ventilated, unoccupied buildings, away from sparks or flames. Spilled fuel could ignite if it comes in contact with hot parts or sparks from ignition. Never use gasoline as a cleaning agent.</p>	

	<p>⚠ WARNING</p> <p>Carbon Monoxide can cause severe nausea, fainting or death.</p> <p>Avoid inhaling exhaust fumes.</p>
<p>Engine exhaust gases contain poisonous carbon monoxide. Carbon monoxide is odorless, colorless, and can cause death if inhaled.</p>	

	<p>⚠ WARNING</p> <p>Accidental Starts can cause severe injury or death.</p> <p>Disconnect and ground spark plug lead(s) before servicing.</p>
<p>Before working on engine or equipment, disable engine as follows: 1) Disconnect spark plug lead(s). 2) Disconnect negative (-) battery cable from battery.</p>	

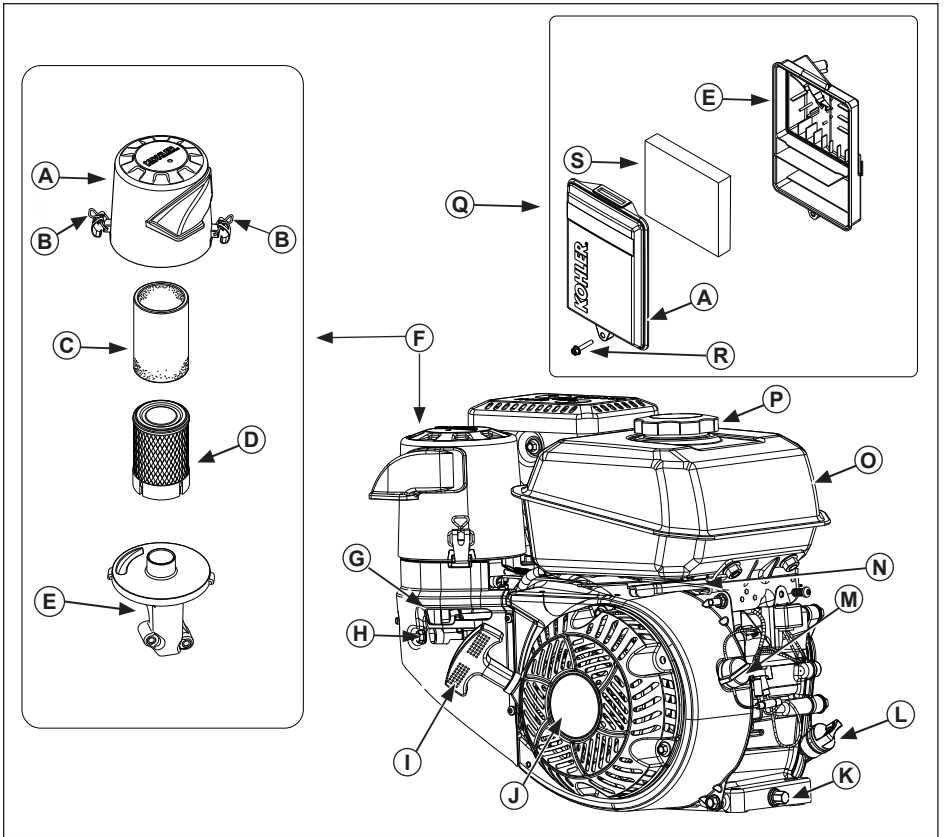
	<p>⚠ WARNING</p> <p>Rotating Parts can cause severe injury.</p> <p>Stay away while engine is in operation.</p>
<p>Keep hands, feet, hair, and clothing away from all moving parts to prevent injury. Never operate engine with covers, shrouds, or guards removed.</p>	

	<p>⚠ CAUTION</p> <p>Electrical Shock can cause injury.</p> <p>Do not touch wires while engine is running.</p>
---	--

	<p>⚠ WARNING</p> <p>Hot Parts can cause severe burns.</p> <p>Do not touch engine while operating or just after stopping.</p>
<p>Never operate engine with heat shields or guards removed.</p>	

California Proposition 65 Warning

Engine exhaust from this product contains chemicals known to State of California to cause cancer, birth defects, or other reproductive harm.



A	Air Cleaner Cover	B	Bail	C	Precleaner	D	Paper Element
E	Air Cleaner Base	F	Quad-Clean™ Air Cleaner	G	Choke Lever	H	Fuel Shut-Off
I	Starter Handle	J	Retractable Starter	K	Oil Drain Plug	L	Dipstick/Oil Fill Plug
M	On/Off Switch (if equipped)	N	Throttle Lever	O	Fuel Tank	P	Fuel Cap
Q	Low-Profile Air Cleaner	R	Screw	S	Foam Element		

Pre-Start Checklist

1. Check oil level. Add oil if low. Do not overfill.
2. Check fuel level. Add fuel if low. Check fuel system components and lines for leaks.
3. Check and clean cooling areas, air intake areas and external surfaces of engine (particularly after storage).
4. Check that air cleaner components and all shrouds, equipment covers, and guards are in place and securely fastened.
5. Check spark arrestor (if equipped).

Starting



WARNING

Carbon Monoxide can cause severe nausea, fainting or death. Avoid inhaling exhaust fumes.

Engine exhaust gases contain poisonous carbon monoxide. Carbon monoxide is odorless, colorless, and can cause death if inhaled.



WARNING

Rotating Parts can cause severe injury.

Stay away while engine is in operation.

Keep hands, feet, hair, and clothing away from all moving parts to prevent injury. Never operate engine with covers, shrouds, or guards removed.

NOTE: Choke position for starting may vary depending upon temperature and other factors. Once engine is running and warm, turn choke to OFF position.

NOTE: Extend starter cord periodically to check its condition. If cord is frayed have it replaced immediately by a Kohler authorized dealer.

NOTE: Do not crank engine continuously for more than 10 seconds. Allow a 60 second cool down period between starting attempts. Failure to follow these guidelines can burn out starter motor.

NOTE: If engine develops sufficient speed to disengage starter but does not keep running (a false start), engine rotation must be allowed to come to a complete stop before attempting to restart engine. If starter is engaged while flywheel is rotating, starter pinion and flywheel ring gear may clash, resulting in damage to starter.

1. Turn fuel shut-off valve to ON position (if equipped).
2. Turn engine on/off switch to ON position (if equipped).
3. Start engine as follows:

Cold engine: Place throttle control midway between SLOW and FAST positions. Place choke control into ON position.

Warm engine: Place throttle control midway between SLOW and FAST positions. Return choke to OFF position as soon as engine starts. A warm engine usually does not require choke on.

4. Retractable Start: Slowly pull starter handle until just past compression-STOP! Return starter handle; firmly pull straight out to avoid excessive rope wear from starter rope guide.

Electric Start: Activate starter switch. Release switch as soon as engine starts. If starter does not turn engine over, shut off starter immediately. Do not make further attempts to start engine until condition is corrected. Do not jump start. See your Kohler authorized dealer for trouble analysis.

5. Gradually return choke control to OFF position after engine starts and warms up. Engine/equipment may be operated during warm up period, but it may be necessary to leave choke partially on until engine warms up.

Cold Weather Starting Hints

1. Use proper oil for temperature expected.
2. Disengage all possible external loads.
3. Use fresh winter grade fuel. Winter grade fuel has higher volatility to improve starting.

Stopping

1. If possible, remove load by disengaging all PTO driven attachments.
2. If equipped, move throttle control to slow or idle position; stop engine.
3. If equipped, close fuel shut-off valve.

Angle of Operation

Refer to operating instructions of equipment this engine powers. Do not operate this engine exceeding maximum angle of operation; see specification table. Engine damage could result from insufficient lubrication.

Engine Speed

NOTE: Do not tamper with governor setting to increase maximum engine speed. Overspeed is hazardous and will void warranty.

High Altitude Operation

This engine may require a high altitude carburetor kit to ensure correct engine operation at altitudes above 4000 ft. (1219 meters). To obtain high altitude kit information or to find a Kohler authorized dealer KohlerEngines.com or call 1-800-544-2444 (U.S. and Canada).

This engine should be operated in its original configuration below 4000 ft. (1219 meters) as damage may occur if high altitude carburetor kit is installed and operated below 4000 ft. (1219 meters).

Carburetor Icing



NOTE: Running engine with cover positioned for cold weather operation in normal conditions can damage engine.

Carburetor icing can take place when certain combinations of temperature and humidity exist. Result of carburetor icing is rough running at idle or low speed as well as black or white smoke.

To reduce likelihood of carburetor icing, air cleaner cover can be rotated to draw warmer air from muffler side. For cold weather operation, position air cleaner cover with snowflake decal out.

For normal operation, position air cleaner cover with sun decal out.

Maintenance Instructions

	 WARNING	Before working on engine or equipment, disable engine as follows: 1) Disconnect spark plug lead(s). 2) Disconnect negative (-) battery cable from battery.
	Accidental Starts can cause severe injury or death. Disconnect and ground spark plug lead(s) before servicing.	

Normal maintenance, replacement or repair of emission control devices and systems may be performed by any repair establishment or individual; however, warranty repairs must be performed by a Kohler authorized dealer found at KohlerEngines.com or 1-800-544-2444 (U.S. and Canada).

Maintenance Schedule

After first 5 Hours

- Change oil.

Every 50 Hours or Annually

- Service/replace Quad-Clean™ precleaner.

Every 100 Hours or Annually¹

- Clean low-profile air cleaner element.
- Change oil.
- Clean cooling areas.
- Replace spark plug and set gap.

Every 200 Hours²

- Check and adjust valve clearance when engine is cold.

Every 200 Hours

- Replace Quad-Clean™ air cleaner element.

Every 300 Hours

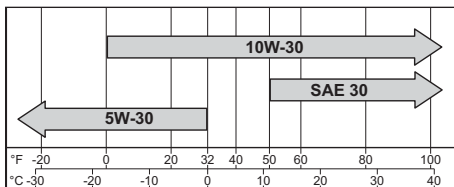
- Replace low-profile air cleaner element.
- Check fuel filters (tank outlet filter and in-line filter) and clean or replace if needed (if equipped).

¹ Perform these procedures more frequently under severe, dusty, dirty conditions.

² Have a Kohler authorized dealer perform this service.

Oil Recommendations

We recommend use of Kohler oils for best performance. Other high-quality detergent oils (including synthetic) of API (American Petroleum Institute) service class SJ or higher are acceptable. Select viscosity based on air temperature at time of operation as shown in table below.



Check Oil Level

NOTE: To prevent extensive engine wear or damage, never run engine with oil level below or above operating range indicator on dipstick.

Ensure engine is cool. Clean oil fill/dipstick areas of any debris.

1. Remove dipstick; wipe oil off.
2. Reinsert dipstick into tube; rest on oil fill neck; turn counterclockwise until cap drops down to lowest point of thread leads; do not thread cap onto tube.

- a. Remove dipstick; check oil level. Level should be at top of indicator on dipstick.
or
 - b. Remove oil fill plug. Level should be up to point of overflowing filler neck.
3. If oil is low, add oil up to point of overflowing filler neck.
 4. Reinstall dipstick or oil fill plug and tighten securely.

Change Oil


Change oil while engine is warm.

1. Clean area around oil fill cap/dipstick and drain plug.
2. Remove drain plug and oil fill cap/dipstick. Drain oil completely.
3. Reinstall drain plug. Torque to 13 ft. lb. (17.6 N-m).
4. Fill crankcase with new oil, up to point of overflowing filler neck.
5. Reinstall oil fill cap/dipstick and tighten securely.
6. Dispose of used oil in accordance with local ordinances.

Oil Sentry™ (if equipped)

This switch is designed to prevent engine from starting in a low oil or no oil condition. Oil Sentry™ may not shut down a running engine before damage occurs. In some applications this switch may activate a warning signal. Read your equipment manuals for more information.

Fuel Recommendations

	! WARNING Explosive Fuel can cause fires and severe burns. Do not fill fuel tank while engine is hot or running.
	Gasoline is extremely flammable and its vapors can explode if ignited. Store gasoline only in approved containers, in well ventilated, unoccupied buildings, away from sparks or flames. Spilled fuel could ignite if it comes in contact with hot parts or sparks from ignition. Never use gasoline as a cleaning agent.


NOTE: E15, E20 and E85 are NOT approved and should NOT be used; effects of old, stale or contaminated fuel are not warrantable.

Fuel must meet these requirements:

- Clean, fresh, unleaded gasoline.
- Octane rating of 87 (R+M)/2 or higher.

- Research Octane Number (RON) 90 octane minimum.
- Gasoline up to 10% ethyl alcohol, 90% unleaded is acceptable.
- Methyl Tertiary Butyl Ether (MTBE) and unleaded gasoline blend (max 15% MTBE by volume) are approved.
- Do not add oil to gasoline.
- Do not overfill fuel tank.
- Do not use gasoline older than 30 days.

Add Fuel

	! WARNING Explosive Fuel can cause fires and severe burns. Do not fill fuel tank while engine is hot or running.
	Gasoline is extremely flammable and its vapors can explode if ignited. Store gasoline only in approved containers, in well ventilated, unoccupied buildings, away from sparks or flames. Spilled fuel could ignite if it comes in contact with hot parts or sparks from ignition. Never use gasoline as a cleaning agent.

Ensure engine is cool.

1. Clean area around fuel cap.
2. Remove fuel cap. Fill to base of filler neck. Do not overfill fuel tank. Leave room for fuel to expand.
3. Reinstall fuel cap and tighten securely.

Fuel Line

Low permeation fuel line must be installed on carbureted Kohler Co. engines to maintain EPA and CARB regulatory compliance.



Fuel Valve

Engines are equipped with a fuel valve and integral screen filter located at inlet of carburetor. It controls and filters fuel flow from tank to carburetor. Clean fuel valve cup of debris.

1. Remove two nuts, two screws, and carburetor cover panel.
2. Turn fuel valve lever to OFF position.
3. Remove fuel valve cup. Remove O-ring and filter screen.
4. Clean screen and fuel valve cup with solvent and wipe it off.
5. Check screen and O-ring, replace if damaged.
6. Reinstall O-ring followed by fuel valve cup. Rotate fuel valve cup until it is finger tight. Turn with a wrench 1/2 to 3/4 full turn.

- Turn fuel valve to ON position and check for leaks. If fuel valve leaks repeat steps 5 & 6.
- Tighten fuel cap securely.
- Reinstall carburetor cover panel securing with hardware removed in step 1.

Spark Plugs

	 CAUTION
	<p>Electrical Shock can cause injury. Do not touch wires while engine is running.</p>

Clean out spark plug recess. Remove plug and replace.

- Check gap using wire feeler gauge. Adjust gap, see specification table for adjustment.
- Install plug into cylinder head.
- Torque plug to 20 ft. lb. (27 N·m).

Air Cleaner

NOTE: Running engine with cover positioned for cold weather operation in normal conditions can damage engine.

NOTE: Operating engine with loose or damaged air cleaner components could cause premature wear and failure. Replace all bent or damaged components.

NOTE: Paper element cannot be blown out with compressed air.

Quad-Clean™

Move bails on air cleaner cover down; remove latches from under tabs on base; remove cover.

Pre-cleaner:

- Remove pre-cleaner from paper element.
- Replace or wash pre-cleaner in warm water with detergent. Rinse and allow to air dry.
- Lightly oil pre-cleaner with new engine oil; squeeze out excess oil.
- Reinstall pre-cleaner over paper element.

Paper Element:

- Separate pre-cleaner from element; service pre-cleaner and replace paper element.
- Install new paper element on base; install pre-cleaner over paper element.

Position air cleaner cover for normal operation (sun decal out) or cold weather operation (snowflake decal out); place latches under tabs on base; lift up bails to secure cover.



Low-Profile

- Remove screw and air cleaner cover.
- Remove foam element from base.
- Wash foam element in warm water with detergent. Rinse and allow to air dry.
- Lightly oil foam element with new engine oil; squeeze out excess oil.
- Reinstall foam element into base.
- Reinstall cover and secure with screw.

Breather Tube

Ensure both ends of breather tube are properly connected.

Air Cooling

	 WARNING
	<p>Hot Parts can cause severe burns. Do not touch engine while operating or just after stopping.</p>
<p>Never operate engine with heat shields or guards removed.</p>	

Proper cooling is essential. To prevent over heating, clean screens, cooling fins, and other external surfaces of engine. Avoid spraying water at wiring harness or any electrical components. See Maintenance Schedule.

Repairs/Service Parts

We recommend that you use a Kohler authorized dealer for all maintenance, service, and replacement parts for engine. To find a Kohler authorized dealer visit KohlerEngines.com or call 1-800-544-2444 (U.S. and Canada).

Storage

If engine will be out of service for 2 months or more follow procedure below.

- Add Kohler PRO Series fuel treatment or equivalent to fuel tank. Run engine 2-3 minutes to get stabilized fuel into fuel system (failures due to untreated fuel are not warrantable).
- Change oil while engine is still warm from operation. Remove spark plug(s) and pour about 1 oz. of engine oil into cylinder(s). Replace spark plug(s) and crank engine slowly to distribute oil.
- Disconnect negative (-) battery cable.
- Store engine in a clean, dry place.

Troubleshooting

Do not attempt to service or replace major engine components, or any items that require special timing or adjustment procedures. This work should be performed by a Kohler authorized dealer.

Problem	Possible Cause							
	No Fuel	Improper Fuel	Dirt In Fuel Line	Dirty Debris Screen	Incorrect Oil Level	Engine Overloaded	Dirty Air Cleaner	Faulty Spark Plug
Will Not Start	•	•	•		•	•	•	•
Hard Starting		•	•		•	•	•	•
Stops Suddenly	•		•	•	•	•	•	•
Lacks Power		•	•	•	•	•	•	•
Operates Erratically		•	•	•		•	•	•
Knocks or Pings		•		•		•		•
Skips or Misfires		•	•	•			•	•
Backfires		•	•			•	•	•
Overheats		•	•	•	•	•	•	
High Fuel Consumption						•	•	•

Engine Specifications

Model	Bore	Stroke	Displacement	Oil Capacity (Refill)	Spark Plug Gap	Maximum Angle of Operation (@ full oil level)*
CH260	2.8 in. (70 mm)	2.1 in. (54 mm)	12.7 in. (208 cc)	0.63 U.S. qt. (0.60 L)	0.03 in. (0.76 mm)	25°
CH270						
CH395	3.1 in. (78 mm)	2.3 in. (58 mm)	16.9 in. (277 cc)	1.16 U.S. qt. (1.1 L)		
CH440	3.5 in. (89 mm)	2.7 in. (69 mm)	24.7 in. (429 cc)			

*Exceeding maximum angle of operation may cause engine damage from insufficient lubrication.

Additional specification information can be found in service manual at KohlerEngines.com.

Exhaust Emission Control System for models CH260, CH270, CH395, CH440 is EM for U.S. EPA, California, and Europe.

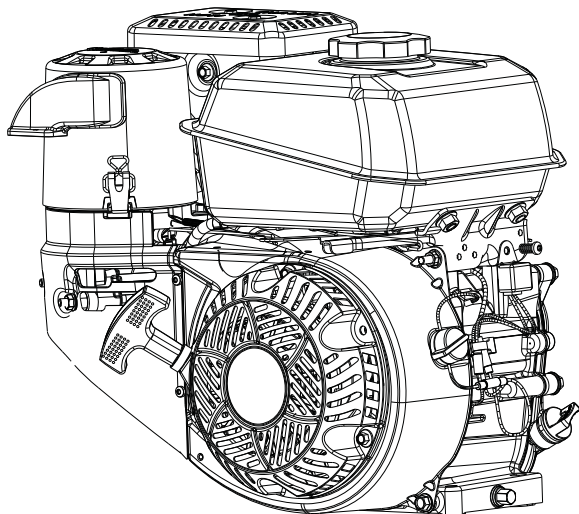
Any and all horsepower (hp) references by Kohler are Certified Power Ratings and per SAE J1940 & J1995 hp standards. Details on Certified Power Ratings can be found at KohlerEngines.com.

KOHLER® Command PRO®

DA

CH260, CH270, CH395, CH440

Betjeningsvejledning



VIGTIGT: Læs alle sikkerhedsforholdsregler omhyggeligt, før du betjener udstyret. Se betjeningsvejledningen til det udstyr, der er sluttet til denne motor.

Sørg for, at motoren er stoppet og befinder sig i vandret position, før der udføres nogen former for vedligeholdelse eller service.

Garantidækningen fremgår af garantikortet og på KohlerEngines.com. Gennemgå omhyggeligt materialet, eftersom det indeholder oplysninger om dine specifikke rettigheder og forpligtelser.

Notér oplysningerne om motoren som reference, når du skal bestille reservedele eller have udført garantiarbejde.

Motormodel _____

Specifikationer _____

Serienummer _____

Købsdato _____


Sikkerhedsforanstaltninger


⚠ ADVARSEL: Der kan opstå en faresituation med død, alvorlig kvæstelser eller omfattende tingskade til følge.

⚠ FORSIGTIG: Der kan opstå en faresituation med mindre kvæstelser eller tingskade til følge.

BEMÆRK: anvendes til at underrette personer om vigtige oplysninger vedr. installation, betjening eller vedligeholdelse.

	<p>⚠ ADVARSEL</p> <p>Eksplodivt brændstof kan medføre brand og alvorlige forbrændinger.</p>
	<p>Undlad at fylde brændstoffranken, mens motoren er varm eller kører.</p>
<p>Benzin er meget brandfarligt, og benzindampe kan eksplodere, hvis de antændes. Opbevar altid benzin i godkendte beholdere i ikke-beboede bygninger med god ventilation og i god afstand fra gnister og flammer. Spildt brændstof kan antændes, hvis det kommer i kontakt med varme dele eller gnister fra tændingen. Brug aldrig benzin til rengøring.</p>	

	<p>⚠ ADVARSEL</p> <p>Kulmonoxid kan medføre alvorlig kvalme, besvimelse eller døden.</p>
	<p>Undgå indånding af udstødningsgasser.</p>
<p>Udstødningsgasser fra motoren indeholder giftig kulmonoxid. Kulmonoxid er lugtfri og farveløs og kan være livsfarlig ved indånding.</p>	

	<p>⚠ ADVARSEL</p> <p>Utsigtet start kan medføre alvorlig personskade eller døden.</p> <p>Afbryd tændrørskabler, og forbind dem til jord før service.</p>
	<p>Før du udfører arbejde på motoren eller udstyret, skal du frakoble motoren på følgende måde: 1) Afbryd tændrørskablet eller -kablerne. 2) Frakobl det negative (-) batterikabel fra batteriet.</p>

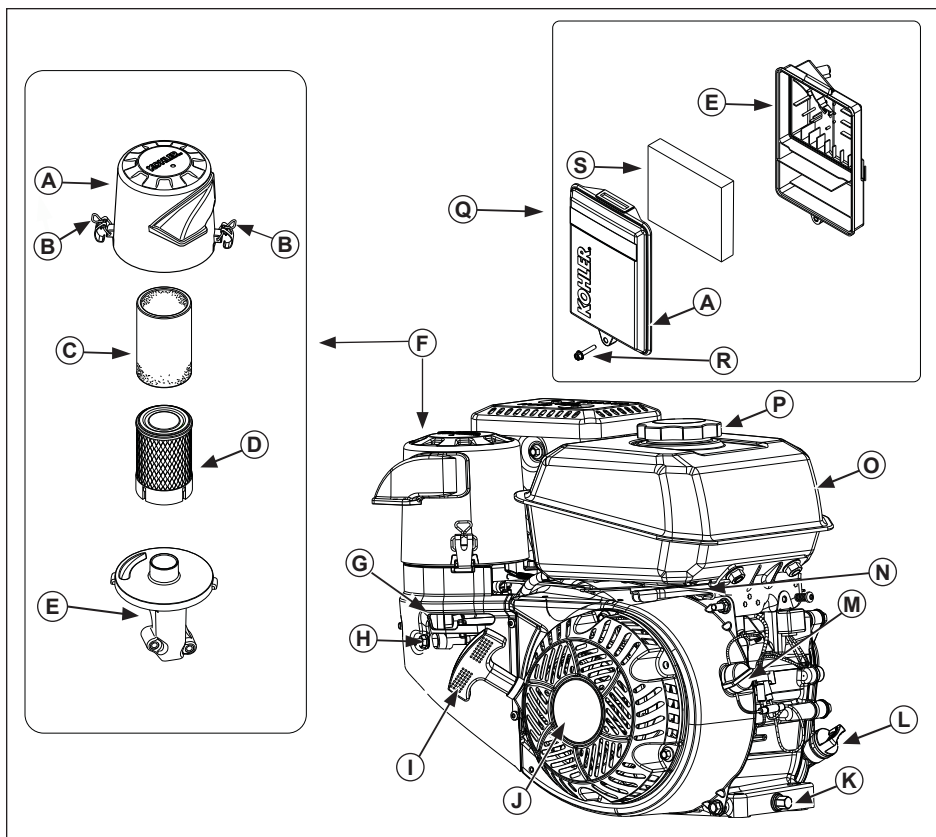
	<p>⚠ ADVARSEL</p> <p>Roterende dele kan forårsage alvorlige personskader.</p> <p>Hold sikker afstand, når motoren kører.</p>
	<p>Hold hænder, fødder, hår og tøj i sikker afstand fra alle roterende dele, så du undgår at komme til skade. Lad aldrig motoren køre, mens dæksler, kapper og afskærmninger er afmonteret.</p>

	<p>⚠ FORSIGTIG</p> <p>Elektrisk stød kan medføre personskade.</p>
	<p>Undlad at berøre ledningerne, når motoren kører.</p>

	<p>⚠ ADVARSEL</p> <p>Varme dele kan medføre alvorlige forbrændinger.</p> <p>Undlad at berøre motoren under drift eller lige efter standsning.</p>
	<p>Lad aldrig motoren køre, når varmeskærme og afskærmninger er afmonteret.</p>

California Proposition 65-advarsel

Motorudstødning fra dette produkt indeholder kemikalier, der er anført på den californiske liste over stoffer, der forårsager kræft, fosterskader eller andre reproduktive skader.





A	Afskærmning til luftfilter	B	Øse	C	Forfilter	D	Papirelement
E	Luftfilterenhed	F	Quad-Clean™ luftfilter	G	Chokerarm	H	Brændstofafbryder
I	Startergreb	J	Starter med snoretræk	K	Olieaftapningsprop	L	Oliepind/oliepåfyldningsprop
M	Til/fra-kontakt (hvis monteret)	N	Gasreguleringsarm	O	Brændstoftank	P	Brændstofhætte
Q	Luftfilter med lav profil	R	Skruer	S	Skumfilterelement		

Tjekliste før start

1. Kontrollér oliestanden. Tilsæt olie ved lav oliestand. Fyld ikke for meget brændstof på.
2. Kontrollér brændstofstanden. Tilsæt brændstof ved lav brændstofstand. Kontrollér brændstofsystemets komponenter og slanger for lækage.
3. Kontrollér og rengør køleområder, luftindtag og udvendige overflader på motoren (navnlig efter opbevaring).
4. Kontrollér, at luftfilterets komponenter og alle kapper, dæksler og afskærmninger sidder, hvor de skal og er forsvarligt fastgjorte.
5. Kontrollér gnistfang (hvis monteret).

Start af motoren

	 ADVARSEL
	Kulmonoxid kan medføre alvorlig kvalme, besvimelse eller døden. Undgå indånding af udstødningsgasser.
Udstødningsgasser fra motoren indeholder giftig kulmonoxid. Kulmonoxid er lugtfri og farveløs og kan være livsfarlig ved indånding.	

	 ADVARSEL
	Roterende dele kan forårsage alvorlige personskader. Hold sikker afstand, når motoren kører.
Hold hænder, fødder, hår og tøj i sikker afstand fra alle roterende dele, så du undgår at komme til skade. Lad aldrig motoren køre, mens dæksler, kapper og afskærmninger er afmonteret.	

BEMÆRK: Chokerens startposition kan variere afhængigt af temperaturen og andre faktorer. Når motoren kører og er varm, drejes chokeren over på FRA.

BEMÆRK: Træk af og til startersnoren helt ud for at inspicere dens tilstand. Hvis snoren er flosset, skal den straks udskiftes af en autoriseret Kohler-forhandler.

BEMÆRK: Forsøg ikke på at tørne motoren i mere end 10 sekunder ad gangen. Vent 60 sekunder, mens motoren køler ned, mellem hver startforsøg. Hvis du ikke overholder disse anvisninger, kan det medføre, at startermotoren brænder sammen.

BEMÆRK: Hvis motoren udvikler nok hastighed til at afbryde starteren, men ikke bliver ved med at køre (falsk start), skal motoren holde helt op med at rotere, inden du forsøger at starte motoren igen. Hvis starteren er aktiveret, mens svinghjulet drejer rundt, kan starterens spidshjul og svinghjulets startkrans bryde sammen og dermed beskadige starteren.

1. Drej brændstovventilen til positionen TIL (hvis monteret).
2. Drej kontakten til motor til/fra til positionen ON (hvis monteret).
3. Start motoren på følgende måde:

Kold motor: Sæt gasreguleringen i midterstilling mellem positionerne LANGSOM og HURTIG. Sæt chokergrebet i positionen TIL.

Varm motor: Sæt gasreguleringen i midterstilling mellem positionerne LANGSOM og

HURTIG. Sæt chokeren på FRA igen, når motoren starter. Normalt er det ikke nødvendigt at bruge choker, hvis motoren er varm.

4. Starter med snoretræk: Træk langsomt i starthåndtaget, til det netop passerer kompressionspunktet – STOP! Før startergrebet tilbage. Træk håndtaget lige ud for at undgå, at startersnoren slides for meget.

Elektrisk starter: Aktivér startkontakten. Slip kontakten, når motoren starter. Hvis starteren ikke tørner motoren, skal du slukke for starteren øjeblikkeligt. Forsøg ikke på at starte motoren igen, før fejlen i motoren er afhjulpet. Forsøg ikke på at chokstarte motoren. Kontakt din autoriserede Kohler-forhandler for at få udført en fejlanalyse.

5. Sæt gradvist chokerarmen tilbage i positionen FRA, når motoren er startet og varmer op. Motoren/udstyret kan anvendes under opvarmingsperioden, men det kan være nødvendigt kun at aktivere chokeren delvist, indtil motoren er varmet op.

Tips til start i koldt vejr

1. Brug olie, der er velegnet til den forventede temperatur.
2. Frakobl al ekstern belastning.
3. Brug frisk olie til vinterbrug. Olie til vinterbrug er flygtigere, hvilket gør det nemmere at starte.

Standstning af motoren

1. Fjern belastning ved evt. af frakoble PTO-drevet tilbehør.
2. Flyt gasreguleringsarmen (hvis monteret) til positionen langsom eller tomgang, og stop motoren.
3. Luk brændstovventilen (hvis monteret).

Driftsvinkel

Se betjeningsvejledningen til det udstyr, der er sluttet til denne motor. Motorens maksimale driftsvinkel må ikke overskrides. Se specifikationstabellen. Der kan opstå motorskade ved manglende smøring.

Motorhastighed

BEMÆRK: Undlad at ændre på regulatoren for at øge motorens hastighed. Overhastighed er farligt og vil ugyldiggøre garantien.

Drift i store højder

Med henblik på at sikre korrekt motordrift ved højder over 1.219 meter kan det være nødvendigt at installere et kaburatorsæt til brug i store højder. Du kan få oplysninger om sættet til store højde eller finde en autoriseret Kohler-forhandler ved at besøge KohlerEngines.com eller ringe 1-800-544-2444 (USA og Canada).

Denne motor skal drives i sin originale konfiguration under 1.219 meter, eftersom der kan opstå skader, hvis der monteres et kaburatorsæt til brug i store højder, og driften foregår i højder under 1.219 meter.

Tilslutning af karburator

BEMÆRK: Kørsel af motoren med dækslet placeret i positionen til drift i koldt vejr under normale forhold kan forårsage motorskader.


DA

Karburatoren kan blive tilsluttet ved bestemte kombinationer af temperatur og luftfugtighed. En tilsluttet karburator kan forårsage grov motorgang ved tomgang eller lave hastigheder såvel som sort eller hvid røg.

Med henblik på at reducere risikoen for karburatortilslutning kan luftfilterdækslet roteres for at trække varmere luft ind fra lydæmperens side. Ved drift i koldt vejr skal luftfilterdækslet placeres med sneafdækningen ude.

Ved normalt drift skal luftfilterdækslet placeres med solafdækning ude.

Vedligeholdelsesvejledning

	⚠ ADVARSEL	Før du udfører arbejde på motoren eller udstyret, skal du frakoble motoren på følgende måde: 1) Afbryd tændrørskablet eller -kablerne. 2) Frakobl det negative (-) batterikabel fra batteriet.
	Utilsluttet start kan medføre alvorlig personskade eller døden. Afbryd tændrørskabler, og forbind dem til jord før service.	

Normal vedligeholdelse, udskiftning eller reparation af emissionsbegrænsende udstyr og systemer kan udføres af et almindeligt værksted eller enkeltpersoner. Imidlertid skal garantireparationer udføres af en autoriseret Kohler-forhandler, der kan findes på KohlerEngines.com eller ved at ringe på 1-800-544-2444 (USA og Canada).

Vedligeholdelsesskema

Efter de første 5 timer

- Skift olie.

Årligt eller for hver 50 timer

- Servicér/udskift Quad-Clean_™-forfilter.

Årligt eller for hver 100 timer¹

- Rens luftfilterelementet med lav profil.
- Skift olie.
- Rengør køleområder.
- Udskift tændrøret, og indstil gabet.

For hver 200 timer²

- Kontrollér og justér ventilspillerummet, mens motoren er kold.

For hver 200 timer

- Udskift Quad-Clean_™-luftfilterelementet.

For hver 300 timer

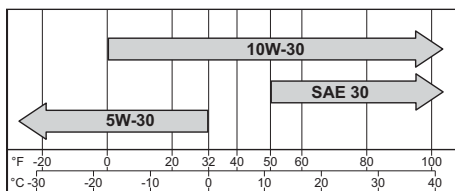
- Rens luftfilterelementet med lav profil.
- Kontrollér brændstoffiltre (tankudgangsfiltre og det indbyggede filter), og rengør og udskift om nødvendigt (hvis monteret).

¹Vedligeholdelsesprocedurerne skal udføres hyppigere i meget støvede og snavsede omgivelser.

² Får en autoriseret Kohler-forhandler til at udføre denne service.

Anbefalinger vedrørende olie

Vi anbefaler brug af olie fra Kohler af hensyn til optimal ydelse. Andre højkvalitative olier (herunder syntetiske) i API-serviceklasse (American Petroleum Institute) SJ eller højere er acceptable. Vælg viskositet på baggrund af lufttemperaturen ved driftstidspunktet som vist i tabellen nedenfor.



Kontrol af oliestand

BEMÆRK: Med henblik på at forebygge øget motorslitage eller -skade må motoren aldrig køre med en oliestand, der er lavere eller højere end det niveau, der fremgår af oliepinden.

Sørg for, at motoren er kold. Rengør oliepåfyldnings-/målepindområderne for urenheder.

1. Fjern oliepinden, og aftør olien.
2. Sæt oliepinden tilbage i røret, og lad den hvile på oliepåfyldningshullet, indtil hættens falder til det laveste punkt på gevindet. Undlad at dreje hættens fast i røret.

- Tag oliepinden op, og aflæs oliestanden. Oliestanden bør befinde sig øverst på oliepindens indikator.
eller
 - Fjern oliepåfyldningsproppen. Oliestanden bør være op til punktet på overfyldningshullet.
- Hvis oliestanden er lav, skal der tilsættes olie op til punktet på overfyldningshullet.
 - Sæt oliepinden eller oliepåfyldningsproppen tilbage på plads, og stram godt til.
- Oktantal på mindst 87 (R+M)/2.
 - RON (Research Octane Number) på mindst 90.
 - Benzin indeholdende op til 10 % ethylalkohol, 90 % blyfrit er tilladt.
 - Metyl-tertiær-butylæter (MTBE) og blyfri benzinblanding (maks. 15 masseprocent MTBE) er tilladt.
 - Undlad at blande olie i benzinen.
 - Undlad at overfylde tanken.
 - Benyt ikke benzin, der er ældre end 30 dage.

Skift olie

Skift olie, når motoren er varm

- Rengør området omkring oliepåfyldningsdækslet/oliepinden og aftappingsproppen.
- Fjern aftappingsproppen og oliepåfyldningsdækslet/oliepinden. Dræn al olien.
- Geninstaller aftappingsproppen. Spænd aftappingsproppen til et tilspændningsmoment på 17,6 Nm.
- Påfyld krumtaphuset med ny olie op til kanten af overfyldningshullet.
- Sæt oliepåfyldningsdækslet/oliepinden på igen, og stram godt til.
- Kassér brugt olie i overensstemmelse med lokale regulativer.

Oil Sentry™ (hvis monteret)

Denne kontakt har til formål at forhindre motorstart ved lav oliestand eller ved oliemangel. Oil Sentry™ vil muligvis ikke være i stand til at lukke en kørende motor ned, før der opstår motorskade. I visse situationer aktiverer denne kontakt muligvis et advarselssignal. Se manualerne til udstyret for at få yderligere oplysninger.

Anbefalet brændstof

	⚠ ADVARSEL
	Eksplodivt brændstof kan medføre brand og alvorlige forbrændinger. Undlad at fylde brændstoftanken, mens motoren er varm eller kører.
Benzin er meget brandfarligt, og benzindampe kan eksplodere, hvis de antændes. Opbevar altid benzin i godkendte beholdere i ikke-beboede bygninger med god ventilation og i god afstand fra gnister og flammer. Spildt brændstof kan antændes, hvis det kommer i kontakt med varme dele eller gnister fra tændingen. Brug aldrig benzin til rengøring.	

BEMÆRK: E15, E20 og E85 er IKKE godkendt og må IKKE benyttes. Skader, der opstår som følge af brug af gammel eller forurenset brændstof, er ikke dækket af garantien.

Brændstof skal imødekomme disse krav:

- Ren, ny blyfri benzin.

Tilføj brændstof

	⚠ ADVARSEL
	Eksplodivt brændstof kan medføre brand og alvorlige forbrændinger. Undlad at fylde brændstoftanken, mens motoren er varm eller kører.
Benzin er meget brandfarligt, og benzindampe kan eksplodere, hvis de antændes. Opbevar altid benzin i godkendte beholdere i ikke-beboede bygninger med god ventilation og i god afstand fra gnister og flammer. Spildt brændstof kan antændes, hvis det kommer i kontakt med varme dele eller gnister fra tændingen. Brug aldrig benzin til rengøring.	

Sørg for, at motoren er kold.

- Rengør området omkring brændstofdækslet.
- Fjern brændstofdækslet. Fyld op til kanten af påfyldningshullet. Undlad at overfylde tanken. Sørg for, at der er plads til, at brændstoffet kan udvide sig.
- Sæt brændstofdækslet på igen, og stram det godt.

Brændstofslange

Der skal være monteret brændstofslinger med lav gennemtrængning på karburerede motorer fra Kohler Co. med henblik på at overholde regulativerne EPA og CARB.

Brændstofventil

Motorerne er udstyret med en brændstofventil og indbygget filtersi på karburatorindgangen. Løsningen kontrollerer og filtrerer brændstoffstrømmen til karburatoren. Rens brændstofventilkoppen for urenheder.

- Fjern de to møtrikker, de to skruer og karburatorens dækpanel.
- Drej brændstofventilarmen til positionen FRA.
- Fjern brændstofventilkoppen. Fjern O-ringen og filtersien.
- Rengør sien og brændstofventilkoppen med et opløsningsmiddel, og aftør dem.
- Kontrollér, om sien og O-ringen er beskadiget og skal udskiftes.

- Sæt O-ringen tilbage på plads efterfulgt af brændstoftilkoppen. Roter brændstoftilkoppen med håndkraft. Spænd efter med en skrueøgle med 1/2 til 3/4 omgang.
- Drej brændstoftventilen til positionen TIL, og kontrollér for lækager. Hvis brændstoftventilen lækker, skal trin 5 og 6 gentages.
- Stram omhyggeligt brændstofdækslet.
- Sæt karburatorens dækpanel tilbage, og fastgør den med de dele, der blev fjernet i trin 1.



vejr (sneafdækning ude). Placer palerne under basens tapper. Løft op i øserne for at fastgøre dækslet.

DA

Lav profil

- Fjern skruen og luftfilterdækslet.
- Fjern skumfilterelementet fra basen.
- Vask skumelementet i varmt vand tilsat rengøringsmiddel. Skyl og lufttør.
- Smør skumelementet let med ny motorolie, og pres overskydende olie ud.
- Sæt skumelementet tilbage i basen.
- Geninstallér dækslet, og fastgør det med skruen.

Tændrør

	 FORSIGTIG
	<p>Elektrisk stød kan medføre personskaade.</p> <p>Undlad at berøre ledningerne, når motoren kører.</p>

Rengør tændrørets forsænkning. Fjern tændrøret, og sæt det tilbage.

- Kontrollér gnistgabets ved hjælp af et søgerblad. Juster gabet. Se specifikations Tabellen vedr. justering.
- Montér tændrøret i cylinderhovedet.
- Stram tændrøret til et tilspændingsmoment på 27 Nm.

Luftfilter

BEMÆRK: Kørsel af motoren med dækslet placeret i positionen til drift i koldt vejr under normale forhold kan forårsage motorskader.

BEMÆRK: Kørsel af motoren med løse eller beskadigede luftfilterkomponenter kan forårsage øget slitage og funktionssvigt. Udskift alle bøjede eller beskadigede dele.

BEMÆRK: Papirelementet kan ikke blæses ud med trykluft.

Quad-Clean™

Skub øserne på luftfilteret nedad. Fjern palerne under tapperne på basen. Fjern dækslet.

Forfilter:

- Fjern forfilteret fra papirelementet.
- Udskift eller vask forfilteret i varmt vand tilsat rengøringsmiddel. Skyl og lufttør.
- Smør forfilteret let med ny motorolie, og pres overskydende olie ud.
- Geninstallér forfilteret over papirelementet.

Papirelement:

- Adskil forfilteret fra elementet. Servicér forfilteret, og udskift papirelementet.
- Montér det nye papirelement på basen. Installér forfilteret over papirelementet.

Placer luftfilterdækslet i positionen til normal drift (solafdækning ude) eller til brug i koldt

Udluftningsslange

Kontrollér, at begge ender af udluftningsslangen er korrekt tilsluttet.

Luftkøling

	 ADVARSEL
	<p>Varme dele kan medføre alvorlige forbrændinger.</p> <p>Undlad at berøre motoren under drift eller lige efter standning.</p>
<p>Lad aldrig motoren køre, når varmeskærme og afskærmninger er afmonteret.</p>	

Korrekt køling er altoverskyggende. Med henblik på at forebygge overophedning skal skærme, køleribber og andre udvendige overflader på motoren rengøres. Undgå at sprøjte vand på ledningsnettet og alle elektriske komponenter. Se vedligeholdelsesskema.

Reparationer/reservedele

Vi anbefaler, at du benytter dig af en autoriseret Kohler-forhandler i forbindelse med al vedligeholdelse, service og udskiftning af motordele. Der findes oplysninger om autoriserede Kohler-forhandlere på KohlerEngines.com. Du kan også ringe på 1-800-544-2444 (USA og Canada).

Opbevaring

Hvis motoren ikke skal være i drift i to måneder eller mere, skal nedenstående procedure følges.

- Tilsæt Kohler PRO Series-brændstofconditioner eller tilsvarende til brændstoftanken. Lad motoren køre i 2-3 minutter for at få stabiliseret brændstof ind i brændstofsyste-met (fejlf. ubehandlet brændstof er ikke dækket af garantien).
- Skift olie, mens motoren stadig er varm efter brug. Fjern tændrøret eller tændrørene, og tilsæt ca. 30 ml til cylinderen eller cylindrene. Sæt tændrøret eller tændrørene tilbage, og tørn langsomt motoren for at fordele olien.
- Afbryd det negative (-) batterikabel.
- Opbevar motoren på et rent og tørt sted.

Fejlfinding

Forsøg ikke selv at reparere eller udskifte større motorkomponenter eller andre elementer, der kræver særlig justering af timing eller indstilling. Dette arbejde bør udføres af en autoriseret Kohler-forhandler.

Problem	Mulig årsag							
	Ingen brændstof	Forkert brændstof	Snavs i brændstofslangen	Snavs i smudsfilter	Forkert oliestand	Motoren er overbelastet	Snavset luftfilter	Tændrøret er defekt
Vil ikke starte	•	•	•		•	•	•	•
Svær at starte		•	•		•	•	•	•
Stopper pludselig	•		•	•	•	•	•	•
Mangler kraft		•	•	•	•	•	•	•
Kører ujævnt		•	•	•		•	•	•
Banker eller pinger		•		•		•		•
Fejltænder eller sætter ud		•	•	•			•	•
Slår tilbage		•	•			•	•	•
Overopheder		•	•	•	•	•	•	
Højt brændstofforbrug						•	•	•

Motorspecifikationer

Model	Boring	Slaglængde	Slagvolumen	Oliekapacitet (genpåfyldning)	Gnistgab	Maksimal driftsvinkel (ved fuld oliestand)*
CH260	70 mm	54 mm	208 ccm	0,60 L	0,76 mm	25°
CH270						
CH395	78 mm	58 mm	277 ccm	1,1 L		
CH440	89 mm	69 mm	429 ccm			

*Overskridelse af driftsvinklen kan forårsage motorskader pga. utilstrækkelig smøring.

Yderligere oplysninger om specifikationer findes i servicehåndbogen på KohlerEngines.com.

Emissionskontrollsystemet for udstødning for modellerne CH260, CH270, CH395, CH440 er EM for det amerikanske EPA, Californien og Europa.

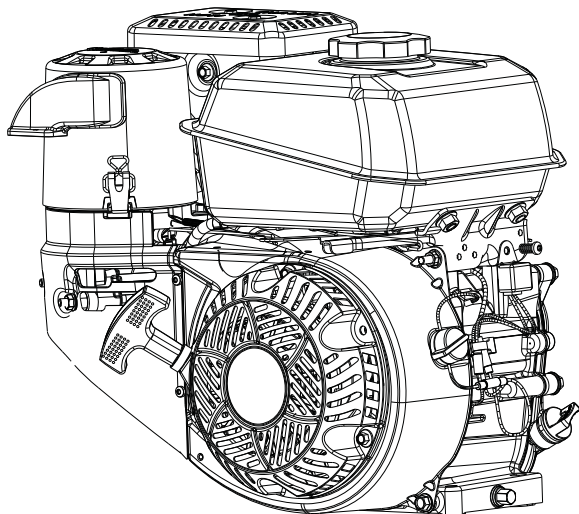
Alle referencer til hestekræfter (hk) fra Kohler er certificerede effektal og gældende iht. hk-standarderne SAE J1940 og J1995. Der findes flere oplysninger om certificerede effektal på KohlerEngines.com.

KOHLER® Command PRO®

CH260, CH270, CH395, CH440

Betriebsanleitung

DE



WICHTIG: Lesen Sie alle Bedienungs- und Sicherheitshinweise, bevor Sie die Maschine in Betrieb nehmen. Lesen Sie ebenfalls die Betriebsanleitung der vom Motor angetriebenen Maschine.

Vergewissern Sie sich vor Wartungseingriffen, dass der Motor abgestellt ist und einwandfrei eben steht.

Der Umfang der Garantieleistung ist auf der Garantiekarte und auf der Website KohlerEngines.com beschrieben. Informieren Sie sich über die Garantiebestimmungen, denn darin sind Ihre Rechte und Verpflichtungen definiert.

Tragen Sie hier die Kenndaten des Motors ein, um sie zur Ersatzteilbestellung oder Inanspruchnahme der Garantie zur Hand zu haben.

Motormodell _____

Ausführung _____

Seriennummer _____

Kaufdatum _____

Sicherheitshinweise

- ⚠️ WARNUNG:** Hinweis auf eine Gefährdung, die schwere bzw. tödliche Verletzungen oder erhebliche Sachschäden zur Folge haben kann.
- ⚠️ ACHTUNG:** Hinweis auf eine Gefährdung, die weniger schwere Verletzungen und Sachschäden zur Folge haben kann.


HINWEIS: Kennzeichnet wichtige Installations-, Bedienungs- und Serviceinformationen.

 	<p>⚠️ WARNUNG</p> <p>Explosiver Kraftstoff kann Brände und schwere Verbrennungen verursachen.</p> <p>Füllen Sie keinen Kraftstoff in den Tank, während der Motor läuft oder stark erhitzt ist.</p>
<p>Benzin ist hochentzündlich und bildet explosive Dämpfe. Lagern Sie Benzin ausschließlich in typgeprüften Behältern in einem gut belüfteten, unbewohnten Gebäude und achten Sie auf einen ausreichendem Abstand zu Funkenflug und offenem Licht. Verschütteter Kraftstoff kann sich entzünden, wenn er mit heißen Motorkomponenten oder Funken der Zündanlage in Berührung kommt. Verwenden Sie grundsätzlich kein Benzin als Reinigungsmittel.</p>	

	<p>⚠️ WARNUNG</p> <p>Kohlenmonoxid verursacht starke Übelkeit, Ohnmacht und tödliche Vergiftungen.</p> <p>Vermeiden Sie das Einatmen von Abgasen.</p>
<p>Motorabgase enthalten giftiges Kohlenmonoxid. Kohlenmonoxid ist geruchlos, farblos und kann, wenn es eingeatmet wird, tödliche Vergiftungen verursachen.</p>	

  	<p>⚠️ WARNUNG</p> <p>Bei einem unerwarteten Anspringen des Motors besteht Gefahr für Leib und Leben.</p> <p>Ziehen Sie vor Wartungseingriffen den Zündkerzenstecker ab und legen Sie ihn an Masse.</p>
<p>Verhindern Sie ein unerwartetes Anspringen des Motors, bevor sie Arbeiten an Motor oder Maschine ausführen: 1) Ziehen Sie den (die) Zündkerzenstecker ab. 2) Klemmen Sie das Massekabel (-) der Batterie ab.</p>	

	<p>⚠️ WARNUNG</p> <p>Rotierende Teile können schwere Verletzungen verursachen.</p> <p>Halten Sie ausreichenden Abstand zum laufenden Motor.</p>
<p>Achtung - Unfallgefahr. Halten Sie mit Händen, Füßen, Haaren und Kleidung stets ausreichenden Abstand zu allen Bewegungsteilen. Lassen Sie den Motor nicht ohne Schutzgitter, Luftleitbleche und Schutzabdeckungen laufen.</p>	



	<p>⚠️ ACHTUNG</p> <p>Verletzungsgefahr durch elektrischen Schlag.</p> <p>Berühren Sie bei laufendem Motor keine Kabel der Elektrik.</p>
---	--

	<p>⚠️ WARNUNG</p> <p>An stark erhitzten Motorkomponenten besteht die Gefahr schwerer Verbrennungen.</p> <p>Berühren Sie den Motor nicht, wenn er läuft oder erst kurz zuvor abgestellt wurde.</p>
<p>Nehmen Sie den Motor nicht ohne Hitzeschutzschilder und Schutzabdeckungen in Betrieb.</p>	



Proposition 65 des Bundesstaates Kalifornien

Die Abgase dieses Motors enthalten chemische Stoffe, die nach Kenntnis des Bundesstaates Kalifornien Krebs, Missbildungen und andere Reproduktionsschäden hervorrufen können.

Motorstart

	 WARNUNG
	Kohlenmonoxid verursacht starke Übelkeit, Ohnmacht und tödliche Vergiftungen. Vermeiden Sie das Einatmen von Abgasen.

Motorabgase enthalten giftiges Kohlenmonoxid. Kohlenmonoxid ist geruchlos, farblos und kann, wenn es eingeatmet wird, tödliche Vergiftungen verursachen.

	 WARNUNG
	Rotierende Teile können schwere Verletzungen verursachen. Halten Sie ausreichenden Abstand zum laufenden Motor.

Achtung - Unfallgefahr. Halten Sie mit Händen, Füßen, Haaren und Kleidung stets ausreichenden Abstand zu allen Bewegungsteilen. Lassen Sie den Motor nicht ohne Schutzgitter, Luftleitbleche und Schutzabdeckungen laufen.

HINWEIS: Die zum Motorstart erforderliche Chokeposition ist von der Temperatur und anderen Faktoren abhängig. Stellen Sie den Chokehebel auf OFF, sobald der Motor seine Betriebstemperatur erreicht hat.

HINWEIS: Ziehen Sie das Anlasserseil in regelmäßigen Abständen zur Kontrolle komplett heraus. Lassen Sie ein ausgefranztes Seil umgehend von einem Kohler-Fachhändler auswechseln.

HINWEIS: Drehen Sie den Motor nicht länger als 10 Sekunden mit dem Anlasser durch. Zwischen den Startversuchen muss der Motor jeweils 60 Sekunden lang abkühlen. Bei Nichtbeachtung dieser Vorschrift kann der Anlassermotor durchbrennen.

HINWEIS: Wenn der Motor genügend Schwung hat, um den Anlasser einzuspüren, und dann nicht weiterläuft (Fehlstart), muss er vor einem erneuten Startversuch erst vollständig zum Stillstand kommen. Falls der Anlasser in das rotierende Schwungrad eingespurt wird, können Anlasserritzel und Schwungradzahnkranz gegeneinander schlagen und wird der Anlasser beschädigt.

1. Stellen Sie das Kraftstoff-Absperrventil auf ON (falls eingebaut).
2. Schalten Sie den Ein/Aus-Schalter des Motors auf ON (falls eingebaut).
3. Starten Sie den Motor wie folgt.

Kaltstart: Bringen Sie den Gashebel in die Mittelstellung zwischen LANGSAM und SCHNELL. Stellen Sie den Chokehebel auf EIN.

Warmstart: Bringen Sie den Gashebel in die Mittelstellung zwischen LANGSAM und SCHNELL. Stellen Sie den Chokehebel sofort nach dem Anspringen des Motors auf OFF. Für einen Warmstart ist im Allgemeinen kein Choke erforderlich.

4. Seilzuganlasser: Ziehen Sie den Griff langsam bis zum Verdichtungstakt heraus - UND STOPP! Lassen Sie den Griff des Anlassers zurücklaufen. Ziehen Sie ihn dann energisch geradlinig heraus, damit das Seil nicht an der Seilzugführung scheuert.

Elektrostarter: Betätigen Sie den Startschalter. Lassen Sie den Schalter los, sobald der Motor anspringt. Falls der Anlasser den Motor nicht durchdreht, müssen Sie ihn sofort ausschalten. Unternehmen Sie keine weiteren Startversuche, bevor das Problem behoben ist. Starten Sie den Motor nicht mit einer Starthilfebatterie. Wenden Sie sich zur Fehlersuche an Ihren Kohler-Fachhändler.

5. Stellen Sie den Chokehebel, sobald der Motor angesprungen ist und warmläuft, in mehreren Schritten in die OFF-Stellung zurück. Die Maschine kann auch während des Warmlaufens vom Motor angetrieben werden. Der Choke muss dabei evtl. in Mittelstellung bleiben, bis der Motor Betriebstemperatur erreicht hat.

Tipps für den Motorstart bei niedrigen Temperaturen

1. Verwenden Sie ein für die Temperatur der Einsatzumgebung geeignetes Öl.
2. Trennen Sie alle Kraftabnahmen vom Motor.
3. Verwenden Sie frischen Winterkraftstoff. Winterkraftstoff hat eine höhere Flüchtigkeit, was den Motorstart erleichtert.

Motorabstellen

1. Trennen Sie möglichst alle Kraftabnahmen, indem Sie die gelenkwellengetriebenen Aggregate ausschalten.
2. Bringen Sie den Gashebel (falls eingebaut) in die Langsam- oder Leerlaufstellung und stellen Sie dann den Motor ab.
3. Schließen Sie das Kraftstoff-Absperrventil (falls eingebaut).

Betriebswinkel

Lesen Sie die Betriebsanleitung der vom Motor angetriebenen Maschine. Betreiben Sie den Motor nicht außerhalb seines zulässigen Betriebswinkelbereichs, der in der Tabelle der technischen Daten angegeben ist. Eine unzureichende Schmierung kann zu einem Motorschaden führen.

DE

Motordrehzahl

HINWEIS: Verstellen Sie nicht den Drehzahlregler und versuchen Sie nicht, die Motordrehzahl zu erhöhen. Ein Überdrehen des Motors ist gefährlich und führt zum Erlöschen des Garantieanspruchs.

Betrieb bei geringem Luftdruck

Für einen korrekten Betrieb des Motors in Höhen über 1219 Metern (4000 ft) muss u. U. eine spezielle Höhenkorrekturdüse eingebaut werden. Weitere Auskünfte zur Höhenkorrekturdüse und die Anschrift des nächsten Kohler-Fachhändlers finden Sie auf KohlerEngines.com bzw. erhalten Sie unter der Rufnummer +1-800-544-2444 (USA und Kanada).

Dieser Motor muss in Höhen unter 1219 Metern (4000 ft.) ü. NN in seiner Originalkonfiguration betrieben werden, da die Höhenkorrekturdüse in geringeren Höhen Motorschäden verursachen kann.

Vereisen des Vergasers



HINWEIS: Wenn der Luftfilterdeckel bei normalen Temperaturen auf Winterbetrieb gestellt ist, sind Motorschäden möglich.

Der Vergaser kann vereisen, wenn bestimmte Temperatur- und Feuchtigkeitsbedingungen zusammentreffen. Folgen eines vereisten Vergasers sind ein unrunder Lauf im unteren Drehzahlbereich sowie schwarzer oder weißer Abgasrauch.

Um ein mögliches Vereisen des Vergasers zu verhindern, können Sie den Luftfilterdeckel so drehen, dass wärmere Luft aus dem Bereich des Abgasschalldämpfers angesaugt wird. Drehen Sie den Luftfilterdeckel für den Einsatz im Winter mit dem Schneeflocken-Symbol nach außen.

Bei Normalbetrieb muss das Sonnen-Symbol am Luftfilterdeckel nach außen zeigen.

Wartungshinweise

	 WARNUNG	Sorgen Sie vor allen Arbeiten an Motor oder Gerät dafür, dass der Motor nicht anspringen kann: 1) Ziehen Sie den (bzw. die) Zündkerzenstecker ab. 2) Klemmen Sie das Massekabel (-) der Batterie ab.
	Bei einem unerwarteten Anspringen des Motors besteht Gefahr für Leib und Leben. Ziehen Sie vor Wartungseingriffen den (die) Zündkerzenstecker ab und legen Sie ihn (sie) an Masse.	

Jede Werkstatt oder Fachperson darf normale Wartungsarbeiten ausführen und Komponenten bzw. Aggregate des Emissionsminderungssystems auswechseln oder reparieren. Garantiarbeiten müssen jedoch grundsätzlich von einem Kohler-Fachhändler durchgeführt werden. Händler-Anschriften finden Sie auf KohlerEngines.com bzw. erhalten Sie unter der Rufnummer +1-800-544-2444 (USA und Kanada).

Wartungsplan

Nach den ersten 5 Betriebsstunden

- Öl wechseln.

Alle 50 Betriebsstunden oder jährlich

- Quad-Clean[™]-Vorfilter warten/ersetzen.

Alle 100 Betriebsstunden oder jährlich¹

- Niedrigprofil-Luftfilterelement reinigen.
- Öl wechseln.
- Kühlflächen säubern.
- Zündkerze ersetzen und Elektrodenabstand einstellen.

Alle 200 Betriebsstunden²

- Am kalten Motor das Ventilspiel kontrollieren und einstellen.

Alle 200 Betriebsstunden

- Quad-Clean[™]-Luftfilterelement ersetzen.

Alle 300 Betriebsstunden

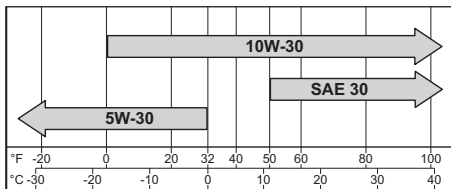
- Niedrigprofil-Luftfilterelement ersetzen.
- Die Kraftstofffilter kontrollieren (Filter im Tankanschluss und Leitungsfiter) und reinigen bzw. bei Bedarf ersetzen (falls eingebaut).

¹Diese Wartungseingriffe bei extrem staubigen oder schmutzbelasteten Einsatzbedingungen häufiger ausführen.

² Diese Wartungseingriffe müssen von einem Kohler-Fachhändler ausgeführt werden.

Wichtige Hinweise zum Motoröl

Kohler empfiehlt für eine optimale Motorleistung die Verwendung von Kohler-Motorölen. Es können auch sonstige Qualitäts-Motoröle mit Detergent-Zusatz (einschließlich Synthetiköle) gemäß API-Klassifikation SJ oder höher verwendet werden. Wählen Sie die Ölviskosität in Funktion der Umgebungstemperatur bei Betrieb des Motors (siehe die nachstehende Tabelle).



Ölstandskontrolle

HINWEIS: Verhindern Sie übermäßigen Motorverschleiß und Motorschäden. Nehmen Sie den Motor nicht in Betrieb, wenn der Ölstand unter oder über der Markierung am Messstab liegt.

Vergewissern Sie sich, dass der Motor abgekühlt ist. Säubern Sie den Bereich um dem Einfüllverschluss mit Ölmesstab.

1. Ziehen Sie den Messstab heraus und wischen Sie ihn ab.
2. Setzen Sie den Messstab bis zum Anschlag wieder in das Rohr ein, und drehen Sie ihn nach links, bis er am untersten Gewindegang aufliegt. Schrauben Sie ihn jedoch nicht am Rohr fest.

- a. Ziehen Sie den Ölmesstab heraus und kontrollieren Sie den Ölstand. Der Füllstand muss die Oberkante der Messstab-Markierung erreichen.
oder
 - b. Nehmen Sie den Einfüllverschluss ab. Der Füllstand muss die Unterkante der Kontroll- und Einfüllöffnung erreichen.
3. Füllen Sie bei Ölmenge bis zur Kontroll- und Einfüllöffnung Öl nach.
 4. Bringen Sie den Messstab oder Einfüllverschluss wieder an und ziehen Sie ihn fest.

Ölwechsel

Wechseln Sie das Öl, solange der Motor warm ist.

1. Säubern Sie den Bereich um Öleinfüllverschluss und Ablassschraube.
2. Entfernen Sie die Ablassschraube und den Einfüllverschluss. Lassen Sie das gesamte Öl abfließen.
3. Schrauben Sie die Ablassschraube wieder ein und ziehen Sie sie mit 17,6 Nm (13 ft. lb.) fest.
4. Füllen Sie das Kurbelgehäuse bis zur Kontroll- und Einfüllöffnung mit Frischöl.
5. Bringen Sie Öleinfülldeckel und Ölmesstab wieder an. Schrauben Sie den Deckel fest.
6. Entsorgen Sie das Altöl entsprechend den gesetzlichen Vorschriften.

Oil Sentry-Schalter™ (falls eingebaut)

Dieser Schalter soll verhindern, dass der Motor ohne oder mit zu wenig Öl gestartet wird. Der Oil Sentry™-Schalter stellt einen laufenden Motor jedoch nicht unbedingt ab, bevor ein Schaden eingetreten ist. In bestimmten Konfigurationen kann dieser Schalter ein Warnsignal aktivieren. Weitere Informationen enthält die Betriebsanleitung der jeweiligen Maschine.

Wichtige Hinweise zum Kraftstoff

	<p>⚠️ WARNUNG</p> <p>Entzündbarer Kraftstoff kann Brände und schwere Verbrennungen verursachen.</p> <p>Füllen Sie keinen Kraftstoff in den Tank, während der Motor läuft oder stark erhitzt ist.</p>
	<p>Benzin ist hochentzündlich und bildet explosive Dämpfe. Lagern Sie Benzin ausschließlich in typgeprüften Behältern in einem gut belüfteten, unbewohnten Gebäude in ausreichendem Abstand zu Funkenflug und offenem Licht. Verschütteter Kraftstoff kann sich entzünden, wenn er mit heißen Motorkomponenten oder Funken der Zündanlage in Berührung kommt. Verwenden Sie grundsätzlich kein Benzin als Reinigungsmittel.</p>

HINWEIS: Die Kraftstoffsorten E15, E20 und E85 sind NICHT zugelassen und dürfen NICHT verwendet werden. Schäden durch überalterten, abgestandenen oder verschmutzten Kraftstoff sind nicht durch die Garantie gedeckt.

Der Kraftstoff muss folgende Anforderungen erfüllen:

- Sauberes, frisches, unverbleites Benzin.
- Oktanzahl 87 oder höher.
- Research-Oktanzahl (RON) von mindestens 90.
- Gemische aus bis maximal 10 % Äthylalkohol und 90 % bleifreiem Benzin dürfen verwendet werden.
- Gemische aus Methyltertiärbuthylether (MTBE) und bleifreiem Benzin (maximal 15 % Volumenanteil MTBE) sind als Kraftstoff zugelassen.
- Mischen Sie kein Öl in das Benzin.
- Überfüllen Sie den Kraftstofftank nicht.
- Verwenden Sie kein Benzin, das Sie mehr als 30 Tage gelagert haben.

Kraftstoff einfüllen

	<p>⚠️ WARNUNG</p> <p>Explosiver Kraftstoff kann Brände und schwere Verbrennungen verursachen.</p> <p>Füllen Sie keinen Kraftstoff in den Tank, während der Motor läuft oder stark erhitzt ist.</p>
	<p>Benzin ist hochentzündlich und bildet explosive Dämpfe. Lagern Sie Benzin ausschließlich in typgeprüften Behältern in einem gut belüfteten, unbewohnten Gebäude und achten Sie auf einen ausreichendem Abstand zu Funkenflug und offenem Licht. Verschütteter Kraftstoff kann sich entzünden, wenn er mit heißen Motorkomponenten oder Funken der Zündanlage in Berührung kommt. Verwenden Sie grundsätzlich kein Benzin als Reinigungsmittel.</p>

Vergewissern Sie sich, dass der Motor abgekühlt ist.

1. Säubern Sie den Bereich um den Tankdeckel.
2. Nehmen Sie den Tankdeckel ab. Füllen Sie bis zum Stutzenansatz Kraftstoff ein. Überfüllen Sie den Kraftstofftank nicht. Lassen Sie genügend Freiraum für eine Wärmeausdehnung des Kraftstoffs.
3. Bringen Sie den Tankdeckel wieder an und ziehen Sie ihn gut fest.

Kraftstoffleitung


Auf Kohler-Motoren mit Vergaser muss zur Einhaltung der EPA- und CARB-Emissionsvorschriften eine Kraftstoffleitung mit geringer Permeation installiert sein.

Kraftstoffventil

Am Vergasereintritt ist ein Kraftstoffventil mit Filtersieb montiert. Es regelt und filtert den Kraftstofffluss vom Tank zum Vergaser. Säubern Sie den Schmutzabscheider des Kraftstoffventils.

1. Entfernen Sie die zwei Muttern, zwei Schrauben und den Vergaserdeckel.
2. Drehen Sie den Hebel des Kraftstoffventils auf OFF.
3. Nehmen Sie den Schmutzabscheider vom Kraftstoffventil ab. Entfernen Sie den O-Ring und das Filtersieb.
4. Reinigen Sie Sieb und Schmutzabscheider mit Lösungsmittel und wischen Sie sie trocken.
5. Kontrollieren Sie Sieb und O-Ring auf Schäden und ersetzen Sie sie bei Bedarf.
6. Bringen Sie O-Ring und Schmutzabscheider wieder an. Schrauben Sie den Schmutzabscheider von Hand fest. Ziehen Sie ihn mit einem Schlüssel um 1/2 bis 3/4 Drehung nach.
7. Stellen Sie das Kraftstoffventil auf ON und prüfen Sie auf Undichtigkeiten. Wenn das Kraftstoffventil undicht ist, wiederholen Sie Schritt 5 und 6.
8. Ziehen Sie den Tankdeckel gut fest.
9. Befestigen Sie den Vergaserdeckel mit den bei Schritt 1 abgenommenen Schrauben und Muttern.

Zündkerzen

	⚠ ACHTUNG
	Verletzungsgefahr durch elektrischen Schlag. Berühren Sie bei laufendem Motor keine Kabel der Elektrik.

Säubern Sie den Bereich um die Zündkerze. Bauen Sie die Zündkerze aus und ersetzen Sie sie.

1. Kontrollieren Sie den Elektrodenabstand mit einer Fühlerlehre. Stellen Sie den Elektrodenabstand entsprechend den Angaben in der Tabelle ein.
2. Schrauben Sie die Zündkerze wieder am Zylinderkopf ein.
3. Ziehen Sie sie mit 27 Nm (20 ft. lb.) fest.

Luftfilter

HINWEIS: Wenn der Luftfilterdeckel bei normalen Temperaturen auf Winterbetrieb gestellt ist, sind Motorschäden möglich.

HINWEIS: An gelockerten oder schadhaften Luftfilterkomponenten kann ungefilterte Luft in den Motor gelangen und zu vorzeitigem Verschleiß oder dem Ausfall des Motors führen. Ersetzen Sie alle verbogenen oder schadhaften Komponenten.

HINWEIS: Das Papierfilterelement darf nicht mit Druckluft ausgeblasen werden.

Quad-Clean™

Lösen Sie die Spannklammern am Luftfilterdeckel, nehmen Sie sie aus den Laschen am Gehäuse und heben Sie den Deckel ab.

Vorfilter:

1. Nehmen Sie den Vorfilter vom Papierfilterelement ab.
2. Ersetzen Sie den Vorfilter oder waschen Sie ihn in lauwarmem Seifenwasser. Spülen Sie ihn aus und lassen Sie ihn an der Luft trocknen.
3. Benetzen Sie den Vorfilter mit frischem Motoröl und pressen Sie das überschüssige Öl heraus.
4. Bringen Sie den Vorfilter wieder am Papierfilterelement an.

Papiereinsatz:

1. Trennen Sie den Vorfilter vom Filterelement; reinigen Sie den Vorfilter und ersetzen Sie das Papierfilterelement.
2. Setzen Sie ein neues Papierfilterelement in das Unterteil ein und bringen Sie den Vorfilter darauf an.

Drehen Sie den Luftfilterdeckel in die Stellung für Normalbetrieb (Sonnen-Symbol außen) oder Winterbetrieb (Schneeflocken-Symbol außen); setzen Sie die Spannklammern in die Laschen am Unterteil ein und fixieren Sie den Deckel mit den Klammern.

Niedrigprofil-Luftfilter

1. Entfernen Sie Schraube und Luftfilterdeckel.
2. Nehmen Sie den Schaumstoffeinsatz aus dem Unterteil.
3. Waschen Sie den Schaumstoffeinsatz in lauwarmem Seifenwasser. Spülen Sie ihn aus und lassen Sie ihn an der Luft trocknen.
4. Benetzen Sie den Schaumstoffeinsatz mit frischem Motoröl und pressen Sie das überschüssige Öl heraus.
5. Setzen Sie den Schaumstoffeinsatz wieder in das Unterteil ein.
6. Bringen Sie den Deckel wieder an und sichern Sie ihn mit der Schraube.

Entlüfterrohr

Achten Sie darauf, dass beide Enden der Entlüfterleitung korrekt angeschlossen sind.

Luftkühlung

	<p>! WARNUNG</p> <p>An stark erhitzten Motorkomponenten besteht die Gefahr schwerer Verbrennungen.</p> <p>Berühren Sie keinen Motor, der läuft oder erst kurz zuvor abgestellt wurde.</p>
<p>Lassen Sie den Motor nicht ohne Hitzeschutzschilder und Schutzabdeckungen laufen.</p>	

Eine einwandfreie Kühlung ist maßgeblich wichtig. Säubern Sie Schutzgitter, Kühlrippen und die Außenflächen des Motors, um ein mögliches Überhitzen zu verhindern. Achten Sie darauf, dass kein Wasser auf den Kabelbaum oder die elektrischen Komponenten spritzt. Halten Sie die Wartungsintervalle ein.

Ersatzteile

Der Hersteller empfiehlt, alle Instandsetzungs-, Wartungs- und Reparaturarbeiten am Motor von einem Kohler-Fachhändler ausführen zu lassen. Die Anschrift eines Kohler-Fachhändlers in Ihrer Nähe finden Sie auf der Website KohlerEngines.com bzw. erhalten Sie unter der Rufnummer +1-800-544-2444 (USA und Kanada).

Lagerung

Wenn der Motor länger als 2 Monate außer Betrieb war, müssen Sie ihn nach folgendem Verfahren vorbereiten.

1. Füllen Sie das Kraftstoffadditiv Kohler PRO Series oder ein gleichwertiges Produkt in den Kraftstoff im Tank. Lassen Sie den Motor 2-3 Minuten lang laufen, so dass sich die Kraftstoffanlage mit stabilisiertem Kraftstoff füllen kann (Schäden durch unbehandelten Kraftstoff sind nicht durch die Garantie gedeckt).
2. Wechseln Sie das Öl, solange der Motor noch betriebswarm ist. Schrauben Sie die Zündkerze(n) heraus und füllen Sie ca. 30 cm³ (1 oz.) Motoröl in den (die) Zylinder. Bauen Sie die Zündkerze(n) wieder ein und drehen Sie den Motor langsam mit dem Anlasser durch, damit sich das Öl verteilt.
3. Klemmen Sie das Massekabel (-) der Batterie ab.
4. Lagern Sie den Motor an einem sauberen, trockenen Ort.

Fehlersuche

Versuchen Sie nicht, Hauptmotorkomponenten oder Aggregate, die eine spezielle Einstellung erfordern, zu warten oder auszutauschen. Derartige Arbeiten müssen von einem Kohler-Fachhändler ausgeführt werden.

Problem	Mögliche Ursache							
	Kein Kraftstoff	Falscher Kraftstoff	Schmutz in Kraftstoffleitung	Ver- schmutzter Ölstand nicht korrekt	Motor überlastet	Luftfilter ver- schmutzt	Zünd- kerze defekt	
Motor startet nicht	•	•	•		•	•	•	•
Anlasschwierigkeiten		•	•		•	•	•	•
Motor wird abgewürgt	•		•	•	•	•	•	•
Leistungsverlust		•	•	•	•	•	•	•
Unrunder Lauf		•	•	•		•	•	•
Motor klopft oder klingelt		•		•		•		•
Aussetzer oder Fehlzündungen		•	•	•			•	•
Zurückschlagen		•	•			•	•	•
Motor überhitzt		•	•	•	•	•	•	
Hoher Kraftstoffverbrauch						•	•	•

Technische Daten des Motors

Modell	Bohrung	Hub	Hubraum	Ölfüllmenge (Nachfüllen)	Elektroden- abstand	Maximaler Betriebswinkel (bei max. Ölstand)*
CH260	70 mm (2.8 in.)	54 mm (2.1 in.)	208 cm³ (12.7 in.)	0,60 l (0.63 U.S. qt.)	0,76 mm (0.03 in.)	25°
CH270						
CH395	78 mm (3.1 in.)	58 mm (2.3 in.)	277 cm³ (16.9 in.)	1,1 l (1.16 U.S. qt.)		
CH440	89 mm (3.5 in.)	69 mm (2.7 in.)	429 cm³ (24.7 in.)			

*Ein höherer Betriebswinkel als zulässig kann zu Motorschäden durch unzureichende Schmierung führen.

Weitere technische Daten enthält das Servicehandbuch auf der Website KohlerEngines.com.

Abgasemissions-Minderungssystem für Modell CH260, CH270, CH395, CH440 vom Typ EM gemäß Vorschriften der US-Umweltbehörde, des Bundesstaates Kalifornien und EG-Richtlinien.

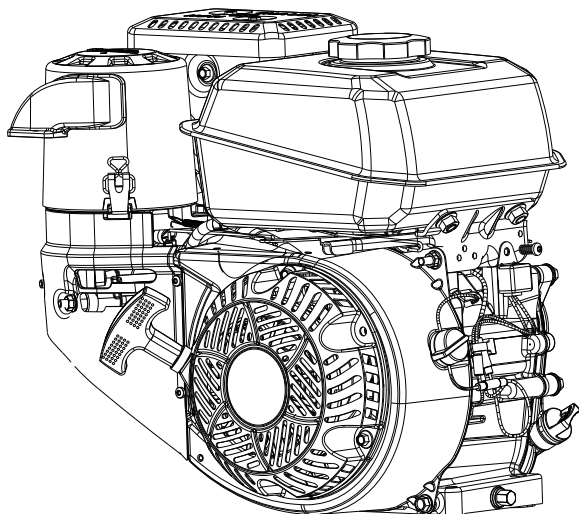
Sämtliche Kohler Leistungsangaben in PS basieren auf zertifizierten Leistungsmessungen und den SAE-Normen J1940 und J1995. Detailangaben zu den zertifizierten Leistungsmessungen finden Sie auf der Website KohlerEngines.com.

KOHLER® Command PRO®

CH260, CH270, CH395, CH440

Manual del usuario

ESE



IMPORTANTE: Lea atentamente todas las instrucciones y precauciones de seguridad antes de poner el equipo en funcionamiento. Consulte las instrucciones de funcionamiento del equipo impulsado por este motor.

Asegúrese de que el motor está parado y nivelado antes de realizar tareas de mantenimiento o reparación.

La cobertura de la garantía se indica en la tarjeta de la garantía y en KohlerEngines.com. Léala atentamente, ya que le confiere obligaciones y derechos específicos.

Registre la información del motor con el fin de consultarla para realizar pedidos de piezas o para obtener la cobertura de la garantía.

Modelo de motor _____

Especificación _____

Número de serie _____


Fecha de compra _____

Precauciones de seguridad

- ▲ ADVERTENCIA:** Un peligro que podría provocar la muerte, lesiones graves o daños materiales considerables.
- ▲ PRECAUCIÓN:** Un peligro que podría provocar lesiones personales o daños materiales de poca gravedad.

NOTA: Se utiliza para notificar al personal sobre información importante para la instalación, el funcionamiento o el mantenimiento.

	<p>▲ ADVERTENCIA</p> <p>La explosión del carburante puede provocar incendios y quemaduras graves.</p> <p>No llene el tanque de combustible con el motor en funcionamiento o caliente.</p>
	<p>La gasolina es muy inflamable y sus vapores pueden hacer explosión si se inflaman. Almacene la gasolina siempre en contenedores homologados, en locales desocupados, bien ventilados y lejos de chispas o llamas. El combustible derramado podría inflamarse si entra en contacto con las piezas calientes del motor o las chispas de encendido, se puede inflamar. No utilice nunca gasolina como agente de limpieza.</p>

	<p>▲ ADVERTENCIA</p> <p>El monóxido de carbono puede provocar náuseas, mareos o la muerte.</p> <p>Evite inhalar los humos de escape.</p>
	<p>Los gases de escape del motor contienen monóxido de carbono venenoso. El monóxido de carbono es inodoro, incoloro y puede causar la muerte si se inhala.</p>

	<p>▲ ADVERTENCIA</p> <p>Los arranques accidentales pueden provocar lesiones graves o la muerte.</p> <p>Antes de llevar a cabo trabajos de mantenimiento o reparación, desconecte y aisle el cable de la bujía.</p>
	<p>Antes de realizar cualquier trabajo en el motor o en el equipo, desactive el motor como se indica a continuación: 1) Desconecte los cables de las bujías. 2) Desconecte el cable del polo negativo (-) de la batería.</p>

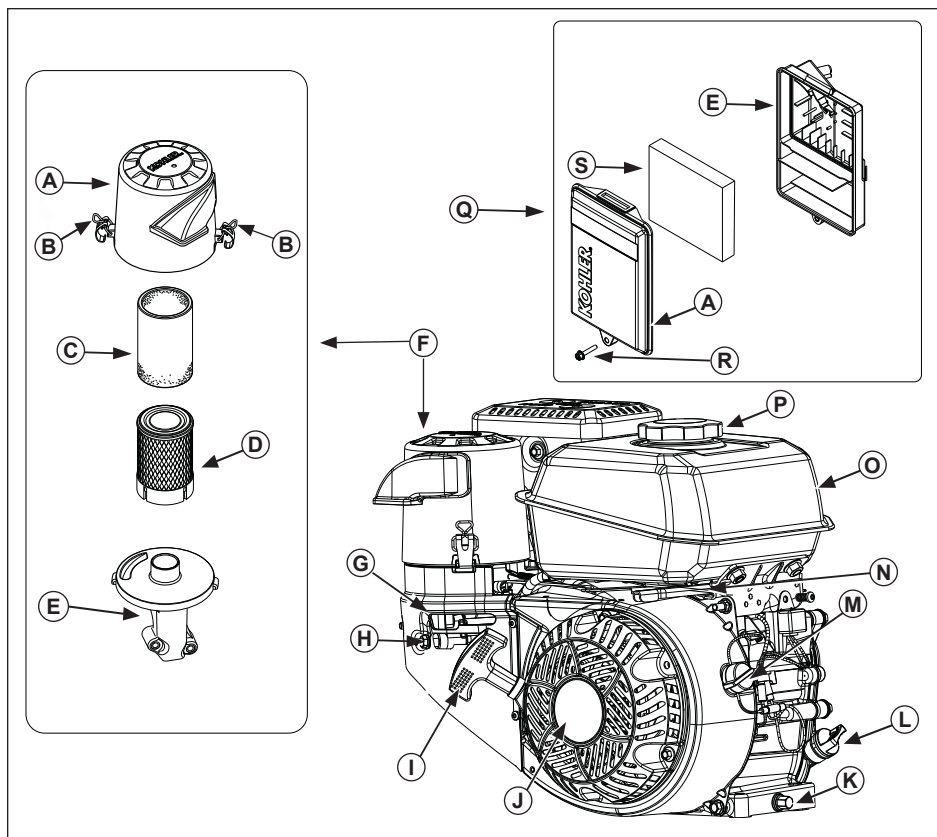
	<p>▲ ADVERTENCIA</p> <p>Las piezas rotatorias pueden causar lesiones graves.</p> <p>Manténgase alejado del motor cuando esté en funcionamiento.</p>
	<p>Para evitar lesiones, mantenga las manos, los pies, el pelo y la ropa alejados de las piezas en movimiento. No ponga nunca el motor en funcionamiento con las cubiertas, revestimientos térmicos o protecciones desmontados.</p>

	<p>▲ PRECAUCIÓN</p> <p>Las descargas eléctricas pueden provocar lesiones.</p> <p>No toque los cables con el motor en funcionamiento.</p>
---	---

	<p>▲ ADVERTENCIA</p> <p>Las piezas calientes pueden causar quemaduras graves.</p> <p>No toque el motor durante el funcionamiento o inmediatamente después de pararse.</p>
	<p>No ponga nunca el motor en funcionamiento con las protecciones térmicas desmontadas.</p>

Advertencia: La Propuesta 65 de California

El escape de motor de este producto contiene sustancias químicas identificadas por el Estado de California como causantes de cáncer, defectos de nacimiento u otros daños genéticos.





A	Tapa del filtro de aire	B	Fiador	C	Prefiltro	D	Filtro de papel
E	Soporte del filtro de aire	F	Filtro de aire™ Quad-Clean	G	Palanca del estrangulador	H	Corte de combustible
I	Manivela del motor de arranque	J	Motor de arranque retráctil	K	Tapón de drenaje del aceite	L	Varilla de nivel/ Tapón de llenado
M	Interruptor de encendido/apagado (si está incluido)	N	Palanca del acelerador	O	Tanque de combustible	P	Tapón de combustible
Q	Filtro de aire de perfil bajo	R	Tornillo	S	Elemento de espuma		

Lista de control previa al arranque

1. Comprobar el nivel de aceite. Añadir aceite si está bajo. No rellenar por encima del límite.
2. Comprobar el nivel de combustible. Añadir combustible si está bajo. Comprobar si los componentes y las tuberías del sistema de combustible presentan fugas.
3. Verificar y limpiar las zonas de refrigeración, las zonas de admisión de aire y las superficies externas del motor (especialmente después del almacenaje).
4. Verificar que los componentes del filtro de aire y todos los recubrimientos, cubiertas de equipos y protecciones están en su sitio y bien sujetas.
5. Comprobar el parachispas (si está incluido).

Arranque

	 ADVERTENCIA
	<p>El monóxido de carbono puede provocar náuseas, mareos o la muerte.</p> <p>Evite inhalar los humos de escape.</p>
<p>Los gases de escape del motor contienen monóxido de carbono venenoso. El monóxido de carbono es inodoro, incoloro y puede causar la muerte si se inhala.</p>	

	 ADVERTENCIA
	<p>Las piezas rotatorias pueden causar lesiones graves.</p> <p>Manténgase alejado del motor cuando esté en funcionamiento.</p>
<p>Para evitar lesiones, mantenga las manos, los pies, el pelo y la ropa alejados de las piezas en movimiento. No ponga nunca el motor en funcionamiento con las cubiertas, revestimientos térmicos o protecciones desmontados.</p>	

NOTA: La posición del estrangulador durante el arranque puede variar en función de la temperatura y de otros factores. Una vez que el motor esté funcionando y caliente, gire el estrangulador a la posición "OFF".

NOTA: Extienda el cable de arranque periódicamente para comprobar su estado. Si el cable está deshilachado, haga que el distribuidor autorizado de Kohler lo cambie inmediatamente.

NOTA: No arranque de modo ininterrumpido el motor durante más de 10 segundos. Espere 60 segundos a que enfríe el motor entre los intentos de arranque. Si no se observan estas instrucciones se puede quemar el motor de arranque.

NOTA: Si el motor adquiere suficiente velocidad para desengranar el motor de arranque, pero no sigue funcionando (arranque falso), se deberá dejar que el motor siga girando hasta que se pare por completo antes de intentar volver a arrancar el motor. Si el motor de arranque está engranado cuando el volante del motor empieza a girar, se pueden partir el piñón del motor de arranque y la corona dentada del volante, dañando el motor de arranque.

1. Gire la válvula de corte de combustible a la posición ON (si está incluida).
2. Gire el interruptor de encendido/apagado del motor a la posición ON (si está incluido).
3. Arranque el motor como se indica a continuación:

Motor frío: Ajuste el control del acelerador en la posición intermedia entre SLOW (lento) y FAST (rápido). Ponga el control del estrangulador en la posición ON.

Motor caliente: Ajuste el control del acelerador en la posición intermedia entre SLOW (lento) y FAST (rápido). Vuelva a poner el estrangulador en la posición OFF tan pronto como arranque el motor. Normalmente, un motor caliente no requiere que el estrangulador esté encendido.

4. Arranque retráctil: Lentamente tire hacia fuera de la manivela del motor de arranque justo hasta después de la compresión; ¡PARE! Vuelva a la manivela del estrangulador, tire de ella hacia fuera con fuerza para evitar el excesivo desgaste del cable de la guía de cable de arranque.

Arranque eléctrico: Active el interruptor del motor de arranque. Suelte el interruptor en cuanto arranque el motor. Si el motor de arranque no pone en marcha el motor, pare inmediatamente el motor de arranque. No intente volver a arrancar el motor hasta que se solucione el fallo. ¡No arranque con batería auxiliar! Para analizar las averías, consulte a su distribuidor autorizado de Kohler.

5. Cuando el motor haya arrancado y se haya calentado, vuelva a colocar progresivamente el control del estrangulador en la posición OFF. Durante el periodo de calentamiento se podrá trabajar con el motor o equipo, pero será necesario dejar el estrangulador parcialmente activado.

Consejos para el arranque en tiempo frío

1. Utilice el aceite apropiado para la temperatura prevista.
2. Desconecte todas las posibles cargas externas.
3. Use combustible de grado invierno reciente. El combustible de grado invierno tiene una mayor volatilidad que mejora el arranque.

Parada

1. Si es posible, retire la carga desacoplando todos los accesorios accionados por la TDF.
2. Mueva el control del acelerador, si está incluido, a la posición "slow" (lento) o "idle" (ralentí).
3. Cierre de la válvula de corte de combustible, si está incluida.

Ángulo de funcionamiento

Consulte las instrucciones de funcionamiento del equipo impulsado por este motor. No haga funcionar el motor si supera el ángulo máximo de funcionamiento, consulte la tabla de especificaciones. El motor puede dañarse como resultado de una lubricación insuficiente.

Velocidad del motor

NOTA: No altere los ajustes del regulador para aumentar la velocidad máxima del motor. El exceso de velocidad es peligroso y anulará la garantía.

ESE

Funcionamiento a gran altitud

Este motor puede requerir un kit de carburador de gran altitud para garantizar un funcionamiento correcto del motor a altitudes superiores a 1.219 metros (4.000 pies). Para obtener información sobre el kit de gran altitud o encontrar a un distribuidor autorizado de Kohler, consulte KohlerEngines.com o llame a 1-800-544-2444 (EE.UU. y Canadá).

Este motor debe ponerse en funcionamiento en su configuración original por debajo de los 1.219 metros (4.000 pies), pues pueden producirse daños si se instala y pone en funcionamiento el kit de carburador de gran altitud por debajo de los 1.219 metros (4.000 pies).

Formación de hielo en el carburador



NOTA: Si en condiciones normales pone el motor en funcionamiento con la tapa posicionada en funcionamiento en clima frío, puede dañar el motor.

La formación de hielo en el carburador se produce ante determinadas combinaciones de temperatura y humedad. El resultado de la formación de hielo en el carburador es un funcionamiento irregular a velocidad de ralentí o lenta, así como humo negro.

Para reducir la probabilidad de que se forme hielo en el carburador, se puede girar la tapa del filtro de aire para obtener aire más caliente del lado del silenciador. Para el funcionamiento en clima frío, coloque la tapa del filtro de aire con la etiqueta de copo de nieve por fuera.

Para el funcionamiento normal, coloque la tapa del filtro de aire con la etiqueta de sol por fuera.

Instrucciones de mantenimiento

	 ADVERTENCIA	Antes de realizar cualquier trabajo en el motor o en el equipo, desactive el motor como se indica a continuación: 1) Desconecte los cables de las bujías. 2) Desconecte el cable del polo negativo (-) de la batería.
	Los arranques accidentales pueden provocar lesiones graves o la muerte. Antes de llevar a cabo trabajos de mantenimiento o reparación, desconecte y aisle el cable de la bujía.	

El mantenimiento, sustitución o reparación normales de los sistemas y dispositivos de control de emisiones pueden ser realizados por cualquier centro de reparaciones o técnico; no obstante, las reparaciones cubiertas por la garantía solo podrá realizarlas un distribuidor autorizado de Kohler que puede encontrar en KohlerEngines.com o llamando al 1-800-544-2444 (EE.UU. o Canadá).

Programa de mantenimiento

Después de las 5 primeras horas

- Cambie el aceite.

Una vez al año o cada 50 horas

- Limpie/cambie el prefiltro Quad-Clean™.

Una vez al año o cada 100 horas¹

- Limpie el elemento del filtro de aire de perfil bajo.
- Cambie el aceite.
- Limpie las zonas de refrigeración.
- Cambie la bujía y ajuste la separación entre electrodos.

Cada 200 horas²

- Compruebe y ajuste el juego de las válvulas con el motor frío.

Cada 200 horas

- Cambie el elemento del filtro de aire Quad-Clean™.

Cada 300 horas

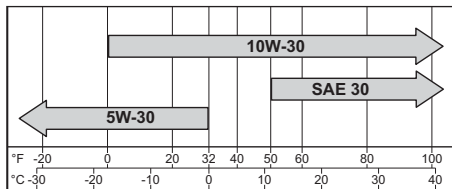
- Cambie el elemento del filtro de aire de perfil bajo.
- Verifique los filtros de combustible (filtro de salida del tanque y filtro en línea) y límpielos o cámbielos si es necesario (si están incluidos).

¹ Estas operaciones de mantenimiento deberán ejecutarse con mayor frecuencia en ambientes muy polvorientos o sucios.

² Deje que un distribuidor autorizado de Kohler realice esta operación.

Recomendaciones de lubricante

Recomendamos el uso de un aceite de Kohler para obtener un mejor rendimiento. También se puede utilizar otro aceite detergente de alta calidad API (American Petroleum Institute) SJ o superior, incluidos los aceites sintéticos. Seleccione la viscosidad en función de la temperatura del aire durante el funcionamiento como se muestra en la tabla que aparece a continuación.



Comprobación del nivel de aceite

NOTA: Para evitar las averías y el desgaste excesivo del motor, nunca ponga el motor en funcionamiento con un nivel de aceite inferior o superior al indicador de nivel de funcionamiento de la varilla.

Asegúrese de que el motor esté frío. Limpie los residuos de las áreas de la varilla de nivel/llenado de aceite.

1. Extraiga la varilla de nivel; limpie el exceso de aceite.
2. Vuelva a introducir la varilla de nivel en el tubo, asíntela en el cuello de llenado de aceite, gírela en sentido contrario a las agujas del reloj hasta introducir toda la rosca del tapón de llenado. No enrosque el tapón en el tubo.

- a. Saque la varilla y compruebe el nivel de aceite. El nivel debe situarse en la parte superior de la varilla de nivel.
 - o bien
 - b. Extraiga el tapón de llenado. El nivel debe alcanzar el punto de desbordamiento del cuello de llenado.
3. Si el nivel de aceite es más bajo, añada aceite hasta el punto de desbordamiento del cuello de llenado.
 4. Vuelva a colocar la varilla de nivel y apriete firmemente.

Cambiar el aceite



Cambie el aceite con el motor caliente.

1. Limpie el área que rodea el tapón de llenado de aceite/varilla y el tapón de drenaje.
2. Quite el tapón de drenaje y el tapón de llenado/varilla de nivel. Drene el aceite por completo.
3. Vuelva a colocar el tapón de drenaje. Apriételo a 17,6 N·m. (13 ft. lb.).
4. Llène de aceite nuevo el cárter hasta el punto de desbordamiento del cuello de llenado.
5. Vuelva a colocar el tapón de llenado con varilla y apriete firmemente.
6. Deseche el aceite usado en conformidad con las normativas locales.

Oil Sentry™ (si está incluido)

Este interruptor está diseñado para evitar que el motor arranque con poco aceite o ninguno. El Oil Sentry™ no puede apagar un motor en marcha antes de que se produzca un daño. En algunas aplicaciones este interruptor puede activar una señal de aviso. Lea los manuales de su equipo para más información.

Recomendaciones de combustible

	 ADVERTENCIA
	<p>La explosión del carburante puede provocar incendios y quemaduras graves.</p> <p>No llene el tanque de combustible con el motor en funcionamiento o caliente.</p>
<p>La gasolina es muy inflamable y sus vapores pueden hacer explosión si se inflaman. Almacene la gasolina siempre en contenedores homologados, en locales desocupados, bien ventilados y lejos de chispas o llamas. El combustible derramado podría inflamarse si entra en contacto con las piezas calientes del motor o las chispas de encendido. No utilice nunca gasolina como agente de limpieza.</p>	



NOTA: E15, E20 y E85 are NO están autorizados y NO deben utilizarse; la garantía no cubre los efectos producidos por el uso de combustible antiguo, pasado o contaminado.

El combustible debe cumplir con los siguientes requisitos:

ESE

- Gasolina limpia, fresca y sin plomo.
- Octanaje de 87 (R+M)/2 o superior.
- El "Research Octane Number" (RON), deberá ser de 90 octanos como mínimo.
- Se autoriza el empleo de gasolina de hasta un volumen máximo del 10 % de alcohol etílico y el 90 % sin plomo.
- Se autorizan las mezclas de metil-ter-butil-éter (MTBE) y gasolina sin plomo (hasta un máximo del 15% de MTBE en volumen).
- No añada aceite a la gasolina.
- No llene el tanque de combustible por encima del límite.
- No utilice gasolina con más de 30 días de antigüedad.

Añadir Combustible

	 ADVERTENCIA
	<p>La explosión del carburante puede provocar incendios y quemaduras graves.</p> <p>No llene el tanque de combustible con el motor en funcionamiento o caliente.</p>
<p>La gasolina es muy inflamable y sus vapores pueden hacer explosión si se inflaman. Almacene la gasolina siempre en contenedores homologados, en locales desocupados, bien ventilados y lejos de chispas o llamas. El combustible derramado podría inflamarse si entra en contacto con las piezas calientes del motor o las chispas de encendido. No utilice nunca gasolina como agente de limpieza.</p>	

Asegúrese de que el motor esté frío.

1. Limpie el área que rodea el tapón de combustible.
2. Extraiga el tapón de combustible. Llène hasta la base del cuello de llenado. No llene el tanque de combustible por encima del límite. Deje espacio para que se expanda el combustible.
3. Vuelva a instalar la tapa del combustible y apriete bien.

Tubería de combustible

Debe instalar una tubería de combustible de baja permeabilidad de motores carburados de Kohler Co. para respetar las normas EPA y CARB.

Válvula de combustible

Los motores están equipados con una válvula de combustible y un filtro de rejilla integrado situado en la entrada del carburador. Esta controla y filtra el flujo de combustible del tanque al carburador. Limpie los residuos de la copa de la válvula de combustible.

1. Extraiga dos tuercas, dos tornillos y la cubierta del carburador.
2. Gire la palanca de la válvula de combustible a la posición OFF.
3. Extraiga la copa de la válvula de combustible. Extraiga la junta tórica y el filtro de rejilla.
4. Limpie la rejilla y la copa de la válvula de combustible con disolvente y limpie el exceso.
5. Compruebe la rejilla y la junta tórica y cámbielas si están dañadas.
6. Vuelva a instalar la junta tórica seguida de la copa de la válvula de combustible. Gire con la mano la copa de la válvula de combustible hasta que quede bien apretada. Gire de 1/2 a 3/4 de vuelta con una llave.
7. Gire la válvula de combustible a la posición ON y compruebe si hay fugas. Si la válvula de combustible tiene fugas, repita los pasos 5 y 6.
8. Apriete firmemente la copa de combustible.
9. Vuelva a colocar la cubierta del carburador fijándola con los tornillos quitados en el paso 1.

Bujías



PRECAUCIÓN

Las descargas eléctricas pueden provocar lesiones.

No toque los cables con el motor en funcionamiento.

Limpie el rebaje de la bujía. Extraiga la bujía y sustitúyala.

1. Compruebe la separación de electrodos con una galga de espesores. Para ajustar la separación, consulte la tabla de especificaciones de ajuste.
2. Coloque la bujía en el cabezal del cilindro.
3. Apriete la bujía a 27 N·m. (20 ft. lb.).

Filtro de aire

NOTA: Si en condiciones normales pone el motor en funcionamiento con la tapa posicionada en funcionamiento en clima frío, puede dañar el motor.

NOTA: El funcionamiento del motor con componentes del filtro de aire sueltos o dañados puede causar daños y desgaste prematuro. Sustituya todos los componentes doblados o dañados.

NOTA: El papel filtrante no puede expulsarse con aire comprimido.

Quad-Clean™

Mueva los fiadores de la tapa del filtro de aire hacia abajo, extraiga las pestañas de la parte inferior del soporte y extraiga la tapa.

Prefiltro:

1. Extraiga el prefiltro del papel filtrante.
2. Sustituya o lave el prefiltro con agua templada y detergente. Aclárelo y déjelo secar al aire.
3. Lubrique ligeramente el prefiltro con aceite nuevo y escurra el exceso de aceite.
4. Vuelva a colocar el prefiltro sobre el papel filtrante.

Elemento de papel:

1. Separe el prefiltro del elemento filtrante, limpie el prefiltro y sustituya el elemento filtrante.
2. Instale un nuevo elemento filtrante en la base e instale el prefiltro sobre el papel filtrante.

Coloque la tapa del filtro de aire para el funcionamiento normal (etiqueta de sol por fuera) o el funcionamiento en clima frío (etiqueta de copo de nieve por fuera), coloque las pestañas en la parte inferior de la base, levante los fiadores para sujetar la tapa.

Perfil bajo

1. Desmonte el tornillo y la tapa del filtro de aire.
2. Extraiga el elemento de espuma de la base.
3. Lave el elemento de espuma con agua templada y detergente. Aclárelo y déjelo secar al aire.
4. Lubrique ligeramente el elemento de espuma con aceite nuevo y escurra el exceso de aceite.
5. Vuelva a instalar el elemento de espuma en la base.
6. Vuelva a montar la tapa y fíjela con el tornillo.

Tubo del respirador

Asegúrese de que ambos extremos del respirador están conectados adecuadamente.

Refrigeración por aire

	<p>⚠ ADVERTENCIA</p> <p>Las piezas calientes pueden causar quemaduras graves.</p> <p>No toque el motor durante el funcionamiento o inmediatamente después de pararse.</p>
<p>No ponga nunca el motor en funcionamiento con las protecciones térmicas desmontadas.</p>	

Es esencial una refrigeración adecuada. Para evitar el sobrecalentamiento, limpie los filtros, los álabes de refrigeración y demás superficies externas del motor. Evite rociar agua al haz de cables o a cualquier componente eléctrico. Consulte el Programa de mantenimiento.

Reparaciones/Piezas de recambio

Recomendamos que utilice un distribuidor autorizado de Kohler para el mantenimiento, la reparación o la sustitución de piezas del motor. Para consultar los distribuidores autorizados de Kohler, visite KohlerEngines.com o llame al 1-800-544-2444 (EE.UU. y Canadá).

Almacenamiento

Si el motor no se pone en funcionamiento durante 2 meses o más siga el procedimiento siguiente.

1. Añada el tratamiento de combustible Kohler PRO Series o equivalente al depósito de combustible. Arranque el motor durante 2-3 minutos para que el combustible se estabilice en el sistema de combustible (la garantía no cubre los fallos provocados por combustible sin tratar).
2. Cambie el aceite con el motor aún caliente. Extraiga la bujía y vierta aproximadamente 28 gr (1 oz) de aceite de motor en el cilindro. Sustituya la bujía y arranque el motor lentamente para distribuir el aceite.
3. Desconecte el cable de la batería de borne negativo (-).
4. Almacene el motor en un lugar limpio y seco.

Localización de averías

No intente reparar o cambiar componentes principales del motor o cualquier elemento que requiera unos procedimientos de ajuste o sincronización especiales. Este trabajo debe ser realizado por un distribuidor autorizado de Kohler.

Problema	Causa posible							
	Sin combustible	Combustible inadecuado	Suciedad en la tubería de combustible	Rejilla de con residuos	Nivel de aceite incorrecto	Motor sobrecargado	Filtro de aire sucio	Bujía defectuosa
No arranca	•	•	•		•	•	•	•
Arranque con dificultad		•	•		•	•	•	•
Se para de repente	•		•	•	•	•	•	•
Le falta potencia		•	•	•	•	•	•	•
Funciona erráticamente		•	•	•		•	•	•
Golpes o sonidos metálicos		•		•		•		•
Salto o fallos de encendido		•	•	•			•	•
Detonaciones		•	•			•	•	•
Se recalienta		•	•	•	•	•	•	
Consumo de combustible elevado						•	•	•

Especificaciones del motor

Modelo	Orificio	Carrera	Desplazamiento	Capacidad de aceite (rellenado)	Abertura de bujía	Ángulo de funcionamiento máximo (con nivel máximo de aceite)*
CH260	70 mm (2,8 in)	54 mm (2,1 in)	208 cc (12,7 in)	0,60 l (0,63 U.S. qt)	0,76 mm (0,03 in)	25°
CH270						
CH395	78 mm (3,1 in)	58 mm (2,3 in)	277 cc (16,9 in)	1,10 l (1,16 U.S. qt)		
CH440	89 mm (3,5 in)	69 mm (2,7 in)	429 cc (24,7 in)			

*Si se excede el ángulo máximo de funcionamiento puede dañarse el motor debido a lubricación insuficiente.

Puede encontrar información adicional sobre las especificaciones en el manual de servicio en KohlerEngines.com.

El sistema de control de emisiones de escape para los modelos CH260, CH270, CH395, CH440 es EM para la EPA estadounidense, California y Europa.

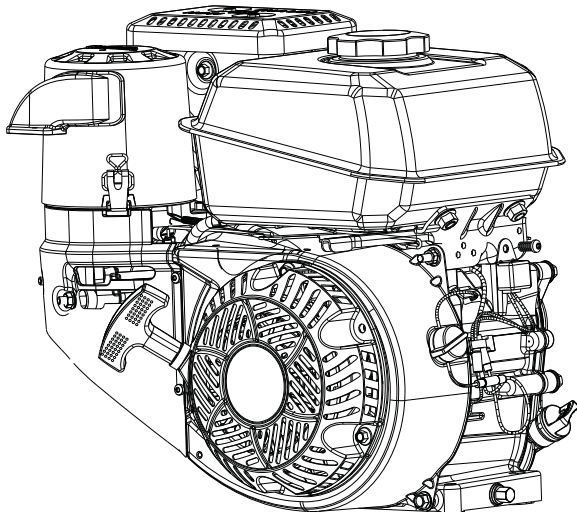
Todas las referencias de caballos (cv) de Kohler se ciñen a la Clasificación de potencia certificada y a las normas SAE 1940 y J1995 en materia de caballos. Encontrará información detallada sobre la Clasificación de potencia certificada en KohlerEngines.com.

KOHLER® Command PRO®

CH260, CH270, CH395, CH440

Manual del usuario

ESS



IMPORTANTE: Lea detenidamente todas las instrucciones y precauciones de seguridad antes de poner en funcionamiento el equipo. Consulte las instrucciones de funcionamiento del equipo que impulsa este motor.

Asegúrese de que el motor esté parado y nivelado antes de realizar cualquier tarea de mantenimiento o servicio.

La cobertura de la garantía se detalla tanto en la tarjeta de la garantía como en KohlerEngines.com. Revísela detenidamente, ya que le otorga derechos y obligaciones específicos.

Registre la información del motor para referencia a la hora de realizar el pedido de piezas o para obtener cobertura de la garantía.

Modelo de motor _____

Especificación _____


Número de serie _____


Fecha de compra _____

Precauciones de seguridad

- ▲ ADVERTENCIA:** Un peligro que podría causar la muerte, lesiones graves o daños importantes a la propiedad.
- ▲ PRECAUCIÓN:** Un peligro que podría causar lesiones personales menores o daños a la propiedad.

NOTA: se utiliza para notificar al personal información importante sobre la instalación, el funcionamiento o el mantenimiento.

	<p>▲ ADVERTENCIA</p> <p>La explosión del carburante puede provocar incendios y quemaduras graves.</p> <p>No llene el tanque de combustible mientras el motor esté caliente o funcionando.</p>
	<p>La gasolina es muy inflamable y sus vapores pueden hacer explosión si se inflaman. Almacene la gasolina siempre en contenedores homologados, en locales desocupados, bien ventilados y lejos de chispas o llamas. El combustible derramado puede encenderse si entra en contacto con las piezas calientes o con las chispas de arranque. No utilice nunca gasolina como agente de limpieza.</p>

	<p>▲ ADVERTENCIA</p> <p>El monóxido de carbono puede provocar náuseas, mareos o la muerte.</p> <p>Evite inhalar los humos del escape.</p>
	<p>Los gases de escape del motor contienen monóxido de carbono venenoso. El monóxido de carbono es inodoro, incoloro y puede causar la muerte si se inhala.</p>

	<p>▲ ADVERTENCIA</p> <p>Los arranques accidentales pueden provocar lesiones graves o la muerte.</p> <p>Antes de llevar a cabo trabajos de mantenimiento o reparación, desconecte y aisle el cable de la bujía.</p>
	<p>Antes de trabajar en el motor o el equipo, desactive el motor de la siguiente manera: 1) Desconecte el (los) cable(s) de la bujía. 2) Desconecte el cable negativo (-) de la batería.</p>

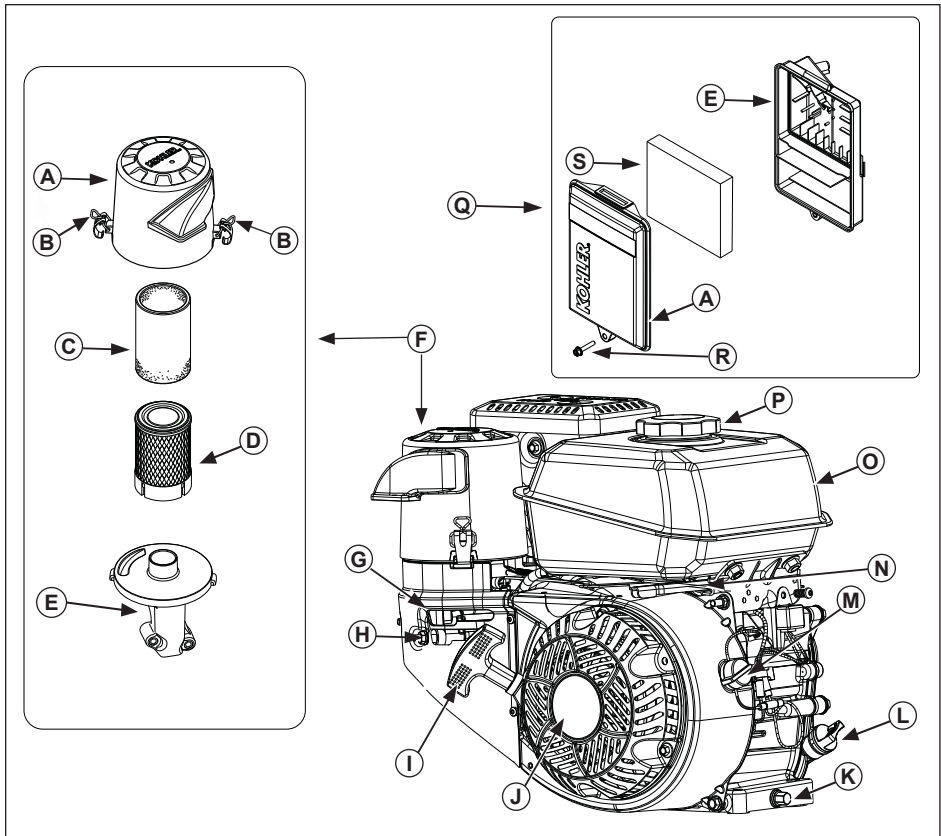
	<p>▲ ADVERTENCIA</p> <p>Las piezas rotatorias pueden causar lesiones graves.</p> <p>Manténgase alejado del motor cuando esté en funcionamiento.</p>
	<p>Para evitar lesiones, mantenga las manos, los pies, el pelo y la ropa alejados de las piezas en movimiento. Nunca permita que el motor funcione sin sus tapas, cubiertas o protecciones.</p>

	<p>▲ PRECAUCIÓN</p> <p>Las descargas eléctricas pueden provocar lesiones.</p> <p>No toque los cables con el motor en funcionamiento.</p>
---	---

	<p>▲ ADVERTENCIA</p> <p>Las piezas calientes pueden causar quemaduras graves.</p> <p>No toque el motor durante el funcionamiento o inmediatamente después de pararse.</p>
	<p>Nunca utilice el motor sin los escudos o protectores térmicos.</p>

Advertencia de la Proposición 65 de California

Los escapes de motor de este producto contienen químicos que en el estado de California se sabe que pueden producir cáncer, defectos de nacimiento u otros daños reproductivos.







A	Tapa del filtro de aire	B	Fiador	C	Prefiltro	D	Filtro de papel
E	Soporte del filtro de aire	F	Filtro de aire Quad-Clean™	G	Palanca del estrangulador	H	Corte de combustible
I	Manivela del motor de arranque	J	Motor de arranque retráctil	K	Tapón de drenaje del aceite	L	Varilla de nivel/ Tapón de llenado
M	Interruptor On/ Off (si está equipado)	N	Palanca del acelerador	O	Tanque de combustible	P	Tapón de combustible
Q	Filtro de aire de perfil bajo	R	Tornillo	S	Elemento de espuma		

Lista de control previa al arranque

1. Comprobar el nivel de aceite. Añadir aceite si está bajo. No rellenar por encima del límite.
2. Comprobar el nivel de combustible. Añadir combustible si está bajo. Verifique que no haya fugas en los componentes y las líneas del sistema de combustible.
3. Verifique y limpie las áreas de enfriamiento, las áreas de entrada de aire y las superficies externas del motor (especialmente luego del almacenamiento).
4. Verifique que los componentes del filtro de aire y todas las cubiertas, las tapas de los equipos y las protecciones estén colocados y bien ajustados.
5. Compruebe el supresor de chispas (si está equipado).

Arranque

	 ADVERTENCIA
	<p>El monóxido de carbono puede provocar náuseas, mareos o la muerte.</p> <p>Evite inhalar los humos del escape.</p>
<p>Los gases de escape del motor contienen monóxido de carbono venenoso. El monóxido de carbono es inodoro, incoloro y puede causar la muerte si se inhala.</p>	

	 ADVERTENCIA
	<p>Las piezas rotatorias pueden causar lesiones graves.</p> <p>Manténgase alejado del motor cuando esté en funcionamiento.</p>
<p>Mantenga las manos, los pies, el cabello y la ropa lejos de las piezas móviles para evitar lesiones. Nunca permita que el motor funcione sin sus tapas, cubiertas o protecciones.</p>	

NOTA: La posición del estrangulador para el arranque puede variar según la temperatura y otros factores. Una vez que el motor esté en funcionamiento y caliente, gire el estrangulador a la posición OFF (apagado).

NOTA: Extienda la cuerda de arranque periódicamente para verificar su estado. Si la cuerda está deshilachada, sustitúyala de inmediato a través de un distribuidor autorizado de Kohler.

NOTA: No arranque el motor continuamente por más de 10 segundos. Espere un período de enfriamiento de 60 segundos entre los intentos de arranque. Si no se siguen estas directivas, se puede quemar el arrancador.

NOTA: Si el motor desarrolla una velocidad suficiente como para desembragar el arrancador pero no se mantiene funcionando (falso arranque), se debe permitir la parada completa de la rotación del motor antes de intentar volver a arrancar el motor. Si se embraga el arrancador mientras el volante está girando, pueden chocar el piñón del arrancador y la corona dentada del volante, produciendo daños en el arrancador.

1. Gire la válvula de cierre de combustible a la posición ON (encendido) (si está equipada).
2. Gire el interruptor on/off del motor a la posición ON (si está equipado).

3. Arranque el motor de la siguiente manera:

Motor frío: coloque el control del acelerador a mitad de camino entre las posiciones SLOW (lento) y FAST (rápido). Coloque el control del estrangulador en la posición ON.

Motor caliente: coloque el control del acelerador a mitad de camino entre las posiciones SLOW (lento) y FAST (rápido). Regrese el estrangulador a la posición OFF en cuanto arranque el motor. Un motor caliente normalmente no necesita que el estrangulador esté encendido.

4. Arrancador retráctil: jale el mango del arrancador lentamente hasta que haya pasado ligeramente la compresión; ¡DETÉN-GASE! Regrese el mango del arrancador; jale firmemente de forma recta para evitar un desgaste excesivo de la cuerda de la guía de la cuerda del arrancador.

Arranque eléctrico: active el interruptor del arrancador. Suelte el contacto en cuanto arranque el motor. Si el arrancador no hace girar el motor, interrumpa inmediatamente el arrancador. No realice más intentos para arrancar el motor hasta que se corrija la condición. No puentee el motor para hacerlo arrancar. Consulte a su distribuidor autorizado de Kohler para que analice su problema.

5. Regrese gradualmente el control del estrangulador a la posición OFF después de que el motor arranque y se caliente. El motor/equipo se puede utilizar durante el período de calentamiento, pero puede ser necesario dejar el estrangulador parcialmente encendido hasta que se caliente el motor.

Consejos para el arranque en tiempo frío

1. Use el aceite adecuado para la temperatura esperada.
2. Desembrague todas las cargas externas posibles.
3. Use combustible de grado invierno reciente. El combustible de grado invernal posee una mayor volatilidad para mejorar el arranque.

Parada

1. Si es posible, elimine la carga separando todos los acoplamientos accionados por la toma de fuerza.
2. Si está equipado, mueva el control del acelerador a la posición lenta o de ralentí; pare el motor.
3. Si está equipada, cierre la válvula de cierre de combustible.

Ángulo de funcionamiento

Consulte las instrucciones de funcionamiento del equipo que impulsa este motor. No haga funcionar este motor si se excede el ángulo de funcionamiento máximo; consulte la tabla de especificaciones. El motor puede dañarse como resultado de una lubricación insuficiente.

Velocidad del motor

NOTA: No altere el ajuste del regulador para aumentar la velocidad máxima del motor. El exceso de velocidad es peligroso y anulará la garantía.

ESS

Funcionamiento a gran altitud

Este motor puede requerir un kit de carburador para gran altura, a fin de asegurar el correcto funcionamiento del motor en alturas superiores a los 1219 metros (4000 pies). Para obtener información sobre el kit para grandes alturas o localizar un distribuidor autorizado de Kohler, visite KohlerEngines.com o llame al 1-800-544-2444 (EE. UU. y Canadá).

Este motor deberá funcionar en su configuración original por debajo de los 1219 metros (4000 pies), ya que se pueden producir daños si el kit de carburador para gran altura se instala y funciona por debajo de los 1219 metros (4000 pies).

Formación de hielo en el carburador


NOTA: Hacer funcionar el motor con la cubierta para el funcionamiento en clima frío en condiciones normales puede dañar el motor.

La formación de hielo en el carburador se produce ante determinadas combinaciones de temperatura y humedad. El resultado del congelamiento del carburador es un funcionamiento dificultoso en ralentí o a baja velocidad, como también humo blanco o negro.

Para reducir la probabilidad de congelamiento del carburador, se puede rotar la cubierta del filtro de aire para extraer aire caliente del lado del silenciador. Para el funcionamiento en clima frío, coloque la cubierta del filtro de aire con la etiqueta autoadhesiva del copo de nieve hacia afuera.

Para el funcionamiento normal, coloque la cubierta del filtro de aire con la etiqueta autoadhesiva del sol hacia afuera.

Instrucciones de mantenimiento

	⚠ ADVERTENCIA	Antes de trabajar en el motor o el equipo, desactive el motor de la siguiente manera: 1) Desconecte el (los) cable(s) de la bujía. 2) Desconecte el cable negativo (-) de la batería.
	Los arranques accidentales pueden producir lesiones graves o la muerte. Desconecte y conecte a tierra los cables de las bujías antes de realizar un mantenimiento.	

El mantenimiento, el reemplazo o la reparación normal de los dispositivos y los sistemas de control de emisiones los puede realizar cualquier persona o establecimiento de reparación; sin embargo, las reparaciones que cubre la garantía las debe realizar un distribuidor autorizado de Kohler, al que puede encontrar en KohlerEngines.com o llamando al 1-800-544-2444 (EE. UU. y Canadá).

Programa de mantenimiento

Después de las primeras 5 horas

- Cambie el aceite.

Anualmente o cada 50 horas

- Realice tareas de mantenimiento o reemplazo del prefiltro Quad-Clean™.

Anualmente o cada 100 horas¹

- Limpie el elemento del filtro de aire de bajo perfil.
- Cambie el aceite.
- Limpie las áreas de enfriamiento.
- Reemplace la bujía y calíbrela.

Cada 200 horas²

- Verifique y ajuste el juego de la válvula cuando el motor esté frío.

Cada 200 horas

- Limpie el elemento del filtro de aire Quad-Clean™.

Cada 300 horas

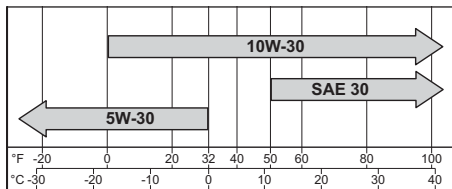
- Reemplace el elemento del filtro de aire de bajo perfil.
- Verifique los filtros de combustible (filtro del tanque de salida y filtro en línea) y limpie o reemplace si es necesario (si están equipados).

¹ Realice estos procedimientos con más frecuencia en condiciones de polvo y suciedad extremas.

² Recorra a su distribuidor autorizado de Kohler para que realice este servicio.

Recomendaciones de lubricante

Le recomendamos que use aceites Kohler para un mejor rendimiento. También son aceptables otros aceites detergentes de alta calidad (incluidos los sintéticos) API (American Petroleum Institute) de clase de servicio SJ o superior. Seleccione la viscosidad basándose en la temperatura del aire en el momento del funcionamiento, tal como se muestra en el siguiente cuadro.



Comprobación del nivel de aceite

NOTA: Para evitar un desgaste o daños importantes en el motor, nunca haga funcionar el motor con el nivel de aceite por debajo o por encima del indicador del intervalo operativo en la varilla del nivel de aceite.

Asegúrese de que el motor esté frío. Limpie los desechos del área del tapón de llenado/la varilla del nivel de aceite.

1. Extraiga la varilla del nivel de aceite; limpie el aceite.
2. Reintroduzca la varilla del nivel de aceite; apóyela en el cuello de llenado de aceite; gírela en sentido contrario a las agujas del reloj hasta que el tapón se caiga al punto más bajo de los cables roscados; no atornille el tapón en el tubo.
 - a. Extraiga la varilla del nivel de aceite; verifique el nivel de aceite. El nivel debe llegar a la parte superior del indicador en la varilla del nivel de aceite.

o
 - b. Extraiga el tapón de llenado de aceite. El nivel debe llegar hasta el punto de desbordamiento del cuello de llenado.

- Si el nivel de aceite está bajo, agregue aceite hasta el punto de desbordamiento del cuello de llenado.
- Reinstale el tapón de llenado o la varilla del nivel de aceite y apriete bien.

Cambiar el aceite


Cambie el aceite mientras el motor esté caliente.

- Limpie el área alrededor del tapón de llenado/la varilla del nivel de aceite y el tapón de drenaje.
- Retire el tapón de drenaje y el tapón de llenado/la varilla del nivel de aceite. Drene completamente el aceite.
- Reinstale el tapón de drenaje. Aplique un par de apriete de 17,6 N m (13 pies libras).
- Llene el cárter con aceite nuevo hasta el punto de desbordamiento del cuello de llenado.
- Vuelva a colocar el tapón de llenado con varilla y apriete firmemente.
- Deseche el aceite usado de acuerdo con las ordenanzas locales.

Oil Sentry™ (si está equipado)

Este interruptor está diseñado para evitar que el motor arranque con un nivel bajo de aceite o sin aceite. El interruptor Oil Sentry™ no puede apagar un motor en funcionamiento antes de que se produzcan daños. En algunas aplicaciones este interruptor puede activar una señal de aviso. Lea los manuales de su equipo para más información.

Recomendaciones de combustible


	⚠ ADVERTENCIA
	<p>La explosión del carburante puede provocar incendios y quemaduras graves.</p> <p>No llene el tanque de combustible mientras el motor esté caliente o funcionando.</p>
<p>La gasolina es muy inflamable y sus vapores pueden hacer explosión si se inflaman. Almacene la gasolina siempre en contenedores homologados, en locales desocupados, bien ventilados y lejos de chispas o llamas. El combustible derramado puede encenderse si entra en contacto con las piezas calientes o con las chispas de arranque. No utilice nunca gasolina como agente de limpieza.</p>	

NOTA: Las mezclas E15, E20 y E85 NO están aprobadas y NO deben usarse; los efectos provocados por combustible viejo, pasado o contaminado no están cubiertos por la garantía.

El combustible debe cumplir con estos requisitos:

- Gasolina limpia, nueva y sin plomo.
- Octanaje de 87 (R+M)/2 o superior.
- Número de octano de investigación (Research Octane Number, RON) de 90 octanos como mínimo.
- La gasolina de hasta 10% de alcohol etílico y ESS 90% sin plomo es aceptable.
- Se autoriza la mezcla de metil ter-butil éter (MTBE) y gasolina sin plomo (hasta un máximo del 15% de MTBE por volumen).
- No añada aceite a la gasolina.
- No sobrellene el tanque de combustible.
- No utilice gasolina que tenga más de 30 días.

Añadir Combustible

	⚠ ADVERTENCIA
	<p>La explosión del carburante puede provocar incendios y quemaduras graves.</p> <p>No llene el tanque de combustible mientras el motor esté caliente o funcionando.</p>
<p>La gasolina es muy inflamable y sus vapores pueden hacer explosión si se inflaman. Almacene la gasolina siempre en contenedores homologados, en locales desocupados, bien ventilados y lejos de chispas o llamas. El combustible derramado puede encenderse si entra en contacto con las piezas calientes o con las chispas de arranque. No utilice nunca gasolina como agente de limpieza.</p>	

Asegúrese de que el motor esté frío.

- Limpie el área alrededor de la tapa del tanque de combustible.
- Retire la tapa del tanque de combustible. Llène hasta la base del cuello de llenado. No llene el tanque de combustible por encima del límite. Deje espacio para que se expanda el combustible.
- Reinstale la tapa del tanque de combustible y apriete bien.

Tubería de combustible

Se debe instalar una línea de combustible de baja impregnación en los motores Kohler Co. con carburador, a fin de mantener el cumplimiento con las normativas de la Agencia de Protección Ambiental (Environmental Protection Agency, EPA) y la Junta de Recursos del Aire de California (California Air Resources Board, CARB).

Válvula de combustible

Los motores están equipados con una válvula de combustible y un filtro de malla integral ubicado en la entrada del carburador. Controla y filtra el flujo de combustible desde el tanque hasta el carburador. Limpie los desechos de la tapa de la válvula de combustible.

1. Retire las dos tuercas, los dos tornillos y el panel cobertor del carburador.
2. Gire la palanca de la válvula de combustible a la posición OFF.
3. Retire la tapa de la válvula de combustible. Retire la junta tórica y la malla del filtro.
4. Limpie la malla y la tapa de la válvula de combustible con solvente y pase un trapo.
5. Verifique la malla y la junta tórica; sustitúyalas si están dañadas.
6. Reinstale la junta tórica seguida de la tapa de la válvula de combustible. Gire la tapa de la válvula de combustible hasta que quede apretada. Gire de 1/2 a 3/4 de vuelta con una llave.
7. Gire la válvula de combustible a la posición ON y verifique que no haya fugas. Si la válvula de combustible tiene fugas, repita los pasos 5 y 6.
8. Apriete bien la tapa del tanque de combustible.
9. Reinstale el panel cobertor del carburador que se extrajo en el paso 1, asegurándolo con una herramienta.

Bujías



PRECAUCIÓN

Las descargas eléctricas pueden provocar lesiones.

No toque los cables con el motor en funcionamiento.

Limpie las escotaduras de la bujía. Retire la bujía y reemplácela.

1. Verifique la separación con un calibrador de alambres de separaciones. Ajuste la separación, consulte la tabla de especificaciones para conocer los ajustes.
2. Instale la bujía en la culata.
3. Apriete la bujía a un par de 27 N m (20 pies libras).

Filtro de aire

NOTA: Hacer funcionar el motor con la cubierta para el funcionamiento en clima frío en condiciones normales puede dañar el motor.

NOTA: Si se utiliza el motor con componentes del filtro de aire sueltos o dañados, se pueden producir averías y desgaste prematuro. Reemplace todos los componentes que estén doblados o dañados.

NOTA: El elemento de papel no puede soplar con aire comprimido.

Quad-Clean™

Mueva los ganchos en la cubierta del filtro de aire hacia abajo; retire los pestillos de debajo de las pestañas de la base y retire la cubierta.

Prefiltro:

1. Retire el prefiltro del elemento de papel.
2. Reemplace o lave el prefiltro con agua tibia con detergente. Enjuague y deje secar al aire.
3. Aceite ligeramente el prefiltro con un nuevo aceite de motor; escurra el exceso de aceite.
4. Reinstale el prefiltro sobre el elemento de papel.

Elemento de papel:

1. Separe el prefiltro del elemento; realice el mantenimiento del prefiltro y reemplace el elemento de papel.
2. Instale el nuevo elemento de papel en la base; instale el prefiltro sobre el elemento de papel.

Coloque la cubierta del filtro de aire para el funcionamiento normal (etiqueta adhesiva del sol hacia afuera) o para el funcionamiento en clima frío (etiqueta adhesiva del copo de nieve hacia afuera); ubique los pestillos debajo de las pestañas en la base y levante los ganchos para asegurar la cubierta.

Bajo perfil

1. Retire el tornillo y la cubierta del filtro de aire.
2. Retire el elemento de espuma de la base.
3. Lave el elemento de espuma con agua tibia con detergente. Enjuague y deje secar al aire.
4. Aceite ligeramente el elemento de espuma con un nuevo aceite de motor; escurra el exceso de aceite.
5. Reinstale el elemento de espuma en la base.
6. Reinstale la cubierta y asegúrela con el tornillo.

Tubo del respirador

Asegúrese de que ambos extremos del tubo del respiradero estén adecuadamente conectados.

Enfriamiento por aire

	⚠ ADVERTENCIA
	Las piezas calientes pueden causar quemaduras graves. No toque el motor durante el funcionamiento o inmediatamente después de pararse.
Nunca utilice el motor sin los escudos o protectores térmicos.	

El enfriamiento adecuado es esencial. Para evitar el sobrecalentamiento, limpie las mallas, las aletas de enfriamiento y otras superficies externas del motor. Evite rociar agua en los haces de cables o cualquiera de los componentes eléctricos. Consulte el Programa de mantenimiento.

Reparaciones/piezas de recambio

Recomendamos que recurra a un distribuidor autorizado de Kohler para cualquier tarea de mantenimiento, servicio y reemplazo de piezas del motor. Para localizar a un distribuidor autorizado de Kohler, visite KohlerEngines.com o llame al 1-800-544-2444 (EE. UU. y Canadá).

Almacenamiento

Si no se hará funcionar el motor por 2 meses o más, siga el procedimiento a continuación.

1. Agregue el tratamiento para combustible PRO Series de Kohler o equivalente al tanque de combustible. Haga funcionar el motor de 2 a 3 minutos para colocar el combustible estabilizado dentro del sistema de combustible (las fallas ocasionadas por la falta de tratamiento del combustible no están cubiertas por la garantía).
2. Cambie el aceite mientras el motor aún está caliente por el funcionamiento. Retire la(s) bujía(s) y vierta alrededor de 30 cc (1 oz) de aceite de motor en el (los) cilindro(s). Reemplace la(s) bujía(s) y arranque el motor lentamente para que se distribuya el aceite.
3. Desconecte el cable negativo (-) de la batería.
4. Guarde el motor en un lugar limpio y seco.

ESS

Localización de averías

No intente reparar o cambiar componentes principales del motor o cualquier elemento que requiera unos procedimientos de ajuste o sincronización especiales. A este trabajo lo debe realizar un distribuidor autorizado de Kohler.

Problema	Causa posible							
	Sin combustible	Combustible inadecuado	Suciedad en la tubería de combustible	Rejilla con residuos	Nivel de aceite incorrecto	Motor sobrecargado	Filtro de aire sucio	Bujía defectuosa
No arranca	•	•	•		•	•	•	•
Arranque con dificultad		•	•		•	•	•	•
Se para de repente	•		•	•	•	•	•	•
Le falta potencia		•	•	•	•	•	•	•
Funciona erráticamente		•	•	•		•	•	•
Golpes o sonidos metálicos		•		•		•		•
Salto o fallos de encendido		•	•	•			•	•
Detonaciones		•	•			•	•	•
Se recalienta		•	•	•	•	•	•	
Consumo de combustible elevado						•	•	•

Especificaciones del motor

Modelo	Orificio	Carrera	Desplazamiento	Capacidad de aceite (rellenado)	Abertura de bujía	Ángulo de funcionamiento máximo (con nivel máximo de aceite)*
CH260	70 mm (2,8 in)	54 mm (2,1 in)	208 cc (12,7 in)	0,60 l (0,63 cuartos de galón estadounidenses)	0,76 mm (0,03 in)	25°
CH270						
CH395	78 mm (3,1 in)	58 mm (2,3 in)	277 cc (16,9 in)	1,1 l (1,16 cuartos de galón estadounidenses)		
CH440	89 mm (3,5 in)	69 mm (2,7 in)	429 cc (24,7 in)			

*Exceder el ángulo de funcionamiento máximo puede producir averías en el motor debido a una lubricación insuficiente.

Puede encontrar información adicional sobre especificaciones en el manual de servicio en KohlerEngines.com.

El Sistema de control de emisiones de escape para los modelos CH260, CH270, CH395 y CH440 es EM para la EPA de EE. UU., California y Europa.

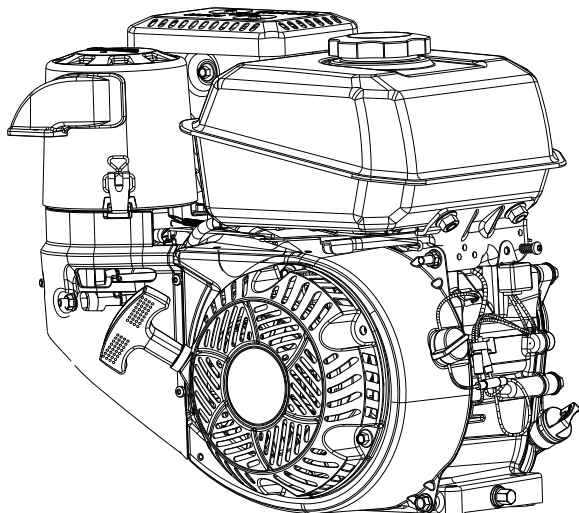
Todas las referencias acerca del caballo (horsepower, hp) de Kohler son capacidades de potencia certificadas (Certified Power Ratings) y cumplen con los estándares de hp SAE J1940 y J1995. Puede encontrar los detalles acerca de las capacidades de potencia certificadas en KohlerEngines.com.

KOHLER® Command PRO®

CH260, CH270, CH395, CH440

Manuel du propriétaire

FRC



IMPORTANT : Lisez toutes les consignes et précautions de sécurité avant d'utiliser le matériel. Veuillez vous reporter aux consignes d'utilisation de l'équipement alimenté par ce moteur.

Le moteur doit être arrêté et de niveau avant d'exécuter tout travail de maintenance ou d'entretien.

La garantie s'applique selon les termes précisés sur la carte de garantie et sur le site KohlerEngines.com. Veuillez vérifier correctement car il s'agit de vos droits et obligations.

Enregistrez les informations concernant le moteur pour référence lors de la commande de pièces ou de demande de couverture de garantie.

Modèle de moteur _____

Spécifications _____

Numéro de série _____

Date d'achat _____

Consignes de sécurité


▲ AVERTISSEMENT : Un danger pouvant entraîner la mort, de graves blessures ou des dommages matériels.

▲ ATTENTION : Un danger pouvant entraîner des blessures légères ou des dommages matériels.


REMARQUE : Cette mention est utilisée pour attirer l'attention sur des détails importants concernant l'installation, l'utilisation ou l'entretien.

	▲ AVERTISSEMENT
	<p>Le carburant explosif peut causer des incendies et de graves brûlures.</p> <p>N'ajoutez pas de carburant si le moteur est chaud ou s'il tourne.</p>


L'essence est extrêmement inflammable et le contact de ses vapeurs avec une source d'allumage peut provoquer une explosion. Entreposez l'essence dans des récipients homologués et dans des bâtiments non occupés, à l'abri des étincelles ou des flammes. Des éclaboussures de carburant peuvent s'enflammer au contact de pièces chaudes ou d'étincelles provenant de l'allumage. N'utilisez jamais d'essence comme agent de nettoyage.

	▲ AVERTISSEMENT
	<p>Le monoxyde de carbone peut causer des nausées graves, des évanouissements ou même la mort.</p> <p>Évitez d'aspirer des gaz d'échappement.</p>


Les gaz d'échappement du moteur contiennent du monoxyde de carbone toxique. Le monoxyde de carbone est inodore, incolore et peut causer la mort en cas d'inhalation.

	▲ AVERTISSEMENT
	<p>Des démarrages accidentels peuvent causer des blessures graves voire mortelles.</p> <p>Débranchez le(s) câble(s) de bougie et mettez-le(s) à la masse avant l'entretien.</p>

Arrêtez le moteur avant d'effectuer des travaux de réparation et d'entretien du moteur ou de l'équipement en suivant les consignes ci-dessous : 1) Débranchez le(s) câble(s) de bougie. 2) Déconnectez le câble de batterie négatif (-) de la batterie.

	▲ AVERTISSEMENT
	<p>Les pièces en rotation peuvent causer de graves blessures.</p> <p>Restez à distance lorsque le moteur est en marche.</p>

Gardez les mains, les pieds, les cheveux et les vêtements éloignés de toutes les pièces mobiles pour éviter les accidents. Ne faites jamais fonctionner le moteur si des couvercles, des enveloppes ou des protections ont été enlevés.

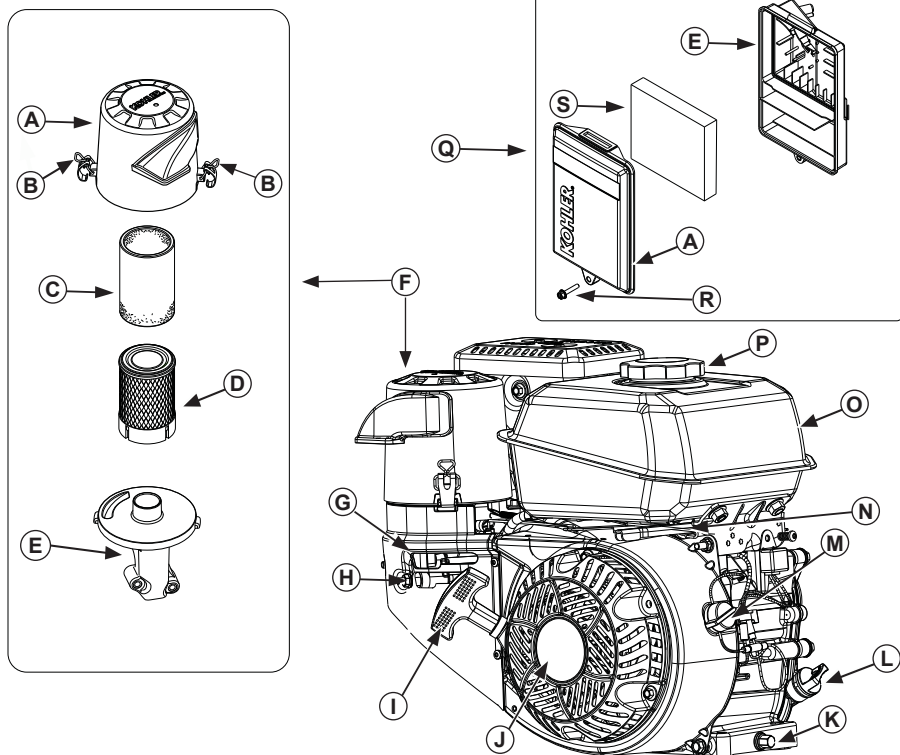
	▲ ATTENTION
	<p>Les chocs électriques peuvent causer des blessures.</p> <p>Ne touchez pas aux fils pendant que le moteur tourne.</p>

	▲ AVERTISSEMENT
	<p>Les pièces chaudes peuvent causer de graves brûlures.</p> <p>Ne touchez pas au moteur pendant qu'il tourne ou si vous venez tout juste de l'arrêter.</p>

Ne faites jamais fonctionner le moteur si des écrans thermiques ou des protections ont été enlevés.

Californie Proposition 65 Avertissement

L'échappement de moteur émanant de ce produit comprend des agents chimiques qui, selon l'État de Californie, sont la cause de cancers, d'anomalies congénitales, ou d'autres lésions génésiques.







A	Couvercle du filtre à air	B	Crochet	C	Préfiltre	D	Élément papier
E	Base du filtre à air	F	Filter Quad-Clean™	G	Levier du starter	H	Soupape de coupure de carburant
I	Poignée du démarreur	J	Démarreur rétractable	K	Bouchon de vidange d'huile	L	Jauge/Bouchon de remplissage d'huile
M	Bouton marche/arrêt (le cas échéant)	N	Levier de l'accélérateur	O	Réservoir de carburant	P	Bouchon de carburant
Q	Filter à air à profil bas	R	Vis	S	Élément en mousse		

Liste de contrôle avant la mise en marche

1. Contrôlez le niveau d'huile. Ajoutez de l'huile si le niveau est bas. Ne remplissez pas excessivement.
2. Contrôlez le niveau de carburant. Ajoutez du carburant si le niveau est bas. Recherchez la présence de fuites sur les conduites et les composants du système d'alimentation en carburant.
3. Vérifiez et nettoyez les zones de refroidissement, les zones d'admission d'air et les surfaces externes du moteur (surtout après rangement).
4. Assurez-vous que le filtre à air et toutes les enveloppes, tous les couvercles d'équipement et toutes les protections sont en place et bien fixés.
5. Vérifiez le pare-étincelles (le cas échéant).

Démarrage

	 AVERTISSEMENT
	Le monoxyde de carbone peut causer des nausées graves, des évanouissements ou même la mort. Évitez d'aspirer des gaz d'échappement.
Les gaz d'échappement du moteur contiennent du monoxyde de carbone toxique. Le monoxyde de carbone est inodore, incolore et peut causer la mort en cas d'inhalation.	

	 AVERTISSEMENT
	Les pièces en rotation peuvent causer de graves blessures. Restez à distance lorsque le moteur est en marche.
Tenez vos mains, pieds, cheveux et vêtements à l'écart de toutes les pièces mobiles pour éviter les blessures. Ne faites jamais fonctionner le moteur si des couvercles, des enveloppes ou des protections ont été enlevés.	

REMARQUE : La position du stater pour démarrer peut varier selon la température et d'autres facteurs. Une fois que le moteur tourne et qu'il est chaud, placez le starter en position « Off » (arrêt).

REMARQUE : Sortez régulièrement la corde de démarrage pour contrôler son état. Si elle est effilochée, elle doit être remplacée immédiatement par un concessionnaire agréé Kohler.

REMARQUE : Ne lancez pas le moteur pendant plus de 10 secondes à la fois. Laissez refroidir sur une période de 60 secondes entre chaque tentative de démarrage. Le non-respect de ces consignes peut endommager le moteur du démarreur.

REMARQUE : Si le moteur atteint une vitesse suffisante pour désengager le démarreur, mais ne maintient pas le régime (un démarrage manqué), il faut attendre l'arrêt complet avant de tenter un nouveau démarrage. Si le démarreur est lancé pendant que le volant-moteur tourne, le pignon du démarreur et la couronne du train planétaire du volant-moteur peuvent entrer en contact et endommager le démarreur.

1. Mettez la soupape de coupure du carburant en position ON (le cas échéant).
2. Mettez le bouton marche/arrêt du moteur en position ON (le cas échéant).
3. Faites démarrer le moteur en procédant de la manière suivante :

Moteur froid : Placez la commande des gaz entre la position SLOW (lent) et FAST (rapide). Placez le starter en position ON (marche).

Moteur chaud : Placez la commande des gaz entre la position SLOW (lent) et FAST (rapide). Si le moteur est chaud, ramenez le starter sur la position OFF, dès que le moteur démarre. Un moteur chaud ne nécessite normalement pas l'utilisation du starter.

4. Démarrage rétractable : Tirez lentement sur la poignée du démarreur en dépassant légèrement le point de compression – ARRÊT ! Ramenez la poignée du démarreur. Tirez fermement en ligne droite pour éviter d'user prématurément la corde sur le guide du démarreur.

Démarrage électrique : Activez le commutateur de démarrage. Relâchez le commutateur aussitôt que le moteur démarre. Si le démarreur n'arrive pas à faire tourner le moteur, coupez-le aussitôt. Rectifiez le problème avant d'essayer de faire démarrer de nouveau le moteur. Ne faites pas démarrer le moteur en utilisant une batterie d'appoint ! Adressez-vous au concessionnaire agréé Kohler pour établir un diagnostic.

5. Ramenez petit à petit le starter en position « OFF » (arrêt) une fois le moteur démarré et chaud. Le moteur/le matériel peut être utilisé pendant le préchauffage, mais il faudra peut-être laisser le starter partiellement ouvert jusqu'à ce que le moteur se réchauffe.

Conseils pour réussir un démarrage par temps froid

1. Utilisez l'huile correspondant aux températures d'air prévues.
2. Éliminez toutes les charges externes.
3. Utilisez du carburant neuf destiné à une utilisation hivernale. L'essence d'hiver possède une volatilité supérieure qui facilite le démarrage.

Arrêt

1. Si cela est possible, retirez la charge en débranchant tous les accessoires entraînés par la prise de mouvement.
2. Le cas échéant, placez la commande des gaz en position de ralenti « SLOW » (lent) ou « LOW » (bas). Arrêtez le moteur.
3. Le cas échéant, fermez la soupape de coupure de carburant.

Angle de fonctionnement

Veillez vous reporter aux consignes d'utilisation du matériel alimenté par ce moteur. Ne poussez pas ce moteur au maximum de ses limites. Voir le tableau des spécifications. Une lubrification insuffisante peut endommager le moteur.

Régime moteur

REMARQUE : Ne modifiez pas le limiteur de vitesse pour augmenter le régime maximal du moteur. La survitesse est dangereuse et annule la garantie.

Fonctionnement à haute altitude

Un kit de carburateur haute altitude peut s'avérer nécessaire pour un bon fonctionnement du moteur à des altitudes supérieures à 1219 mètres (4000 pieds). Pour obtenir des renseignements au sujet du kit haute altitude ou pour trouver un concessionnaire autorisé Kohler, consultez le site KohlerEngines.com ou appelez le 1-800-544-2444 (États-Unis et Canada).

Ce moteur doit fonctionner selon les spécifications initiales en dessous de 1219 mètres (4000 pieds). Des dommages peuvent se produire si un kit de carburateur haute altitude est installé et utilisé à une altitude inférieure à 1219 mètres (4000 pieds).

Formation de glace sur le carburateur



REMARQUE : Faites tourner le moteur avec le couvercle en mode basse température quand les conditions sont normales, peut endommager le moteur.

La glace peut se former dans certaines circonstances sur le carburateur en fonction de la température et de l'humidité. Cette formation de glace provoque un ralenti instable ou des vitesses faibles ainsi qu'une fumée noire ou blanche.

Pour réduire une éventuelle formation de glace, le couvercle du filtre à air peut être tourné pour transmettre l'air chaud provenant du côté du silencieux. Pour un fonctionnement par temps froid, placez le couvercle du filtre à air avec l'étiquette représentant un flocon de neige vers l'extérieur.

Pour un fonctionnement normal, placez le couvercle du filtre à air avec l'étiquette représentant un soleil vers l'extérieur.

Consignes d'entretien

	 AVERTISSEMENT	Arrêtez le moteur avant d'effectuer des travaux de réparation et d'entretien du moteur ou du matériel en suivant les consignes ci-dessous : 1) Débranchez le(s) câble(s) de bougie. 2) Déconnectez le câble de batterie négatif (-) de la batterie.
	Des démarrages accidentels peuvent causer des blessures graves voire mortelles. Débranchez le(s) câble(s) de bougie et mettez-le(s) à la masse avant l'entretien.	

Une maintenance normale ainsi qu'un remplacement ou une réparation des dispositifs et systèmes antipollution peuvent être effectués par n'importe quels établissements ou mécaniciens; mais les réparations sous garantie doivent être effectuées par un concessionnaire agréé Kohler que vous pouvez trouver sur le site KohlerEngines.com ou en téléphonant au 1-800-544-2444 (États-unis et Canada).

Programme d'entretien

Après les 5 premières heures

- Changement de l'huile.

Sur une base annuelle ou toutes les 50 heures

- Entretien/remplacement du préfiltre Quad-Clean™.

Sur une base annuelle ou toutes les 100 heures¹

- Nettoyage de l'élément du filtre à air bas.
- Changement de l'huile.
- Nettoyage des zones de refroidissement.
- Remplacement de la bougie et réglage de l'écartement.

Toutes les 200 heures²

- Vérification et réglage du jeu de soupape lorsque le moteur est froid.

Toutes les 200 heures

- Remplacement de l'élément de filtre à air Quad-Clean™.

Toutes les 300 heures

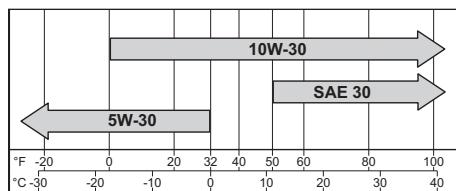
- Remplacement de l'élément du filtre à air bas.
- Vérification des filtres de carburant (filtre de sortie du réservoir et filtre en ligne) et nettoyage ou remplacement si nécessaire (le cas échéant).

¹ Effectuez ces procédures plus fréquemment en cas d'utilisation dans un environnement poussiéreux et sale.

² Confiez ces travaux d'entretien à un concessionnaire agréé Kohler.

Recommandations relatives à l'huile

Pour un meilleur rendement, nous recommandons les huiles Kohler. Utilisez les huiles détergentes de qualité supérieure (y compris les huiles synthétiques) de classe SJ ou supérieure de l'API. Choisissez la viscosité en fonction de la température ambiante au moment de l'utilisation, comme indiqué ci-dessous.



Contrôle du niveau d'huile

REMARQUE : Ne faites jamais tourner le moteur si le niveau d'huile est trop haut ou trop bas, ceci afin d'éviter toute usure ou endommagement du moteur.

Le moteur doit être froid. Nettoyez toutes traces de débris sur les zones du bouchon de remplissage/jauge.

1. Dévissez la jauge, essuyez-la.
 2. Réinsérez la jauge dans le tube. Posez sur le goulot. Tournez dans le sens inverse des aiguilles d'une montre jusqu'à ce que le bouchon atteigne le point le plus bas du filetage. Ne vissez pas le bouchon sur le tube.
 - a. Enlevez la jauge et vérifiez le niveau d'huile. Le niveau doit être en haut sur la jauge.
- ou
- b. Retirez le bouchon de remplissage d'huile. Amener le niveau au point de débordement du goulot de remplissage.

- Si le niveau d'huile est bas, ajoutez de l'huile jusqu'au point de débordement du goulot de remplissage.
- Remettez le bouchon de remplissage/la jauge et serrez fermement.

Vidange d'huile

Changez l'huile pendant que le moteur est encore chaud.

- Nettoyez la surface autour du bouchon de vidange et du bouchon de remplissage/de la jauge.
- Retirez le bouchon de vidange et le bouchon de remplissage/la jauge. Videz complètement l'huile.
- Réinstallez le bouchon de vidange. Serrez au couple de 17,6 N.m 13 pi. lb.
- Remplissez le carter avec une huile neuve jusqu'au point de débordement du goulot de remplissage.
- Remettez en place le bouchon/la jauge et serrez fermement.
- Mettez au rebut l'huile usée en respectant la réglementation locale.

Oil Sentry™ (le cas échéant)

Ce commutateur est conçu pour éviter au moteur de démarrer s'il n'y a pas d'huile ou si le niveau est bas. Le commutateur Oil Sentry™ peut ne pas couper un moteur qui tourne avant que les dommages ne se produisent. Dans certaines applications, il peut activer un signal d'avertissement. Consultez les manuels de votre matériel pour en savoir plus.

Recommandations relatives à l'huile

	<p>⚠ AVERTISSEMENT</p> <p>Le carburant explosif peut causer des incendies et de graves brûlures.</p> <p>N'ajoutez pas de carburant si le moteur est chaud ou s'il tourne.</p>
	<p>L'essence est extrêmement inflammable et le contact de ses vapeurs avec une source d'allumage peut provoquer une explosion. Entrepochez l'essence dans des récipients homologués et dans des bâtiments non occupés, à l'abri des étincelles ou des flammes. Des éclaboussures de carburant peuvent s'enflammer au contact de pièces chaudes ou d'étincelles provenant de l'allumage. N'utilisez jamais d'essence comme agent de nettoyage.</p>

REMARQUE : E15, E20 et E85 NE sont PAS compatibles et NE doivent PAS être utilisés. Du carburant trop vieux, périmé ou contaminé peuvent provoqués des dommages non couverts par la garantie.

Le carburant doit correspondre à ces exigences :

- Propre, neuf, sans plomb.
- Indice d'octane de 87 (R+M)/2 ou plus.
- Méthode RON (Research Octane Number), indice minimum d'octane de 90.
- L'essence contenant jusqu'à 10 % d'alcool éthylique, 90 % d'essence sans plomb est compatible.
- Les mélanges de méthyl tertiaire butyl éther (MTBE) et d'essence sans plomb (jusqu'à un maximum de 15 % de MTBE par volume) sont homologués.
- N'ajoutez pas d'huile dans l'essence.
- Ne remplissez pas trop le réservoir de carburant.
- N'utilisez pas l'essence si elle a plus de 30 jours.

FRC

Ajout de carburant

	<p>⚠ AVERTISSEMENT</p> <p>Le carburant explosif peut causer des incendies et de graves brûlures.</p> <p>N'ajoutez pas de carburant si le moteur est chaud ou s'il tourne.</p>
	<p>L'essence est extrêmement inflammable et le contact de ses vapeurs avec une source d'allumage peut provoquer une explosion. Entrepochez l'essence dans des récipients homologués et dans des bâtiments non occupés, à l'abri des étincelles ou des flammes. Des éclaboussures de carburant peuvent s'enflammer au contact de pièces chaudes ou d'étincelles provenant de l'allumage. N'utilisez jamais d'essence comme agent de nettoyage.</p>

Le moteur doit être froid.

- Nettoyez la zone autour du bouchon de carburant.
- Retirez le bouchon. Remplissez jusqu'à la base du goulot de remplissage. Ne pas trop remplir le réservoir de carburant. Laisser de la place afin que le carburant puisse se dilater.
- Remettez en place bouchon de carburant et serrez fermement.

Canalisation de carburant

Des conduites de carburant à faible perméation doivent être installées sur les moteurs Kohler Co. pour être en conformité avec la réglementation EPA et CARB.

Soupape de carburant

Les moteurs sont équipés d'une soupape de carburant et d'un filtre intégré qui se trouvent au niveau de l'entrée du carburateur. Le débit de carburant est ainsi contrôlé et filtré du réservoir au carburateur. Nettoyez la coupelle de la soupape de carburant.

1. Retirez les deux écrous, les deux vis et le panneau du couvercle de carburateur.
2. Tournez le levier de soupape de carburant en position OFF (arrêt).
3. Retirez la coupelle de la soupape de carburant. Retirez le joint torique et la crépine.
4. Nettoyez avec un solvant la coupelle de soupape de carburant et la crépine, puis essuyez-les.
5. Vérifiez le joint torique et la crépine. Remplacez-les en cas de dommages.
6. Réinstallez le joint-torique, puis la coupelle de soupape de carburant. Tournez la coupelle de la soupape de carburant à la main. Tournez de 1/2 à 3/4 de tour avec une clé.
7. Tournez la soupape de carburant en position « On » et contrôlez pour détecter toute fuite. En cas de fuite, répétez les points 5 et 6.
8. Serrez fermement le bouchon de carburant.
9. Réinstallez le panneau du couvercle du carburateur avec le matériel retiré au cours de l'étape 1.

Bougies



ATTENTION

Les chocs électriques peuvent causer des blessures.

Ne touchez pas aux fils pendant que le moteur tourne.

Nettoyez la rainure de bougie. Retirez la bougie et la remplacer.

1. Vérifiez l'écartement à l'aide d'une jauge d'épaisseur. Pour ajuster l'écartement, voir le tableau des spécifications.
2. Installez la bougie sur la culasse.
3. Serrez au couple de 27 N.m 20 pi. lb.

Filtre à air

REMARQUE : Faites tourner le moteur avec le couvercle en mode basse température quand les conditions sont normales, peut endommager le moteur.

REMARQUE : L'utilisation du moteur avec des éléments du filtre à air détachés ou endommagés risque de provoquer une usure prématurée et des défaillances du moteur. Remplacez tous les composants tordus ou endommagés.

REMARQUE : L'élément papier ne peut pas être nettoyé à l'air comprimé.

Filtre Quad-Clean™

Abaissez les crochets sur le couvercle du filtre à air. Retirez les attaches du dessous des pattes sur la base. Retirez le couvercle.

Préfiltre :

1. Séparez le préfiltre de l'élément papier.
2. Remplacez ou lavez le préfiltre dans de l'eau tiède savonneuse. Rincez, puis laissez sécher à l'air.
3. Graissez légèrement le préfiltre d'huile moteur neuve. Éliminez l'excès d'huile.
4. Réinstallez le préfiltre sur l'élément papier.

Élément en papier :

1. Séparez le préfiltre de l'élément; faites un entretien du préfiltre et remplacez l'élément papier.
2. Installez le nouvel élément papier sur la base. Installez le préfiltre sur l'élément papier.

Placez le couvercle du filtre à air en mode normal (étiquette soleil vers l'extérieur) ou en mode climat froid (étiquette flocon de neige vers l'extérieur). Placez les attaches sous les pattes de la base. Soulevez les crochets pour fixer le couvercle.


Profil bas

1. Retirez la vis et le couvercle du filtre à air.
2. Retirez l'élément en mousse de la base.
3. Lavez l'élément en mousse dans de l'eau tiède savonneuse. Rincez, puis laissez sécher à l'air.
4. Graissez légèrement l'élément en mousse d'huile moteur neuve. Éliminez l'excès d'huile.
5. Réinstallez l'élément en mousse dans la base.
6. Réinstallez le couvercle et serrez-le avec une vis.

Tube du reniflard

Vérifiez la connexion des deux extrémités du tube de reniflard.

Système de refroidissement par air

	 AVERTISSEMENT
	<p>Les pièces chaudes peuvent causer de graves brûlures.</p> <p>Ne touchez pas au moteur pendant qu'il tourne ou si vous venez tout juste de l'arrêter.</p>
<p>Ne faites jamais fonctionner le moteur si des écrans thermiques ou des protections ont été enlevés.</p>	

FRC

Il est essentiel d'avoir un système de refroidissement. Pour éviter une surchauffe, nettoyez les crépines, les ailettes de refroidissement et autres surfaces externes du moteur. Évitez de vaporiser de l'eau sur le faisceau de câblage ou sur un composant électrique. Voir Programme d'entretien.

Réparations/Pièces détachées

Nous vous recommandons d'utiliser les services d'un concessionnaire Kohler agréé pour tous les travaux de maintenance et d'entretien, ainsi que pour l'achat de pièces de rechange du moteur. Pour trouver un concessionnaire autorisé Kohler, consultez le site KohlerEngines.com ou appelez le 1-800-544-2444 (États-Unis et Canada).

Entreposage

Si vous ne prévoyez pas d'utiliser le moteur pendant deux mois ou plus, suivez les procédures d'entreposage suivantes :

1. Ajoutez un produit de traitement du carburant Kohler PRO Series ou similaire dans le réservoir de carburant. Faites tourner le moteur 2 à 3 minutes pour stabiliser le carburant dans le circuit (les anomalies liées à du carburant non traité ne sont pas garanties).
2. Changez l'huile pendant que le moteur est encore chaud. Retirez la ou les bougies et versez environ 1 oz d'huile moteur dans le ou les cylindres. Retirez la ou les bougies et lancez le moteur lentement pour distribuer l'huile.
3. Déconnectez le câble négatif (-) de la batterie.
4. Entrepochez le moteur dans un endroit propre et sec.

Recherche de pannes

N'essayez pas de réparer ou remplacer les principaux composants du moteur ou tout élément nécessitant des mesures ou réglages spéciaux. Ce travail doit être réalisé par un concessionnaire agréé Kohler.

Problème	Causes possibles							
	Pas de carburant	Carburant de type incorrect	Obstruction de la conduite de carburant	Grille à débris sale	Niveau d'huile incorrect	Surcharge du moteur	Filtre à air sale	Bougie défectueuse
Démarrage impossible	•	•	•		•	•	•	•
Démarrage difficile		•	•		•	•	•	•
Arrêt soudain	•		•	•	•	•	•	•
Manque de puissance		•	•	•	•	•	•	•
Fonctionnement erratique		•	•	•		•	•	•
Cognements ou détonations		•		•		•		•
Ratés du moteur ou étouffement		•	•	•			•	•
Retours de flammes		•	•			•	•	•
Surchauffes		•	•	•	•	•	•	
Consommation trop élevée						•	•	•

Spécifications du moteur

Modèle	Alésage	Course	Cylindrée	Capacité d'huile (remplissage)	Écartement de la bougie	Angle d'opération maximal (à plein niveau d'huile)*
CH260	70 mm (2,8 po)	54 mm (2,1 po)	208 cc (12,7 po)	0,60 L (0,63 pinte américaine)	0,76 mm. (0,03 in)	25°
CH270						
CH395	78 mm (3,1 po)	58 mm (2,3 po)	277 cc (16,9 po)	1,1 L (1,16 pinte américaine)		
CH440	89 mm (3,5 po)	69 mm (2,7 po)	429 cc (24,7 po)			

*Un angle de fonctionnement trop important peut causer des dommages du moteur liés à un manque de lubrification.

Plus de détails concernant les spécifications sont donnés dans le manuel d'entretien sur le site KohlerEngines.com.

Le système antipollution de l'échappement pour les modèles CH260, CH270, CH395, CH440 est EM pour U.S. EPA, Californie et Europe.

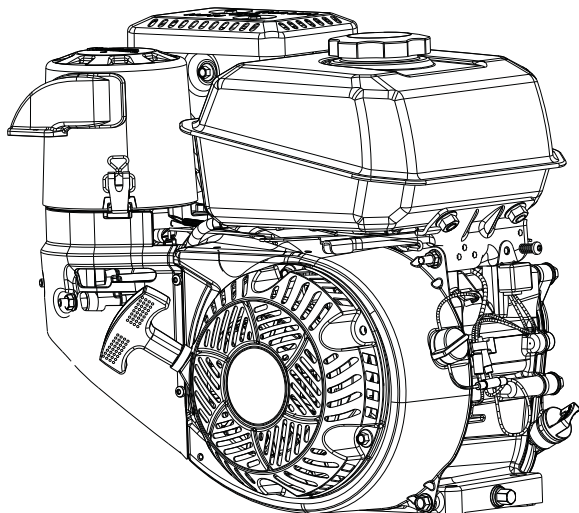
Toutes les références de puissance (cv) de Kohler sont des valeurs nominales certifiées et correspondent aux normes de puissance SAE J1940 & J1995. Les détails concernant les valeurs nominales de puissance certifiées sont donnés sur le site KohlerEngines.com.

KOHLER® Command PRO®

CH260, CH270, CH395, CH440

Manuel du propriétaire

FRF



IMPORTANT : Lisez attentivement toutes les instructions et consignes de sécurité avant de faire fonctionner l'équipement. Lisez les instructions d'utilisation de l'équipement entraîné par ce moteur.

Assurez-vous que le moteur est éteint et droit avant de réaliser la maintenance ou une réparation.

La couverture de garantie est définie dans la fiche de garantie et sur KohlerEngines.com. Veuillez l'examiner attentivement car elle vous procure des droits et des obligations spécifiques.

Notez les informations du moteur à fournir lors des commandes de pièces ou des demandes de couverture de garantie.

Modèle de moteur _____

Spécifications _____

Numéro de série _____

Date d'achat _____


Précautions de sécurité


⚠ AVERTISSEMENT : Un danger pouvant entraîner la mort, des blessures graves ou des dégâts matériels importants.


⚠ ATTENTION : Un danger pouvant entraîner des blessures corporelles ou des dégâts matériels mineurs.


REMARQUE : s'utilise pour attirer l'attention sur des informations importantes concernant l'installation, l'utilisation ou l'entretien.

	<p>⚠ AVERTISSEMENT</p> <p>Le carburant explosif peut causer des incendies et de graves brûlures.</p> <p>Ne pas remplir le réservoir de carburant quand le moteur est chaud ou en marche.</p>
	<p>L'essence est extrêmement inflammable et le contact de ses vapeurs avec une source d'allumage peut provoquer une explosion. Entreposer l'essence uniquement dans des conteneurs homologués et dans des bâtiments non occupés et bien aérés, à l'abri des étincelles ou des flammes. Du carburant renversé peut s'enflammer au contact de pièces chaudes ou d'étincelles au moment de l'allumage. Ne jamais utiliser d'essence en tant qu'agent de nettoyage.</p>

	<p>⚠ AVERTISSEMENT</p> <p>L'oxyde de carbone peut provoquer d'importantes nausées, l'évanouissement ou la mort.</p> <p>Éviter d'inhaler les gaz d'échappement.</p>
	<p>Les gaz d'échappement du moteur contiennent de l'oxyde de carbone toxique. L'oxyde de carbone est inodore, incolore et peut causer la mort en cas d'inhalation.</p>

	<p>⚠ AVERTISSEMENT</p> <p>Un démarrage accidentel risque de provoquer de graves blessures ou la mort.</p> <p>Déconnecter et mettre à la masse le(s) câble(s) de la bougie avant de procéder à l'entretien.</p>
	<p>Arrêter le moteur avant de travailler sur le moteur ou l'équipement en suivant les directives ci-dessous : 1) Déconnecter le ou les câbles des bougies d'allumage. 2) Déconnectez le câble de batterie négatif (-) de la batterie.</p>

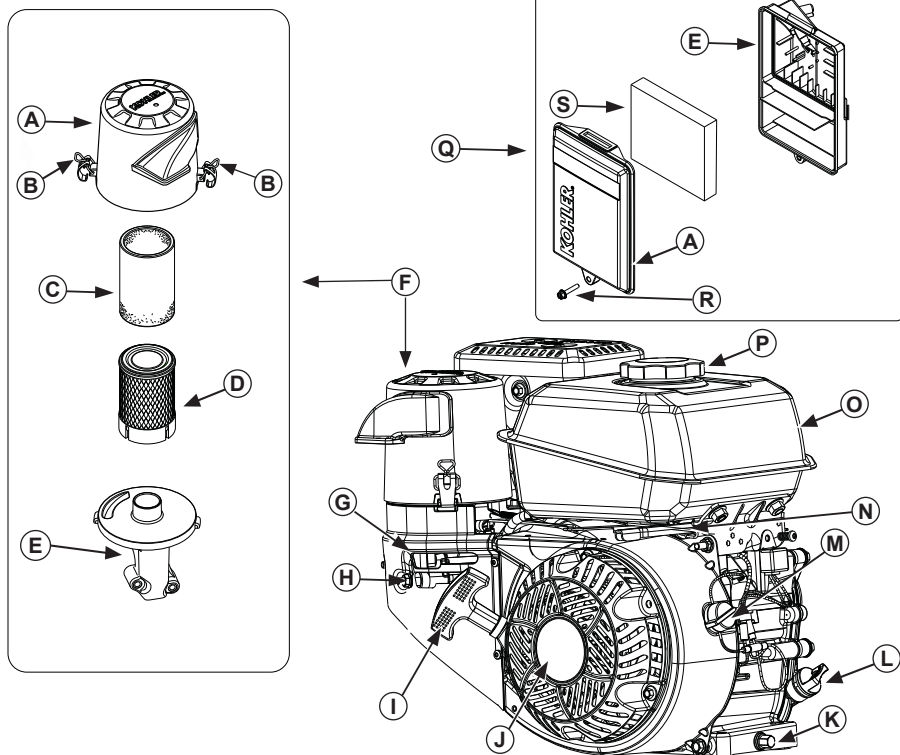
	<p>⚠ AVERTISSEMENT</p> <p>Les pièces en rotation peuvent causer de graves blessures.</p> <p>Rester à distance lorsque le moteur est en marche.</p>
	<p>Garder les mains, les pieds, les cheveux et les vêtements éloignés de toutes les pièces mobiles pour éviter les accidents. Ne jamais utiliser le moteur si les couvercles, capots ou carters de protection ont été enlevés.</p>

	<p>⚠ ATTENTION</p> <p>Une décharge électrique peut provoquer des blessures.</p> <p>Ne pas toucher les fils lorsque le moteur est en marche.</p>
---	--

	<p>⚠ AVERTISSEMENT</p> <p>Les pièces chaudes peuvent causer de graves brûlures.</p> <p>Ne pas toucher le moteur lorsqu'il fonctionne ou juste après son arrêt.</p>
	<p>Ne jamais utiliser le moteur si les protections thermiques ont été enlevées.</p>

Californie Proposition 65 Avertissement

Les gaz d'échappement de ce produit contiennent des produits chimiques connus dans l'Etat de Californie pour provoquer des cancers, des malformations congénitales ou d'autres problèmes liés à la reproduction.




A	Couvercle du filtre à air	B	Anse	C	Préfiltre	D	Élément en papier
E	Base du filtre à air	F	Filtre à air Quad-Clean™	G	Levier du starter	H	Solénoïde d'arrêt du carburant
I	Poignée du démarreur	J	Démarreur rétractable	K	Bouchon de vidange d'huile	L	Jauge/Bouchon de remplissage d'huile
M	Interrupteur On/Off (marche/arrêt) (le cas échéant)	N	Levier de l'accélérateur	O	Réservoir de carburant	P	Bouchon de carburant
Q	Filtre à air à profil bas	R	Vis	S	Élément en mousse		

Liste de contrôle avant la mise en marche

1. Contrôle du niveau d'huile Ajoutez de l'huile si le niveau est bas. Ne remplissez pas excessivement.
2. Contrôlez le niveau de carburant. Ajoutez du carburant si le niveau est bas. Vérifiez les composants et les canalisations du système de carburant pour détecter d'éventuelles fuites.
3. Contrôlez et nettoyez les surfaces de refroidissement, les surfaces de l'admission d'air et les surfaces externes du moteur (particulièrement après le remisage).
4. Vérifiez que les composants du filtre à air et toutes les protections, couvercles, etc. sont en place et solidement fixés.
5. Vérifiez le pare-étincelles (le cas échéant).

Démarrage

	⚠ AVERTISSEMENT
	L'oxyde de carbone peut provoquer d'importantes nausées, l'évanouissement ou la mort. Éviter d'inhaler les gaz d'échappement.
Les gaz d'échappement du moteur contiennent de l'oxyde de carbone toxique. L'oxyde de carbone est inodore, incolore et peut causer la mort en cas d'inhalation.	

	⚠ AVERTISSEMENT
	Les pièces en rotation peuvent causer de graves blessures. Rester à distance lorsque le moteur est en marche.
Garder les mains, les pieds, les cheveux et les vêtements éloignés de toutes les pièces mobiles pour éviter les accidents. Ne jamais utiliser le moteur si les couvercles, capots ou carters de protection ont été enlevés.	

REMARQUE : La position de démarrage du starter peut varier en fonction de la température et d'autres facteurs. Une fois que le moteur tourne et qu'il est chaud, ramenez le starter sur la position OFF.

REMARQUE : Sortez périodiquement la corde de démarrage pour contrôler son état. Si elle est effilochée, elle doit être remplacée immédiatement par un revendeur agréé Kohler.

REMARQUE : Ne démarrez pas le moteur pendant plus de 10 secondes de manière continue. Laissez-le refroidir pendant 60 secondes entre chaque essai de démarrage. Le non-respect de ces instructions peut résulter en une avarie du corps du démarreur.

REMARQUE : Si le moteur atteint un régime suffisant pour désactiver le démarreur mais s'arrête de tourner (faux démarrage), attendez l'arrêt complet des rotations du moteur avant d'effectuer un nouvel essai de démarrage. Si le démarreur est activé pendant que le volant tourne, le pignon du démarreur et la couronne dentée du volant risquent de se heurter et donc d'abîmer le démarreur.

1. Mettez la soupape de fermeture du carburant sur la position ON (le cas échéant).
2. Mettez l'interrupteur ON/OFF du moteur sur la position ON (si disponible).
3. Procédez comme suit pour démarrer le moteur :

Moteur froid : Placez la commande de l'accélérateur à mi-chemin entre les positions SLOW et FAST. Placez la commande du starter sur la position ON.

Moteur chaud : Placez la commande de l'accélérateur à mi-chemin entre les positions SLOW et FAST. Remettez le starter en position OFF dès que le moteur démarre. Un moteur chaud ne nécessite normalement pas l'utilisation du starter.

4. Démarreur rétractable : Tirez lentement la poignée du démarreur jusqu'à passer de très peu la compression – ARRÊTEZ ! Ramenez la poignée : tirez fermement et tout droit pour éviter toute usure excessive de la corde sur le guide du démarreur.

Démarreur électrique : Appuyez sur l'interrupteur du démarreur. Relâchez l'interrupteur dès que le moteur démarre. Si le démarreur n'entraîne pas le moteur, arrêtez-le immédiatement. N'essayez pas de démarrer le moteur tant que le problème n'a pas été résolu. Ne démarrez pas en utilisant une batterie d'appoint. Consultez votre revendeur agréé Kohler pour qu'il analyse le problème.

5. Ramenez progressivement la commande du starter sur la position OFF dès que le moteur démarre et chauffe. Le moteur/l'équipement peuvent être utilisés durant la période de réchauffement, mais il peut être nécessaire de conserver partiellement le starter jusqu'à ce que le moteur soit chaud.

Conseils de démarrage par temps froid

1. Utilisez de l'huile adaptée aux températures prévues.
2. Dégagez toute éventuelle charge externe.
3. Utilisez du carburant frais spécial hiver. Le carburant spécial hiver est d'une volatilité supérieure qui facilite le démarrage.

Arrêt

1. Si vous en avez la possibilité, retirez la charge en déconnectant tous les équipements entraînés par la transmission.
2. Le cas échéant, passez la commande de l'accélérateur sur la position lente ou de ralenti. Arrêtez le moteur.
3. Le cas échéant, fermez le robinet du carburant.

Angle de fonctionnement

Lisez les instructions d'utilisation de l'équipement entraîné par ce moteur. Ne faites pas tourner ce moteur à un angle supérieur à l'angle de fonctionnement maximum (voir le tableau de spécifications). La lubrification insuffisante risquerait d'endommager le moteur.

Vitesse du moteur

REMARQUE : N'essayez pas de modifier le réglage du gouverneur pour augmenter la vitesse maximale du moteur. La survitesse est dangereuse et annule la garantie.

Fonctionnement en haute altitude

Ce moteur peut nécessiter un kit carburateur haute altitude pour fonctionner correctement à des altitudes supérieures à 1219 mètres (4000 ft). Pour obtenir des informations sur le kit haute altitude FRF ou pour trouver un revendeur agréé Kohler, visitez KohlerEngines.com ou appelez le 1-800-544-2444 (U.S.A. et Canada).

À des altitudes inférieures 1219 mètres (4000 ft), ce moteur doit fonctionner dans sa configuration d'origine car l'installation et l'utilisation du kit carburateur haute altitude en dessous de ces altitudes peuvent causer des dégâts.

Givrage du carburateur



REMARQUE : Le fonctionnement du moteur avec le couvercle pour fonctionnement par temps froid dans des conditions de service normales peut entraîner des dommages.

Le givrage du carburateur peut se produire quand certaines combinaisons de température et d'humidité sont réunies. Le givrage du carburateur est responsable du mauvais fonctionnement du moteur au ralenti ou à des vitesses faibles et de la formation de fumée noire.

Pour réduire le risque de givrage du carburateur, tournez le couvercle du filtre à air pour attirer l'air chaud du côté silencieux. Pour le fonctionnement par temps froid, placez le couvercle du filtre à air avec l'image du flocon vers l'extérieur.

Pour le fonctionnement normal, placez le couvercle du filtre à air avec l'image du soleil vers l'extérieur.

Instructions de maintenance

	 AVERTISSEMENT	Arrêter le moteur avant d'effectuer des travaux de réparation et d'entretien du moteur ou de l'équipement en suivant les directives ci-dessous : 1) Déconnecter le ou les câbles des bougies d'allumage. 2) Déconnectez le câble de batterie négatif (-) de la batterie.
	Un démarrage accidentel risque de provoquer de graves blessures ou la mort. Déconnecter et mettre à la masse le ou les câbles de bougie avant de procéder à l'entretien.	

Les mesures normales de maintenance, remplacement ou réparation des dispositifs et systèmes de contrôle des émissions peuvent être effectuées par tout individu ou atelier de réparation ; cependant les réparations couvertes par la garantie doivent être effectuées par un revendeur agréé Kohler que vous trouverez sur KohlerEngines.com ou en appelant le 1-800-544-2444 (U.S.A. et Canada).

Calendrier de maintenance

Après les 5 premières heures

- Vidanger l'huile.

Toutes les 50 heures ou tous les ans

- Faire l'entretien/remplacer le préfiltre Quad-Clean™.

Toutes les 100 heures ou tous les ans¹

- Nettoyer l'élément du filtre à air à profil bas.
- Vidanger l'huile.
- Nettoyer les zones de refroidissement.
- Remplacer la bougie et régler l'écartement.

Toutes les 200 heures²

- Vérifier et ajuster le jeu de soupape lorsque le moteur est froid.

Toutes les 200 heures

- Remplacer l'élément du filtre à air Quad-Clean™.

Toutes les 300 heures

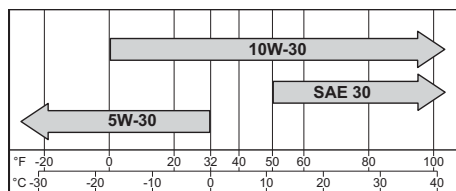
- Remplacer l'élément du filtre à air à profil bas.
- Vérifier les filtres à huile (filtre de la sortie du réservoir et filtre sur canalisation) et les nettoyer ou les remplacer si nécessaire (le cas échéant).

¹ Appliquer ces procédures plus fréquemment en cas d'utilisation dans un environnement hostile, poussiéreux et sale.

² Faites appel à un revendeur agréé Kohler pour réaliser ce type d'entretien.

Recommandations concernant l'huile

Nous recommandons l'utilisation des huiles Kohler pour des performances optimales. D'autres huiles détergentes (y compris les huiles synthétiques) de haute qualité de l'API (American Petroleum Institute) de catégorie SJ ou supérieure sont acceptables. Sélectionnez la viscosité en fonction de la température ambiante au moment de l'utilisation, comme indiqué dans le tableau ci-dessous.



Contrôle du niveau d'huile

REMARQUE : Pour éviter d'user ou d'endommager gravement le moteur, ne le faites jamais fonctionner avec un niveau d'huile inférieur ou supérieur à l'indicateur des limites de la jauge.

Vérifiez que le moteur est froid. Dégagez les zones de remplissage d'huile/de la jauge de tout débris.

1. Retirez la jauge et essuyez l'huile.
2. Réinsérez la jauge dans le tube en la faisant reposer sur le goulot de remplissage. Tournez dans le sens inverse des aiguilles d'une montre jusqu'à ce que le bouchon soit vissé à fond. Ne vissez pas le bouchon sur le tube.
 - a. Retirez la jauge et contrôlez le niveau d'huile. Le niveau doit se trouver en haut de l'indicateur de la jauge.

ou
 - b. Retirez le bouchon de remplissage d'huile. Le niveau doit se trouver au niveau du point de débordement du goulot de remplissage.

- Si le niveau d'huile est bas, ajoutez de l'huile jusqu'au point de débordement du goulot de remplissage.
- Remettez en place la jauge ou le bouchon de remplissage d'huile et serrez fermement.

Vidange de l'huile

Changez l'huile lorsque le moteur est chaud.

- Nettoyez la zone située autour du bouchon de remplissage d'huile/de la jauge et du bouchon de vidange.
- Retirez le bouchon de vidange et le bouchon de remplissage d'huile/la jauge. Videz l'huile complètement.
- Remettez le bouchon de vidange. Serrez au couple 17.6 N·m (13 ft. lb.).
- Remplissez le carter d'huile neuve jusqu'au point de débordement du goulot de remplissage.
- Remettez en place le bouchon/la jauge et serrez fermement.
- Mettez l'huile usée au rebut conformément aux réglementations locales.

Oil Sentry™ (le cas échéant)

Ce pressostat est conçu pour empêcher le moteur de démarrer sans huile ou avec peu d'huile. Il se peut que le pressostat Oil Sentry™ n'arrête pas le moteur en marche avant que des dommages ne se produisent. Dans certaines applications, il peut activer un signal d'avertissement. Consultez les manuels de vos équipements pour davantage d'informations.

Recommandations concernant le carburant

	⚠ AVERTISSEMENT
	Le carburant explosif peut causer des incendies et de graves brûlures. Ne pas remplir le réservoir de carburant quand le moteur est chaud ou en marche.

L'essence est extrêmement inflammable et le contact de ses vapeurs avec une source d'allumage peut provoquer une explosion. Entreposer l'essence uniquement dans des conteneurs homologués et dans des bâtiments non occupés et bien aérés, à l'abri des étincelles ou des flammes. Du carburant renversé peut s'enflammer au contact de pièces chaudes ou d'étincelles au moment de l'allumage. Ne jamais utiliser d'essence en tant qu'agent de nettoyage.

REMARQUE : Les mélanges E15, E20 et E85 NE sont PAS approuvés et NE doivent PAS être utilisés. Les effets d'un carburant vieux, vicié ou contaminé ne sont pas couverts par la garantie.

Le carburant doit répondre aux exigences suivantes :

- Essence sans plomb propre et neuve.
- Indice d'octane de 87 (R+M)/2 ou plus.
- Indice d'octane recherche (RON) de 90 minimum.
- Les mélanges de jusqu'à 10 % d'alcool éthylique et 90 % d'essence sans plomb sont acceptables.
- Les mélanges de méthyle tertiaire butyle éther (MTBE) et d'essence sans plomb (max 15 % de MTBE par volume) sont approuvés. FRF
- Ne pas ajouter d'huile à l'essence.
- Ne pas trop remplir le réservoir de carburant.
- Ne pas utiliser d'huile ayant plus de 30 jours.

Ajout de carburant

	⚠ AVERTISSEMENT
	Le carburant explosif peut causer des incendies et de graves brûlures. Ne pas remplir le réservoir de carburant quand le moteur est chaud ou en marche.
L'essence est extrêmement inflammable et le contact de ses vapeurs avec une source d'allumage peut provoquer une explosion. Entreposer l'essence uniquement dans des conteneurs homologués et dans des bâtiments non occupés et bien aérés, à l'abri des étincelles ou des flammes. Du carburant renversé peut s'enflammer au contact de pièces chaudes ou d'étincelles au moment de l'allumage. Ne jamais utiliser d'essence en tant qu'agent de nettoyage.	

Vérifiez que le moteur est froid.

- Nettoyez la zone située autour du bouchon de carburant.
- Retirez le bouchon du carburant. Remplissez jusqu'à la base du goulot de remplissage. Ne pas trop remplir le réservoir de carburant. Laisser de la place afin que le carburant puisse se dilater.
- Remettez le bouchon de carburant en place et serrez fermement.

Canalisation de carburant

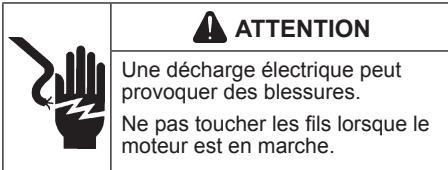
Une canalisation de carburant à faible perméation doit être installée sur les moteurs à carburateur Kohler Co. pour être en conformité avec les réglementations EPA et CARB.

Soupape de carburant

Les moteurs sont équipés d'un robinet de carburant et d'un filtre à tamis intégral situé à l'entrée du carburateur. Ce dispositif contrôle et filtre le débit de carburant du réservoir au carburateur. Dégagez le guide du robinet de carburant de tout débris.

1. Retirez deux écrous, deux vis et le panneau de protection du carburateur.
2. Placez le levier du robinet de carburant sur la position OFF.
3. Retirez le guide du robinet de carburant. Retirez le joint torique et le tamis du filtre.
4. Nettoyez le tamis et le guide du robinet avec du solvant et essuyez-les.
5. Vérifiez le tamis et le joint torique et remplacez-les s'ils sont endommagés.
6. Remettez en place le joint torique, puis le guide du robinet de carburant. Faites pivoter le guide du robinet de carburant jusqu'à ce qu'il soit serré (à la main). Tourner de 1/2 à 3/4 de tour avec une clé.
7. Tournez le robinet de carburant sur la position ON et contrôlez pour détecter toute fuite. En cas de fuite, reprenez les étapes 5 et 6.
8. Serrez fortement le bouchon de carburant.
9. Remettez en place le panneau de protection du carburateur à l'aide des vis retirées à l'étape 1.

Bougies



Nettoyez le puits de bougie. Retirez la bougie et remplacez-la.

1. Contrôlez l'écartement à l'aide d'un calibre. Ajustez l'écartement (voir le tableau de spécifications d'ajustement).
2. Installez la bougie dans la culasse.
3. Serrez la bougie au couple 27 N m (20 ft. lb.).

Filtre à air

REMARQUE : Le fonctionnement du moteur avec le couvercle pour fonctionnement par temps froid dans des conditions de service normales peut entraîner des dommages.

REMARQUE : Le fonctionnement du moteur avec des composants du filtre à air desserrés ou endommagés peut provoquer l'usure prématurée et la défaillance du moteur. Remplacez tous les composants tordus ou abîmés.

REMARQUE : N'utilisez pas d'air comprimé sur l'élément en papier.

Quad-Clean™

Abaissez les anses du couvercle du filtre à air. Retirez les crochets de sous les butées de la base. Retirez le couvercle.

Préfiltre :

1. Retirez le préfiltre de l'élément en papier.
2. Remplacez ou lavez le préfiltre dans de l'eau chaude additionnée de détergent. Rincez et laissez sécher.
3. Huilez légèrement le préfiltre avec de l'huile moteur neuve. Éliminez l'excès d'huile.
4. Remettez en place le préfiltre sur l'élément en papier.

Élément en papier :

1. Séparez le préfiltre de l'élément en papier. Faites l'entretien du préfiltre et remplacez l'élément en papier.
2. Installez le nouvel élément en papier sur la base. Installez le préfiltre sur l'élément en papier.

Placez le couvercle du filtre à air en position de fonctionnement normal (soleil vers l'extérieur) ou de fonctionnement par temps froid (flocon vers l'extérieur). Insérez les crochets sous les butées de la base. Levez les anses pour fixer le couvercle.



Low-Profile

1. Retirez la vis et le couvercle du filtre à air.
2. Retirez l'élément en mousse de la base.
3. Lavez l'élément en mousse dans de l'eau chaude additionnée de détergent. Rincez et laissez sécher.
4. Huilez légèrement l'élément en mousse avec de l'huile moteur neuve. Éliminez l'excès d'huile.
5. Remettez l'élément en mousse dans la base.
6. Remettez le couvercle et fixez-le avec la vis.

Tube du reniflard

Vérifiez que les deux extrémités du tuyau du reniflard sont correctement raccordées.

Refroidissement par air

	 AVERTISSEMENT
	<p>Les pièces chaudes peuvent causer de graves brûlures.</p> <p>Ne pas toucher le moteur lorsqu'il fonctionne ou juste après son arrêt.</p>
<p>Ne jamais utiliser le moteur si les protections thermiques ont été enlevées.</p>	

Un refroidissement adéquat est essentiel. Pour éviter la surchauffe, nettoyez les tamis, les ailettes de refroidissement et autres surfaces externes du moteur. Évitez de pulvériser de l'eau sur le faisceau de câbles ou les composants électroniques. Vérifiez le calendrier de maintenance.

Réparations/Pièces de rechange

Nous vous recommandons de faire appel à un revendeur agréé Kohler pour tout ce qui touche à la maintenance, la réparation et les pièces de rechange des moteurs. Pour trouver un revendeur agréé Kohler, visitez KohlerEngines.com ou appelez le 1-800-544-2444 (U.S.A. et Canada).

Remisage

Si le moteur ne va pas être utilisé pendant au moins 2, veuillez suivre les procédures suivantes :

1. Ajoutez un produit de traitement du carburant Kohler PRO Series ou équivalent dans le réservoir de carburant. Faites tourner le moteur pendant 2 à 3 minutes pour que le carburant se stabilise dans le système de carburant (les défaillances dues à un carburant non traité ne sont pas couvertes par la garantie).
2. Vidangez l'huile pendant que le moteur est encore chaud. Retirez la ou les bougies et versez environ 3 cl (1 oz.) d'huile moteur dans la ou les culasses. Remplacez la ou les bougies et démarrez le moteur lentement pour répartir l'huile.
3. Débranchez le câble de batterie négatif (-).
4. Remisez le moteur dans un endroit propre et sec.

FRF

Recherche de pannes

N'essayez pas de réparer ou remplacer les principaux composants du moteur ou tout élément nécessitant des mesures ou réglages spéciaux. Ce travail doit être réalisé par un revendeur agréé Kohler.

Problème	Cause possible							
	Pas de carburant	Carburant de type incorrect	Saletés dans les canaux d'alimentation en carburant	Grille à débris sale	Niveau d'huile incorrect	Surcharge du moteur	Filtre à air sale	Bougie défectueuse
Démarrage impossible	•	•	•		•	•	•	•
Démarrage difficile		•	•		•	•	•	•
Arrêt soudain	•		•	•	•	•	•	•
Manque de puissance		•	•	•	•	•	•	•
Fonctionnement par à-coups		•	•	•		•	•	•
Tape ou cogne		•		•		•		•
Ratés du moteur		•	•	•			•	•
Retours d'allumage		•	•			•	•	•
Surchauffes		•	•	•	•	•	•	
Consommation élevée de carburant						•	•	•

Spécifications du moteur

Modèle	Alésage	Course	Cylindrée	Capacité d'huile (remplissage)	Écartement de la bougie d'allumage	Angle de fonctionnement maximum (à plein niveau d'huile)*
CH260	70 mm (2.8 in.)	54 mm (2.1 in.)	208 cc (12.7 in.)	0,60 L (0.63 U.S. qt.)	0,76 mm (0.03 in.)	25°
CH270						
CH395	78 mm (3.1 in.)	58 mm (2.3 in.)	277 cc (16.9 in.)	1,1 L (1.16 U.S. qt.)		
CH440	89 mm (3.5 in.)	69 mm (2.7 in.)	429 cc (24.7 in.)			

*Le dépassement de l'angle de fonctionnement maximum peut endommager le moteur en raison d'un manque de lubrification.

Vous trouverez des informations supplémentaires concernant les spécifications dans le manuel d'entretien sur KohlerEngines.com.

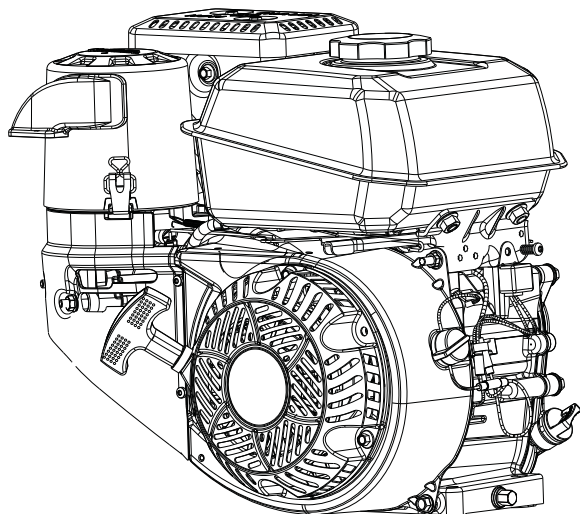
Le système de contrôle des émissions d'échappement pour les modèles CH260, CH270, CH395, CH440 est EM pour U.S. EPA, Californie et Europe.

Toutes les références en chevaux (hp) données par Kohler sont des puissances nominales certifiées et sont conformes aux normes hp SAE J1940 et J1995. Vous trouverez davantage de renseignements sur les puissances nominales certifiées sur KohlerEngines.com.

KOHLER® Command PRO®

CH260, CH270, CH395, CH440

Vlasnički Priručnik



HR

VAŽNO: Pažljivo pročitajte sve sigurnosne mjere opreza i upute prije upotrebe opreme. Pogledajte upute za korištenje stroja koji ovaj motor pogoni.

Pobrinite se da prije održavanja ili servisa zaustavite rad motora i postavite ga u vodoravni položaj.

Obuhvaćenost jamstvom sukladno navodima iz jamstvene kartice i na KohlerEngines.com. Pažljivo pregledajte jer ovdje se nalaze sva vaša specifična prava i obveze.

Zabilježite podatke o motoru da ih možete navesti prilikom naručivanja dijelova ili pri ostvarivanju prava na popravak u okviru jamstva.

Model motora _____

Tehnički podaci _____

Serijski broj _____

Datum kupnje _____


Mjere sigurnosti

▲ UPOZORENJE: Opasnost koja može dovesti do pogibije, ozbiljne ozljede ili jakog oštećenja imovine.

▲ OPREZ: Opasnost koja može dovesti do manje ozljede ili oštećenja imovine.

NAPOMENA: koristi se za obavještanje ljudi o važnim informacijama koje se odnose na montažu, rad ili održavanje.

	<p>▲ UPOZORENJE</p> <p>Eksplzivno gorivo može izazvati požar i teške opekline.</p> <p>Nemojte dolijevati gorivo u spremnik dok je motor u radu.</p>
	<p>Benzin je krajnje zapaljiv i zapaljenje njegovih para može dovesti do eksplozije. Benzin čuvajte samo u atestiranim spremnicima, u dobro prozračenim prostorijama, praznim zgradama i dalje od izvora iskrenja ili plamena. Proliveno gorivo može se zapaliti ako dođe u kontakt s vrućim dijelovima ili iskrama za paljenje. Nikad ne koristite benzin kao sredstvo za čišćenje.</p>

	<p>▲ UPOZORENJE</p> <p>Ugljični monoksid može izazvati jaku mučninu, nesvijest ili smrt.</p> <p>Izbjegavajte udisanje ispušnih plinova.</p>
	<p>Ispušni plinovi motora sadrže otrovni ugljični monoksid. Ugljični monoksid je plin bez mirisa i boje te može dovesti do smrti ako se udiše.</p>

	<p>▲ UPOZORENJE</p> <p>Nehotično pokretanje motora može dovesti do teške ozljede ili pogibije.</p> <p>Odvojite i uzmite kabel(e) svjeće prije servisiranja.</p>
	<p>Prije izvođenja radova na motoru ili uređaju, na sljedeći način onemogućite pokretanje motora: 1) Odvojite kablove koji vode na svjeće. 2) Odvojite negativni (-) vod od akumulatora.</p>

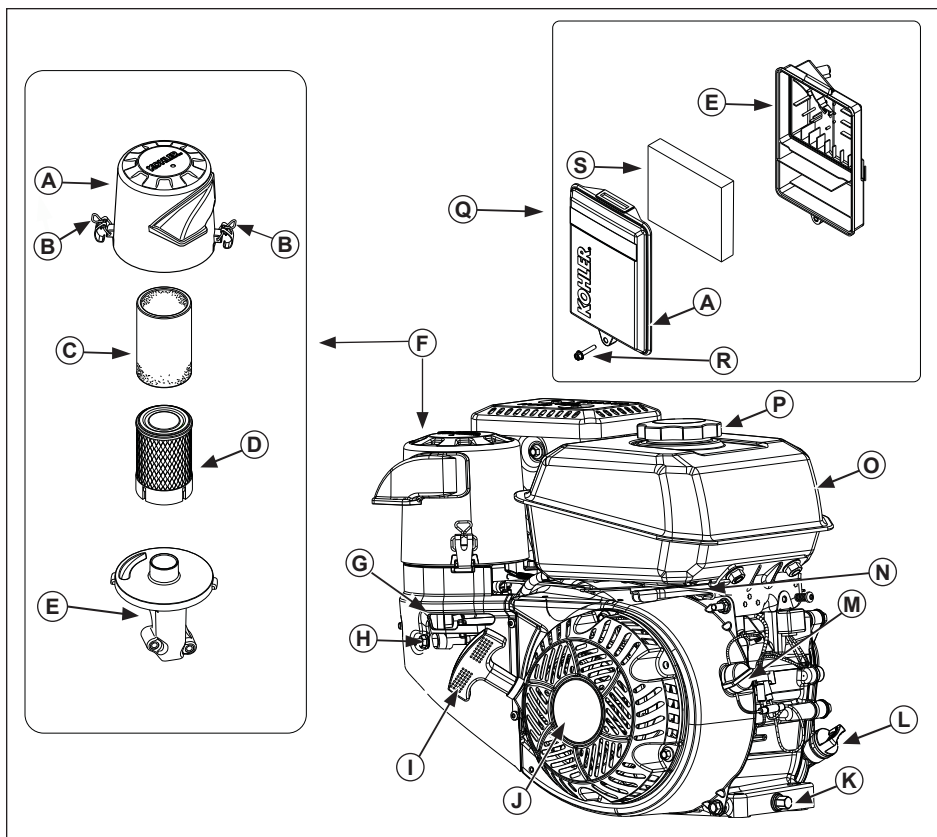
	<p>▲ UPOZORENJE</p> <p>Rotacioni dijelovi mogu izazvati teške ozljede.</p> <p>Držite se dalje od motora koji je u radu.</p>
	<p>Ruke, stopala, kosu i odjeću držite dalje od pogonskih dijelova kako ne bi došlo do ozljede. Motor nikad ne pokrećite ako su njegovi poklopci, štitnici i zaštite skinuti.</p>

	<p>▲ OPREZ</p> <p>Električni udar može izazvati ozljedu.</p> <p>Ne dirajte kablove dok je motor u radu.</p>
--	--

	<p>▲ UPOZORENJE</p> <p>Vrući dijelovi mogu izazvati teške opekline.</p> <p>Ne dirajte motor dok je u radu ili neposredno nakon zaustavljanja rada.</p>
	<p>Motor nikad ne pokrećite ako su njegovi toplinski štitovi i zaštite skinuti.</p>

Prema važećim standardima California propozicija 65

Ispušni plinovi motora sadrže kemikalije poznate državi Kaliforniji kao uzročnici raka, defekata kod rođenja ili drugih reproduktivnih oštećenja.




HR


A	Poklopac filtra za zrak	B	Ručica	C	Predfiltrar	D	Papirnati element
E	Baza filtra za zrak	F	Quad-Clean [™] filter za zrak	G	Ručica čoka	H	Zatvaranje dovoda goriva
I	Ručka pokretača	J	Pokretač s uvlačenjem	K	Čep za ispuštanje ulja	L	Mjerna šipka / Čep otvora za ulijevanje ulja
M	Sklopka za uključivanje / isključivanje (ako je ugrađena)	N	Ručica gasa	O	Spremnik za gorivo	P	Čep otvora za gorivo
Q	Niskoprolfilni filter za zrak	R	Vijak	S	Pjenasti element		

Kontrolni popis prije pokretanja

1. Provjerite razinu ulja. Dolijte ulje prema potrebi. Nemojte prepunjavati.
2. Provjerite razinu goriva. Dolijte ulje ako je niska razina. Provjerite da na dijelovima i vodovima sustava za gorivo nema curenja.
3. Pregledajte i očistite površine za hlađenje, područja za usis zraka i vanjske površine motora (osobito nakon skladištenja).
4. Provjerite da li su dijelovi zračnog filtra i svi štitnici, poklopci uređaja i zaštite na svom mjestu i čvrsto stegnuti.
5. Provjerite hvatač iskre (ako je ugrađen).

Pokretanje motora

	⚠ UPOZORENJE
	Ugljični monoksid može izazvati jaku mučninu, nesvijest ili smrt. Izbjegavajte udisanje ispušnih plinova.
Ispušni plinovi motora sadrže otrovni ugljični monoksid. Ugljični monoksid je plin bez mirisa i boje te može dovesti do smrti ako se udiše.	

	⚠ UPOZORENJE
	Rotacioni dijelovi mogu izazvati teške ozljede. Držite se dalje od motora koji je u radu.
Ruke, stopala, kosu i odjeću držite dalje od pogonskih dijelova kako ne bi došlo do ozljede. Motor nikad ne pokrećite ako su njegovi poklopci, štitičnici i zaštitne skinuti.	

NAPOMENA: Položaj čoka može se razlikovati u ovisnosti o temperaturi i drugim faktorima. Kad se motor pokrene i zagrije, čok okrenite u položaj OFF.

NAPOMENA: Povremeno izvucite užu pokretača i provjerite u kakvom je stanju. Ako je užu ispucalo, odmah ga zamijenite kod ovlaštenoga predstavnika tvrtke Kohler.

NAPOMENA: Nemojte okretati motor neprekidno duže od 10 sekundi. Ostavite da se 60 sekundi hladi između dva uzastopna pokušaja pokretanja. Ako se ne budete pridržavali ove upute, motor pokretača mogao bi pregorjeti.

NAPOMENA: Ako motor razvije dovoljno veliku brzinu za deaktiviranje pokretača, ali ne ostaje u radu (neuspjao pokušaj pokretanja), potrebno je pustiti da se vrtnja motora zaustavi prije novog pokušaja pokretanja motora. Ako je pokretač u zahvatu za vrijeme vrtnje zamašnjaka, moglo bi doći do sudara zamašnjaka i pogonskog zupčanika na pokretaču, što može izazvati oštećenja pokretača.

1. Okrenite ventil za dovod goriva u položaj ON (ako je ugrađen).
2. Okrenite sklopku za uključivanje/isključivanje motora u položaj ON (ako je ugrađena).
3. Motor pokrećite na sljedeći način:

Hladni motor: Regulator gasa postavite u srednji položaj između SLOW i FAST. Regulator čoka postavite u položaj ON.

Zagrijani motor: Regulator gasa postavite u srednji položaj između SLOW i FAST. Vratite čok u položaj OFF čim se motor pokrene. Na toplom motoru obično ne treba aktivirati regulator čoka.

4. Pokretanje s uvlačenjem: Polako vucite ručicu pokretača sve dok ne prođe stupanj kompresije – STANITE! Vratite ručicu pokretača; snažnog ga izvucite ravno prema van kako biste izbjegli prekomjerno trošenje užeta trenjem o vodilicu užeta.

Električno pokretanje: Aktivirajte sklopku pokretača. Otpustite sklopku čim se motor pokrene. Ako pokretač ne pokrene motor, odmah ga isključite. Nemojte pokušavati daljnja pokretanja dok ne ispravite ovo stanje. Nemojte ga pokretati iz vanjskog izvora. Posjetite ovlaštenog predstavnika za Kohlerove motore radi analize problema.

5. Postupno vraćajte regulator čoka u položaj OFF (isključeno) kad se motor pokrene i zagrije. Motor / oprema mogu se koristiti za vrijeme zagrijavanja, ali možda će biti potrebno čok ostaviti djelomično uključenim dok se motor ne zagrije.

Savjeti pri pokretanju motora za hladnog vremena

1. Koristite propisano ulje za očekivanu temperaturu.
2. Odvojite sva moguća vanjska opterećenja.
3. Koristite svježe gorivo za zimske uvjete rada. Gorivo za zimske uvjete rada ima povišeni stupanj hlapiivosti.

Zaustavljanje motora

1. Po mogućnosti odvojite opterećenje deaktiviranjem svih PTO pogonjenih priključaka.
2. Ako je ugrađen, regulator gasa prebacite u spori položaj ili u prazni hod; zaustavite rad motora.
3. Zatvorite ventil za dovod goriva, ako je ugrađen.

Kut nagiba u radu

Pogledajte upute za korištenje stroja koji ovaj motor pogoni. Nemojte u radu ovog motora prekoračiti maksimalni radni kut; pogledajte tablicu s tehničkim podacima. Nedovoljno podmazivanje može dovesti do oštećenja motora.

Radni broj okretaja motora

NAPOMENA: Nemojte neovlašteno dirati u regulator brzine radi povećanja brzine vrtnje motora. Prekomjerna brzina vrtnje je opasna i dovest će do gubitka prava na jamstvo.

Rad na visokoj nadmorskoj visini

Za ovaj motor bit će potreban komplet rasplinjača za rad na velikoj nadmorskoj visini kako biste osigurali ispravan rad motora na nadmorskim visinama iznad 4000 stopa. (1219 metara). Ako trebate podatke o kompletu za rada na velikoj nadmorskoj visini ili ako želite naći ovlaštenog predstavnika Kohler, posjetite KohlerEngines.com ili zovite 1-800-544-2444 (SAD i Kanada).

Ovaj motor mora se koristiti u svojoj originalnoj konfiguraciji ispod 4000 stopa (1219 metara) jer može doći do oštećenja motora ako se pri radu na nadmorskim visinama ispod 4000 stopa (1219 metara) montira komplet za velike nadmorske visine.

Zaleđivanje rasplinjača


NAPOMENA: Rad motora s poklopcem u položaju za hladno vrijeme u normalnim radnim uvjetima rada može oštetiti motor.

Do zaleđivanja rasplinjača dolazi pri određenim kombinacijama temperature i vlažnosti. Posljedica zaleđivanja rasplinjača je nemiran rad u praznom hodu ili na niskoj brzini kao i crni ili bijeli dim na ispuhu.

Kako biste smanjili vjerojatnost zaleđivanja rasplinjača, poklopac filtra za zrak mora se okrenuti tako da se usisava zrak s toplije strane kod prigušivača. Pri radu motora u hladnim uvjetima, poklopac za zračni filter postavite tako da je snježna pahuljica okrenuta prema van.

Pri radu motora u normalnim uvjetima, poklopac za zračni filter postavite tako da je naljepnica sa suncem okrenuta prema van.

Upute o održavanju

	⚠ UPOZORENJE	Prije izvođenja radova na motoru ili uređaju, na sljedeći način onemogućite pokretanje motora: 1) Odvojite kablove koji vode na svječiće. 2) Odvojite negativni (-) vod od akumulatora.
	Nehotično pokretanje motora može dovesti do teške ozljede ili pogibije. Odvojite i uzemljite kabel(e) svječiće prije servisiranja.	

Normalno održavanje, zamjena ili popravak elemenata sustava za kontrolu emisije može se obaviti u bilo kojoj radionici i kod bilo kojeg servisera; međutim jamstveni popravci moraju se izvršiti u Kohlerovom ovlaštenom centru koji možete naći na KohlerEngines.com ili na telefonu 1-800-544-2444 (SAD i Kanada).

Održavanje motora

Nakon prvih 5 sati rada

- Zamijenite ulje.

Svakih 50 sati ili jednom godišnje

- Očistite ili zamijenite Quad-Clean™ predfilter.

Svakih 100 sati ili jednom godišnje¹

- Očistite niskoprolni uložak filtra za zrak.
- Zamijenite ulje.
- Očistite područja za hlađenje.
- Zamijenite svječiću i podesite zazor.

Svakih 200 sati²

- Provjerite i podesite zazor ventila dok je motor hladan.

Svakih 200 sati

- Zamijenite Quad-Clean™ uložak filtra za zrak.

Svakih 300 sati

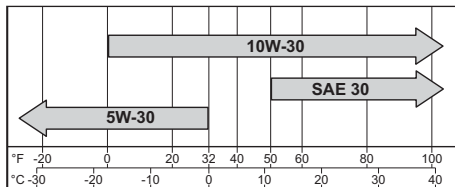
- Zamijenite niskoprolni uložak filtra za zrak.
- Provjerite filtre za gorivo (izlazni filter spremnika i linijski filter) te ih po potrebi očistite ili zamijenite (ako su montirani).

¹ Ove postupke održavanja provodite i češće ako motor radi u teškim, prašnjavim i prljavim uvjetima.

² Ovaj servis povjerite ovlaštenom predstavniku tvrtke Kohler.

Preporuke u vezi s uljem

Preporučujemo da za najbolji rad koristiti Kohlerova ulja. Prihvatljiva su i druga visoko-kvalitetna deterdžentska ulja (i sintetička) API (Američki institut za naftu) servisne klase SJ ili bolje. Izaberite viskozitet na temelju temperature zraka u vrijeme rada iz dolje prikazane tablice.



Provjerite razinu ulja

NAPOMENA: Kako biste spriječili prekomjerno trošenje motora ili oštećenje, motor nikad nemojte koristiti ako je razina ulja ispod ili iznad indikatora radnog opsega na mjernoj šipki.

Pobrinite se da ulje bude hladno. Iz područja za ulijevanje ulja / mjerne šipke očistite sve nečistoće.

1. Izvadite mjernu šipku i obrišite ulje s nje.
2. Vratite mjernu šipku u cijev, oslonite je na vrat za ulijevanje ulja i okrećite u smjeru suprotnom od kazaljke sata sve dok se čep ne spusti u najnižu točku navoja; nemojte navrtiti čep na cijev.
 - a. Izvadite mjerac i provjerite razinu ulja. Razina mora biti pri vrhu indikatora na mjernoj šipki.
 - ili
 - b. Skinite čep s otvora za ulijevanje. Razina mora biti do točke prelijevanja vrata uljevnika.
3. Ako je razina niska, dolijte ulje do točke prelijevanja vrata uljevnika.
4. Vratite mjernu šipku ili čep na otvor za ulijevanje i čvrsto ga stegnite.

Zamjena ulja

Ulje mijenjajte dok je motor topao.


1. Očistite područje oko čepa za ulijevanje / mjerne šipke i čepa za ispuštanje.
2. Skinite čep za ispuštanje i čep otvora za ulijevanje / mjernu šipku. Ispustite sve ulje iz motora.
3. Vratite čep za ispuštanje ulja na svoje mjesto. Stegnite momentom od 13 ft. lb. (17,6 Nm).

4. Napunite karter novim uljem do točke prelijevanja na vratu za ulijevanje.
5. Vratite čep na otvor za ulijevanje ulja / mjernu šipku i čvrsto ga stegnite.
6. Iskorištene ulje zbrinite sukladno lokalnim odredbama.

Oil Sentry™ (ako je ugrađen)

Ova sklopka predviđena je za sprječavanje pokretanja motora u slučaju da u motoru ima malo ulja ili ga uopće nema. Oil Sentry™ ne može izvršiti gašenje motora koji je u radu prije nastanka oštećenja. U nekim će aplikacijama ova sklopka aktivirati signal upozorenja. Više pojedinosti potražite u priručnicima opreme.

Preporuke u svezi s korištenjem goriva



	UPOZORENJE Eksplozivno gorivo može izazvati požar i teške opekline. Nemojte dolijevati gorivo u spremnik dok je motor u radu.
Benzin je krajnje zapaljiv i zapaljenje njegovih para može dovesti do eksplozije. Benzin čuvajte samo u atestiranim spremnicima, u dobro prozračenim prostorijama, praznim zgradama i dalje od izvora iskrenja ili plamena. Proliveno gorivo može se zapaliti ako dođe u kontakt s vrućim dijelovima ili iskrama za paljenje. Nikad ne koristite benzin kao sredstvo za čišćenje.	

NAPOMENA: E15, E20 i E85 NISU dozvoljeni i NE SMIJU se koristiti; učinci zbog staroga, ustajaloga ili zagađenog goriva neće biti obuhvaćeni jamstvom.

Gorivo mora zadovoljavati ove zahtjeve:

- Čist, svjež bezolovni benzin.
- Oktanski broj 87 (R+M)/2 ili veći.
- Research Octane Number (RON) 90 oktana minimalno.
- Benzin s najviše 10% etilnog alkohola i 90% bezolovnog benzina je prihvatljiv.
- Methyl Tertiary Butyl Ether (MTBE - Metilni tercijarni butilni eter) pomiješan s bezolovnim gorivom (najviše 15% volumenskog udjela MTBE) je dozvoljen.
- Nemojte dodavati ulje u benzin.
- Nemojte prelići spremnik goriva.
- Ne koristite benzin stariji od 30 dana.

Dolijevanje goriva

	UPOZORENJE
	Eksplozivno gorivo može izazvati požar i teške opekline. Nemojte dolijevati gorivo u spremnik dok je motor u radu.
Benzin je krajnje zapaljiv i zapaljenje njegovih para može dovesti do eksplozije. Benzin čuvajte samo u atestiranim spremnicima, u dobro prozračenim prostorijama, praznim zgradama i dalje od izvora iskrenja ili plamena. Proliveno gorivo može se zapaliti ako dođe u kontakt s vrućim dijelovima ili iskrama za paljenje. Nikad ne koristite benzin kao sredstvo za čišćenje.	

Pobrinite se da ulje bude hladno.

1. Očistite područje oko čepa za gorivo.
2. Skinite čep za gorivo. Napunite gorivo do baze vrata uljevnika. Nemojte prelići spremnik goriva. Ostavite nešto mjesta za širenje goriva u spremniku.
3. Vratite čep na otvor za ulijevanje goriva i čvrsto ga stegnite.

Vod za gorivo

Moraju se montirati vodovi za gorivo s niskom permeacijom na motorima s rasplinjačem tvrtke Kohler Co. kako bi se održala EPA i CARB regulativna sukladnost.



Ventil za gorivo

Motori su opremljeni ventilom za dovod goriva i ugrađenim sitom koji se nalazi na ulaznom dijelu rasplinjača. Njime se upravlja i filtrira protokom goriva od spremnika do rasplinjača. Očistite čašicu filtra od nečistoća.

1. Skinite dvije matice, dva vijka i ploču poklopcu rasplinjača.
2. Okrenite ventil za dovod goriva u položaj OFF (isključeno).
3. Skinite čašicu filtra za dovod goriva. Skinite o-prsten i sito filtra.
4. Očistite sito i ventil za gorivo nekim otapalom i obrišite ga.
5. Provjerite sito i o-prstenastu brtvu i zamijenite je ako je oštećena.
6. Vratite o-prsten a nakon toga čašicu ventila za gorivo. Okrećite čašicu ventila za gorivo tako da ga stegnete rukom. Okrenite ga ključem još za 1/2 do 3/4 punog okretanja.
7. Okrenite ventil za dovod goriva u položaj ON (uključeno) i provjerite da ne curi. Ako čašica ventila za gorivo curi, ponovite korake 5 i 6.
8. Čvrsto stegnite čep za gorivo.

9. Vratite ploču za poklopac rasplinjača i pričvrstite je opremom koju ste uklonili u koraku 1.

Svječice

	OPREZ
	Električni udar može izazvati ozljedu. Ne dirajte kablove dok je motor u radu.

Očistite ležište za svječicu. Skinite čep i zamijenite ga.

HR

1. Provjerite njezin zazor pomoću mjernih listića. Prilagodite zazor, pogledajte tablicu radi prilagodbe.
2. Montirajte čep na glavu cilindra.
3. Čep stegnite momentom od 20 ft. lb. (27 Nm).

Filter zraka

NAPOMENA: Rad motora s poklopcem u položaju za hladno vrijeme u normalnim radnim uvjetima rada može oštetiti motor.

NAPOMENA: Korištenje motora s olabavljenim ili oštećenim dijelovima zračnog filtra može dovesti do preuranjenog trošenja i kvara. Zamijenite sve savijene ili oštećene dijelove.

NAPOMENA: Papirni element ne smije se ispuhivati komprimiranim zrakom.

Quad-Clean™

Prebacite ručice na poklopcu filtra prema dolje; skinite zasune ispod jezičaka na bazi; skinite poklopac.

Predfilter:

1. Skinite predfilter za zrak s papirnatom uloška.
2. Zamijenite ili operite predfilter deterdžentom u toploj vodi. Isperite ga i ostavite da se osuši na zraku.
3. Blago nauljite predfilter svježim motornim uljem, iscijedite sav višak ulja.
4. Vratite predfilter za zrak na papirnatu uložak.

Uložak filtra zraka:

1. Odvojite predfilter od elementa; servisirajte predfilter i zamijenite papirnat element.
2. Montirajte novi element na bazu; montirajte predfilter na papirnat element.

Postavite poklopac filtra za zrak u položaj za normalan rad (simbol sunca okrenut je prema van) ili za rad u hladnim uvjetima (snježna pahuljica okrenuta prema van); postavite zasune ispod jezičaka na bazi; dignite ručice i pričvrstite poklopac.


Niski profil

1. Skinite vijak poklopca filtra za zrak.
2. Skinite pjenasti element s baze.
3. Pjenasti filter operite deterđentom u toploj vodi. Isperite ga i ostavite da se osuši na zraku.
4. Blago nauljite pjenasti filter svježim motornim uljem, iscijedite sav višak ulja.
5. Vratite pjenasti element na bazu.
6. Vratite poklopac i pričvrstite ga vijkom.

Cijev odušnika

Provjerite jesu li oba kraja cijevi oduška propisno spojena.

Hlađenje zrakom

	UPOZORENJE
	Vrući dijelovi mogu izazvati teške opekline. Ne dirajte motor dok je u radu ili neposredno nakon zaustavljanja rada.
Motor nikad ne pokrećite ako su njegovi toplinski štitovi i zaštite skinuti.	

Propisno hlađenje je od životne važnosti. Ako želite spriječiti pregrijavanje, očistite sita, rashladna rebra i druge vanjske površine motora. Izbjegavajte prskanje vodom po kablovskom snopu ili po električnim dijelovima. Pogledajte Plan održavanja.

Popravci / servisni dijelovi

Preporučujemo da za sva održavanja, servis i zamjenske dijelove angažirate ovlaštenog predstavnika tvrtke Kohler. Ako želite potražiti ovlaštenog predstavnika tvrtke Kohler, posjetite KohlerEngines.com ili zovite 1-800-544-2444 (SAD i Kanada).

Skladištenje

Ako će motor biti izvan pogona 2 mjeseca ili duže, slijedite donji postupak.

1. Dodajte Kohler PRO Series sredstvo za pripremu goriva ili nadomjesno sredstvo u spremnik s gorivom. Pustite motor da radi 2-3 minute kako bi se stabiliziralo gorivo u sustavu s gorivom (kvarovi koji nastanu zbog nepripremljenog goriva neće biti obuhvaćeni jamstvom).
2. Promijenite ulje u motoru dok motor još zagrijan. Izvadite svječice i u cilindre ulijte oko 30 ml (1 oz) motornog ulja. Vratite svječicu te lagano povucite pokretač motora da bi se ulje raširilo.
3. Odvojite negativni (-) vod od akumulatora.
4. Motor spremite na čistom i suhom mjestu.

Rješavanje problema

Nemojte pokušavati servisirati ili vršiti zamjenu glavnih dijelova motora ili bilo kojeg dijela za koji su potrebna posebna podešavanja. Taj posao mora obaviti u ovlaštenu Kohlerov predstavnik.

Problem	Mogući uzrok							
	Nema goriva	Nepro-pisano gorivo	Neči- stoća u vodu zaotpad je gorivo	Zaslon za zaotpad je prljav	Nepro- pisna razinu ulja	Motor je preopte- rećen	Uložak filtra zraka je prljav	Nei- spravna svjećica
Neće se pokrenuti	•	•	•		•	•	•	•
Teško pokretanje		•	•		•	•	•	•
Iznenadno zaustavljanje	•		•	•	•	•	•	•
Manjak snage		•	•	•	•	•	•	•
Neravnomjeran rad		•	•	•		•	•	•
Kucanje i zvonjava		•		•		•		•
Nema iskre na svjećici		•	•	•			•	•
Povratna vatra		•	•			•	•	•
Pregrijavanje		•	•	•	•	•	•	
Visoka potrošnja goriva						•	•	•

HR

Tehnički podaci motora

Model	Otvor cilindra	Hod klipa	Radni volumen	Kapacitet spremnika ulja (dopuna)	Zazor svjećice	Maksimalni kut rada (@ ulja na maksimumu)*
CH260	2,8 inča (70 mm)	2,1 inča (54 mm)	12,7 inča (208 ccm)	0,63 SAD qt. (0,60 l)	0,03 inča (0,76 mm)	25°
CH270						
CH395	3,1 inča (78 mm)	2,3 inča (58 mm)	16,9 inča (277 ccm)	1,16 SAD qt. (1,1 l)		
CH440	3,5 inča (89 mm)	2,7 inča (69 mm)	24,7 inča (429 ccm)			

*Prekoračenje maksimalnog kuta rada može dovesti do oštećenja motora zbog nedovoljnog podmazivanja.

Više pojedinosti o tome možete naći u servisnom priručniku na KohlerEngines.com.

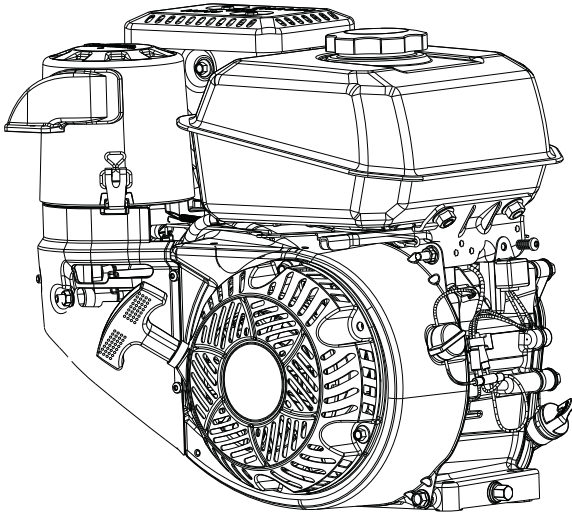
Sustav za kontrolu emisije ispušnog sustava za modele CH260, CH270, CH395, CH440 je EM za SAD EPA, Kaliforniju i Europu.

Bilo koji i svi podaci o snazi (ks) koje daje Kohler certificirani su podaci o snazi u skladnosti sa standardima o snazi SAE J1940 i J1995. Pojedinosti o certificiranim podacima o snazi potražite na KohlerEngines.com.

KOHLER® Command PRO®

CH260, CH270, CH395, CH440

Panduan bagi Pemilik



PENTING: Baca semua tindakan pencegahan dan petunjuk keselamatan dengan benar sebelum mengoperasikan peralatan. Baca petunjuk pengoperasian peralatan yang digerakkan oleh mesin ini.

Pastikan mesin telah mati dan berada di permukaan yang rata sebelum melakukan pemeliharaan atau servis apa pun.

Perlindungan garansi seperti yang tertulis dalam kartu garansi dan di situs web KohlerEngines.com. Pelajari dengan teliti karena di situ tertulis hak-hak dan kewajiban Anda.

Catat informasi mesin sebagai rujukan ketika memesan suku cadang mesin atau mendapatkan perlindungan garansi.

Model Mesin _____

Spesifikasi _____

Nomor Seri _____


Tanggal Pembelian _____


Tindakan Pencegahan Demi Keselamatan




⚠ PERINGATAN: Dapat mengakibatkan kematian, cedera serius, atau kerusakan properti yang parah.


⚠ HATI-HATI: Dapat mengakibatkan cedera ringan atau kerusakan properti.

CATATAN: digunakan untuk memberi tahu adanya pemasangan, pengoperasian, atau informasi perawatan penting.

	<p>⚠ PERINGATAN</p> <p>Ledakan Bahan Bakar dapat menyulut api dan menyebabkan kebakaran yang parah.</p> <p>Jangan mengisi tangki bahan bakar ketika mesin masih panas atau sedang dijalankan.</p>
<p>Bensin sangat mudah terbakar dan uapnya dapat meledak jika tersulut api. Simpan bensin hanya di wadah yang disetujui, dalam bangunan yang tidak dihuni dan bagus ventilasinya, jauh dari percikan api ataupun nyala api. Tumpahan bahan bakar dapat terbakar jika terkena bagian yang panas ataupun percikan api dari pembakaran. Jangan gunakan bensin sebagai bahan pembersih.</p>	

	<p>⚠ PERINGATAN</p> <p>Karbon Monoksida dapat menyebabkan mual berat, pingsan hingga kematian.</p> <p>Hindari menghisap buangan asap.</p>
<p>Gas buangan mesin mengandung karbon monoksida yang beracun. Karbon monoksida tidak berbau dan tidak berwarna serta dapat menyebabkan kematian jika terhirup.</p>	

  	<p>⚠ PERINGATAN</p> <p>Start yang Tidak Disengaja dapat menyebabkan cedera parah hingga kematian.</p> <p>Lepaskan dan pasang arde ke kepala busi sebelum menyervis.</p>
<p>Sebelum mulai menyervis mesin, matikan mesin dengan cara sebagai berikut: 1) Lepaskan kepala busi. 2) Lepaskan kabel baterai negatif (-) dari baterainya.</p>	

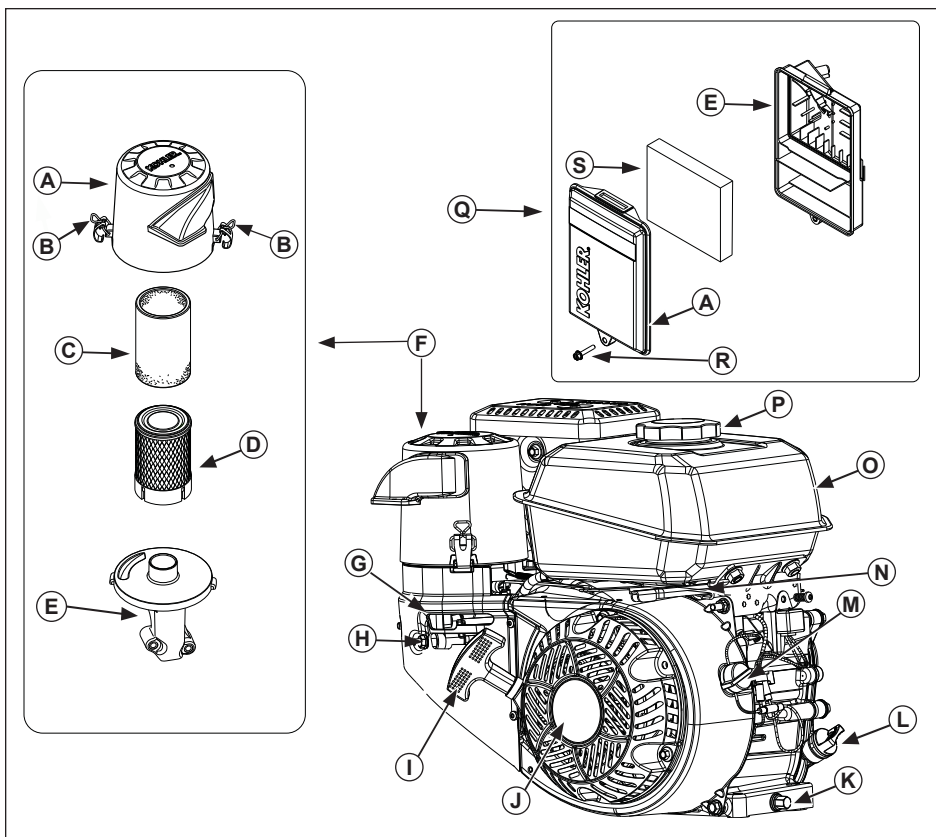
	<p>⚠ PERINGATAN</p> <p>Bagian yang Berputar dapat menyebabkan cedera parah.</p> <p>Jauhi mesin yang sedang bekerja.</p>
<p>Jauhkan tangan, kaki, rambut, dan pakaian dari bagian yang bergerak untuk mencegah cedera. Jangan pernah menjalankan mesin tanpa ada penutup, selubung, atau pelindung yang terpasang.</p>	

	<p>⚠ HATI-HATI</p> <p>Kejutan Listrik dapat menyebabkan cedera.</p> <p>Jangan sentuh kabel ketika mesin sedang bekerja.</p>
---	--

	<p>⚠ PERINGATAN</p> <p>Bagian yang Panas dapat menyebabkan cedera parah.</p> <p>Jangan menyentuh mesin yang sedang bekerja atau baru saja berhenti.</p>
<p>Jangan pernah menjalankan mesin tanpa ada penahan panas atau pelindung yang terpasang.</p>	

Peringatan California Proposition 65

Gas buang mesin dari produk ini mengandung bahan kimia yang menurut peraturan Negara Bagian California dapat menyebabkan kanker, cacat lahir atau bahaya bagi kesehatan reproduksi lainnya.







A	Tutup Pembersih Udara	B	Handel	C	Pra-pembersih	D	Elemen Kertas
E	Alas Pembersih Udara	F	Quad-Clean™ Pembersih Udara	G	Tuas Cuk	H	Penghenti Aliran Bahan Bakar
I	Handel Starter	J	Starter Tarik	K	Sumbat Pembuangan Oli	L	Tongkat Ukur/ Sumbat Pengisian Oli
M	Switch On/Off (jika tersedia)	N	Tuas Throttle	O	Tangki Bahan Bakar	P	Tutup Bahan Bakar
Q	Pembersih Udara Profil Rendah	R	Sekrup	S	Elemen Busa		

Daftar Periksa Sebelum Start

1. Periksa ketinggian oli. Tambahkan oli jika tinggal sedikit. Jangan sampai tumpah.
2. Periksa ketinggian bahan bakar. Tambahkan bahan bakar jika tinggal sedikit. Periksa komponen sistem bahan bakar dan perapatnya untuk melihat kebocoran.
3. Periksa dan bersihkan daerah pendinginan, daerah udara masuk, dan permukaan luar mesin (khususnya setelah penyimpanan).
4. Periksa apakah komponen pembersih udara dan semua selubung, penutup peralatan, dan pelindung telah berada di tempatnya dan terpasang dengan aman.
5. Periksa sekering busi (jika tersedia).

Start

	 PERINGATAN
	<p>Karbon Monoksida dapat menyebabkan mual berat, pingsan hingga kematian.</p> <p>Hindari menghisap buangan asap.</p>
<p>Gas buangan mesin mengandung karbon monoksida yang beracun. Karbon monoksida tidak berbau dan tidak berwarna serta dapat menyebabkan kematian jika terhirup.</p>	

	 PERINGATAN
	<p>Bagian yang Berputar dapat menyebabkan cedera parah.</p> <p>Jauhi mesin yang sedang bekerja.</p>
<p>Jauhkan tangan, kaki, rambut, dan pakaian dari bagian yang bergerak untuk mencegah cedera. Jangan pernah menjalankan mesin tanpa ada penutup, selubung, atau pelindung yang terpasang.</p>	

CATATAN: Posisi cuk untuk start dapat berbeda-beda, bergantung pada suhu dan faktor lainnya, begitu mesin bekerja dan mulai panas, matikan cuk ke posisi OFF.

CATATAN: Rentangkan kabel starter secara bertahap untuk memeriksa kondisinya. Apabila kabel berjumbai, cari penggantinya di dealer resmi Kohler.

CATATAN: Jangan mengengkol mesin secara terus-menerus selama lebih dari 10 detik. Biarkan mendingin selama 60 detik sebelum mencoba menyalakan lagi. Apabila petunjuk ini tidak dipatuhi, starter motor dapat terbakar.

CATATAN: Jika kecepatan mesin hanya cukup untuk melepas starter namun tidak cukup untuk membuatnya tetap bekerja (start palsu), putaran mesin harus berhenti sepenuhnya sebelum mencoba menjalankan mesin kembali. Jika starter digunakan sementara roda gila sedang berputar, maka roda gigi starter dan gigi cincin roda gila dapat beradu dan menyebabkan kerusakan pada starter.

1. Putar katup penghenti aliran bahan bakar ke posisi ON (jika tersedia)
2. Putar switch on/off ke posisi ON (jika tersedia)
3. Jalankan mesin sebagai berikut:

Mesin dingin: Tempatkan kontrol throttle di tengah-tengah antara posisi LAMBAT

(SLOW) dan CEPAT (FAST). Posisikan kontrol cuk ke ON.

Mesin hangat: Tempatkan kontrol throttle di tengah-tengah antara posisi LAMBAT (SLOW) dan CEPAT (FAST). Kembalikan cuk ke posisi OFF sesegera mungkin setelah mesin menyala. Mesin yang panas biasanya tidak memerlukan cuk pada posisi ON.

4. Starter Tarik: Tarik handel starter perlahan hingga tepat melewati kompresi - STOP! Kembalikan handel starter; tarik lurus dengan kuat untuk menghindari keausan tali yang berlebihan mulai dari pemandu tali starter.

Start Elektrik: Aktifkan switch starter. Lepaskan switch segera setelah mesin menyala. Jika starter tidak memutar mesin, matikan segera starter-nya. Jangan mencoba untuk menyalakan mesin lagi hingga kondisinya sudah dikoreksi. Jangan melakukan jump-start. Hubungi dealer resmi Kohler untuk menganalisis masalah.

5. Perlahan-lahan kembalikan kontrol cuk ke posisi OFF setelah mesin menyala dan mulai memanaskan. Mesin/peralatan boleh dijalankan selama periode pemanasan, tapi mungkin perlu untuk membiarkan cuk ke posisi tengah hingga mesin mulai memanaskan.

Petunjuk Start Cuaca Dingin

1. Gunakan oli yang sesuai untuk suhu yang diinginkan.
2. Bongkar semua muatan eksternal.
3. Gunakan bahan bakar musim dingin yang baru. Bahan bakar musim dingin memiliki volatilitas yang lebih tinggi untuk memperbaiki start.

Berhenti

1. Jika mungkin, bongkar muatan dengan melepaskan semua alat pelengkap yang digerakkan oleh PTO.
2. Jika tersedia, pindahkan kontrol throttle ke posisi lambat atau idle, kemudian hentikan mesin.
3. Jika tersedia, tutup katup penghenti aliran bahan bakar.

Sudut Pengoperasian

Baca petunjuk pengoperasian peralatan yang digerakkan oleh mesin ini. Jangan menjalankan mesin ini melampaui sudut maksimum pengoperasian; baca tabel spesifikasi. Mesin yang rusak dapat diakibatkan oleh lubrikasi yang kurang memadai.

Kecepatan Mesin

CATATAN: Jangan mengubah pengaturan regulator untuk meningkatkan kecepatan maksimum mesin. Kecepatan berlebih dapat membahayakan dan garansi dapat tidak berlaku karenanya.

Pengoperasian di Ketinggian

Mesin ini mungkin membutuhkan kit karburator untuk digunakan di ketinggian untuk memastikan pengoperasian mesin yang benar di atas ketinggian (1219 meter) (4000 kaki). Untuk mendapatkan informasi tentang kit untuk ketinggian atau untuk menemukan dealer resmi Kohler, kunjungi situs web KohlerEngines.com atau hubungi 1-800-544-2444 (AS dan Kanada).

Mesin ini harus dijalankan dalam konfigurasi aslinya di bawah 1219 meter (4000 kaki) karena dapat rusak apabila kit karburator untuk digunakan di ketinggian dipasang dan dijalankan di bawah 4000 kaki (1219 meter).

Karburator Tertutup Es


CATATAN: Menjalankan mesin dengan penutup yang diposisikan untuk pengoperasian cuaca dingin pada kondisi normal dapat merusak mesin.

Karburator dapat tertutup es pada kombinasi suhu dan kelembaban tertentu. Akibat dari karburator yang tertutup es adalah mesin yang susah mencapai kecepatan idle atau rendah serta asap hitam atau putih.

Untuk mengurangi kemungkinan karburator tertutup es, tutup pembersih udara dapat diputar untuk menarik udara hangat dari sisi knalpot. Untuk pengoperasian cuaca dingin, posisikan tutup pembersih udara dengan pelat bergambar kepingan salju menghadap keluar.

Untuk pengoperasian normal, posisikan tutup pembersih udara dengan pelat bergambar matahari menghadap keluar.

Petunjuk Pemeliharaan

	⚠ PERINGATAN	Sebelum mulai menyervis mesin, matikan mesin dengan cara sebagai berikut ini: 1) Lepaskan kepala busi. 2) Lepaskan kabel baterai negatif (-) dari baterainya.
	Start yang Tidak Disengaja dapat menyebabkan cedera parah hingga kematian. Lepaskan dan pasang arde ke kepala busi sebelum menyervis.	

Pemeliharaan, penggantian atau perbaikan normal dari alat dan sistem kontrol emisi dapat dilakukan di bengkel mana pun atau siapa pun; namun demikian perbaikan bergaransi harus dilakukan oleh dealer resmi Kohler yang dapat ditemukan di KohlerEngines.com atau 1-800-544-2444 (AS dan Kanada).

Jadwal Pemeliharaan

Setelah 5 Jam pertama

- Ganti oli.

Setiap 50 Jam atau Setiap Tahun

- Servis/ganti pra-pembersih™ Quad-Clean.

Setiap 100 Jam atau Setiap Tahun¹

- Bersihkan elemen pembersih udara profil-rendah
- Ganti oli.
- Bersihkan area pendinginan.
- Ganti busi dan setel celahnya.

Setiap 200 Jam²

- Periksa dan setel jarak celah katup ketika mesin dingin.

Setiap 200 Jam

- Ganti elemen pembersih udara™ Quad-Clean.

Setiap 300 Jam

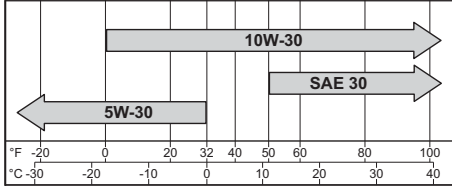
- Ganti elemen pembersih udara profil-rendah.
- Periksa penyaring bahan bakar (penyaring saluran keluar tangki dan penyaring saluran masuk tangki) serta bersihkan atau ganti jika perlu (jika tersedia).

¹ Lakukan prosedur ini lebih sering pada kondisi yang parah, berdebu dan kotor.

² Mintalah dealer resmi Kohler untuk melakukan servis ini.

Rekomendasi Oli

Kami sarankan Anda menggunakan oli Kohler untuk performa terbaik. Oli deterjen berkualitas tinggi lainnya (termasuk yang sintetis) dari servis API (American Petroleum Institute) kelas SJ atau lebih tinggi dapat digunakan. Pilihlah viskositas berdasarkan suhu udara pada saat pengoperasian seperti yang ditunjukkan di tabel bawah ini.



Periksa Ketinggian Oli

CATATAN: Untuk mencegah keausan mesin atau kerusakan yang meluas, jangan menyalakan mesin dengan tingkat ketinggian oli di bawah atau di atas indikator kisaran operasional pada tongkat ukur.

Pastikan mesinnya dingin. Bersihkan daerah pengisian oli/tongkat ukur dari segala kotoran.

1. Keluarkan tongkat ukur; usap olinya.
2. Masukkan kembali tongkat ukur; berhenti pada leher pengisian oli; putar berlawanan arah jarum jam hingga tutupnya jatuh ke titik terendah dari kepala puntiran; jangan memuntir tutup ke tabung.
 - a. Keluarkan tongkat ukur; periksa tanda ketinggian olinya. Ketinggian harus di atas indikator pada tongkat ukur.
atau
 - b. Lepaskan katup pengisian oli. Ketinggiannya harus berada di atas titik luapan leher pengisi.
3. Jika olinya rendah, tambahkan oli hingga ke titik luapan leher pengisi.
4. Pasang kembali tongkat ukur atau sumbat pengisian oli dan kencangkan dengan kuat.

Ganti Oli

Ganti olinya saat mesin dalam keadaan panas.

1. Bersihkan area di sekitar tutup pengisian oli/tongkat ukur dan sumbat pembuangan.
2. Lepaskan sumbat pembuangan dan tutup pengisian oli/tongkat ukur. Buang oli sepenuhnya.
3. Pasang kembali sumbat pembuangan. Terapkan torsi ke 13 kaki pon (17,6 N·m).
4. Isi bak mesin dengan oli baru hingga ke titik luapan leher pengisi.

5. Pasang kembali sumbat pengisian oli/tongkat ukur dan kencangkan dengan kuat.
6. Buang oli bekas sesuai dengan peraturan setempat.

Oil Sentry™ (jika tersedia)

Switch ini dirancang untuk mencegah agar mesin tidak menyala dalam kondisi sedikit oli atau tidak ada oli. Oil Sentry™ mungkin tidak mematikan mesin yang sedang berjalan sebelum terjadi kerusakan. Pada beberapa aplikasi, switch ini dapat mengaktifkan sinyal peringatan. Bacalah panduan peralatan untuk informasi lebih lanjut.

Rekomendasi Bahan Bakar

PERINGATAN



Ledakan Bahan Bakar dapat menyulut api dan menyebabkan kebakaran yang parah.

Jangan mengisi tangki bahan bakar ketika mesin masih panas atau sedang dijalankan.


Bensin sangat mudah terbakar dan uapnya dapat meledak jika tersulut api. Simpan bensin hanya di wadah yang disetujui, dalam bangunan yang tidak dihuni dan bagus ventilasinya, jauh dari percikan api ataupun nyala api. Tumpahan bahan bakar dapat terbakar jika terkena bagian yang panas ataupun percikan api dari pembakaran. Jangan gunakan bensin sebagai bahan pembersih.

CATATAN: E15, E20 dan E85 TIDAK disetujui dan TIDAK boleh digunakan; efek dari bahan bakar yang lama, kedaluwarsa atau terkontaminasi tidak mendapat garansi.

Bahan bakar harus memenuhi persyaratan di bawah ini:

- Bensin bersih, baru dan bebas timbel.
- Kadar oktan sebesar 87 (R+M)/2 atau lebih tinggi.
- Minimum oktan berdasarkan Research Octane Number (RON) adalah 90.
- Bensin hingga 10% etil alkohol, 90% bebas timbel dapat diterima.
- Eter Butil Tersier Metil (MTBE) dan campuran bensin bebas timbel (maks. 15% MTBE menurut volume) disetujui.
- Jangan tambahkan oli ke bensin.
- Jangan mengisi tangki bahan bakar hingga meluap.
- Jangan menggunakan bensin yang usianya lebih lama dari 30 hari.

Tambahkan Bahan Bakar

	PERINGATAN
	<p>Ledakan Bahan Bakar dapat menyulut api dan menyebabkan kebakaran yang parah.</p> <p>Jangan mengisi tangki bahan bakar ketika mesin masih panas atau sedang dijalankan.</p>
<p>Bensin sangat mudah terbakar dan uapnya dapat meledak jika tersulut api. Simpan bensin hanya di wadah yang disetujui, dalam bangunan yang tidak dihuni dan bagus ventilasinya, jauh dari percikan api ataupun nyala api. Tumpahan bahan bakar dapat terbakar jika terkena bagian yang panas ataupun percikan api dari pembakaran. Jangan gunakan bensin sebagai bahan pembersih.</p>	

Pastikan mesinnya dingin.

1. Bersihkan daerah sekitar tutup bahan bakar.
2. Lepaskan tutup bahan bakar. Isi hingga mencapai dasar leher pengisi. Jangan mengisi tangki bahan bakar hingga meluap. Sisakan ruangan agar bahan bakar bisa memuai.
3. Pasang kembali tutup pengisi dengan kencang.

Saluran Bahan Bakar

Saluran bahan bakar permeasi rendah harus dipasang pada mesin karburator Kohler Co. untuk menjaga kepatuhan terhadap peraturan EPA dan CARB.


Katup Bahan Bakar

Mesin dilengkapi dengan katup bahan bakar dan tapis penyaring integral yang dipasang pada saluran karburator. Penyaring ini akan mengontrol dan menyaring aliran bahan bakar dari tangki ke karburator. Bersihkan tutup katup bahan bakar dari kotoran.

1. Lepaskan dua mur, dua sekrup dan panel tutup karburator.
2. Putar tuas katup bahan bakar ke posisi OFF.
3. Lepaskan tutup katup bahan bakar. Lepaskan cincin-O dan tapis penyaring.
4. Bersihkan layar dan tutup katup bahan bakar dengan pelarut dan usap.
5. Periksa tapis dan cincin-O, ganti jika rusak.
6. Pasang kembali cincin-O diikuti dengan tutup katup bahan bakar. Putar tutup katup bahan bakar dan kencangkan dengan jari. Putar dengan kunci inggris sebanyak 1/2 hingga 3/4 putaran penuh.
7. Putar katup bahan bakar ke posisi ON dan periksa jika ada kebocoran. Jika katup bahan bakar bocor, ulangi langkah 5 & 6.

8. Kencangkan rapat-rapat tutup bahan bakar.
9. Pasang kembali panel tutup karburator dengan mengencangkan perangkat yang dilepas pada langkah 1.

Busi

	HATI-HATI
	<p>Kejut Listrik dapat menyebabkan cedera.</p> <p>Jangan sentuh kabel ketika mesin sedang bekerja.</p>

Bersihkan kerak kepala busi. Lepas busi dan ganti.

1. Periksa celah dengan menggunakan alat ukur. Setel celah, baca tabel spesifikasi untuk penyetelan.
2. Pasang busi ke kepala silinder.
3. Terapkan torsi ke 20 kaki pon (27 N-m).

Pembersih Udara

CATATAN: Menjalankan mesin dengan penutup yang diposisikan untuk pengoperasian cuaca dingin pada kondisi normal dapat merusak mesin.

CATATAN: Menjalankan mesin dengan komponen pembersih udara yang kendur atau rusak dapat menyebabkan keausan dan kegagalan dini. Gantilah semua komponen yang bengkok atau rusak.

CATATAN: Elemen kertas tidak boleh disemprot dengan udara kompresi.

Quad-Clean™

Geser ke bawah handel pada tutup pembersih udara; lepaskan gerendel di bawah tabung dasar; lepaskan penutup.

Pra-pembersih:

1. Lepaskan pra-pembersih dari elemen kertas.
2. Lepas atau cuci pra-pembersih dalam air hangat dengan deterjen. Bilas dan keringkan di udara.
3. Tambahkan oli mesin baru ke pra-pembersih tipis saja; peras oli yang berlebihan.
4. Pasang kembali pra-pembersih di elemen kertas.

Elemen Kertas:

1. Pisahkan pra-pembersih dari elemen; servis pra-pembersih dan ganti elemen kertas.
2. Pasang elemen kertas baru di dasarnya; pasang pra-pembersih di elemen kertas.

Posisikan tutup pembersih udara untuk pengoperasian normal (pelat bergambar matahari menghadap keluar) atau pengoperasian musim dingin (pelat bergambar kepingan salju menghadap keluar); tempatkan gerendel di bawah tabung di dasar; angkat handel untuk mengencangkan tutup.

Profil-Rendah

1. Lepaskan sekrup dan tutup pembersih udara.
2. Ambil elemen busa dari dasar.
3. Cuci elemen busa dalam air hangat dengan deterjen. Bilas dan keringkan di udara.
4. Tambahkan oli mesin baru ke elemen busa tipis saja; peras oli yang berlebihan.
5. Pasang kembali elemen busa ke dasar.
6. Pasang kembali tutup dan kencangkan dengan sekrup.

Penyimpanan

Jika mesin harus diservis dalam 2 bulan lagi atau lebih, ikuti prosedur berikut ini.


1. Tambahkan bahan aditif bahan bakar Kohler PRO Series atau sejenisnya ke tangki bahan bakar. Jalankan mesin 2-3 menit untuk menstabilkan bahan bakar ke dalam sistem bahan bakar (kegagalan karena bahan bakar tidak diberi aditif dapat menghapus garansi).
2. Ganti oli ketika mesin masih panas. Lepas kepala busi dan tuangkan oli mesin sekitar 1 oz. ke dalam silinder. Ganti busi dan engkol mesin perlahan untuk mendistribusikan oli.
3. Lepas kabel baterai negatif (-).
4. Simpan mesin di tempat yang bersih dan kering.

ID

Tabung Pelepas Udara

Pastikan kedua ujung tabung tersambung dengan baik.

Pendinginan Udara

	<p>PERINGATAN</p> <p>Bagian yang Panas dapat menyebabkan cedera parah.</p> <p>Jangan menyentuh mesin yang sedang bekerja atau baru saja berhenti.</p>
<p>Jangan pernah menjalankan mesin tanpa ada penahan panas atau pelindung yang terpasang.</p>	

Pendinginan yang benar amatlah penting. Untuk mencegah panas berlebihan, bersihkan tapis, sirip pendingin, dan permukaan eksternal lain pada mesin. Hindari percikan air ke sambungan kabel atau komponen listrik apa pun. Lihat Jadwal Pemeliharaan.

Perbaikan/Servis Suku Cadang

Kami sarankan Anda memanfaatkan jasa dealer resmi Kohler untuk semua pemeliharaan, servis, dan penggantian suku cadang mesin. Untuk menemukan dealer resmi Kohler, kunjungi KohlerEngines.com atau telepon 1-800-544-2444 (AS dan Kanada).

Pemecahan Masalah

Jangan mencoba untuk menservis atau mengganti sendiri komponen utama mesin, atau item apa pun yang membutuhkan pemilihan waktu atau prosedur penyetulan khusus. Pekerjaan ini harus dilakukan oleh dealer resmi Kohler.

Masalah	Kemungkinan Penyebabnya							
	Tidak Ada Bahan Bakar Bakar	Bahan Bakar Tidak Sesuai	Kotoran di Saluran Bahan Bakar	Tapis Kotoran telah Kotor	Ketinggian Oli Tidak Benar	Mesin Kelebihan Beban	Pembersih Udara Kotor	Busi Cacat
Tidak Mau Start	•	•	•		•	•	•	•
Susah Start		•	•		•	•	•	•
Berhenti Tiba-tiba	•		•	•	•	•	•	•
Tidak Ada Daya		•	•	•	•	•	•	•
Berjalan Tidak Stabil		•	•	•		•	•	•
Menggelitik atau Mendesing		•		•		•		•
Meloncat atau Gagal Menyala		•	•	•			•	•
Meletup		•	•			•	•	•
Terlalu Panas		•	•	•	•	•	•	
Konsumsi Bahan Bakar Tinggi						•	•	•

Spesifikasi Mesin

Model	Bor	Gerak	Volume Mesin	Kapasitas Oli (Isi Ulang)	Celah Busi	Sudut Maksimum Pengoperasian (@ tingkat oli penuh)*
CH260	2.8 in. (70 mm)	2.1 in. (54 mm)	12.7 in. (208 cc)	0.63 U.S. qt. (0.60 L)	0.03 in. (0.76 mm)	25°
CH270						
CH395	3.1 in. (78 mm)	2.3 in. (58 mm)	16.9 in. (277 cc)	1,16 U.S. qt. (1,1 L)		
CH440	3.5 in. (89 mm)	2.7 in. (69 mm)	24.7 in. (429 cc)			

*Sudut maksimum yang berlebihan dapat menyebabkan kerusakan mesin dari lubrikasi yang tidak cukup.

Informasi spesifikasi tambahan dapat ditemukan dalam panduan servis di KohlerEngines.com.

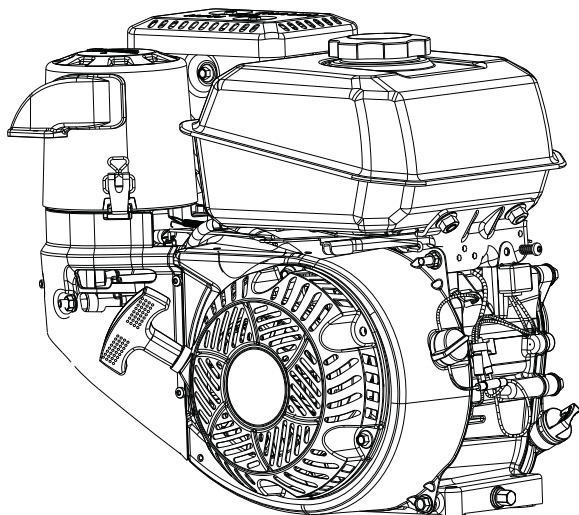
Sistem Kontrol Emisi Gas Buang untuk model CH260, CH270, CH395, CH440 adalah EM untuk EPA AS, California, dan Eropa.

Setiap dan segala referensi tentang daya kuda (hp) oleh Kohler telah mendapat Rating Daya Bersertifikat (Certified Power Ratings) dan memenuhi standar hp SAE J1940 & J1995. Rincian tentang Rating Daya Bersertifikat dapat ditemukan di KohlerEngines.com.

KOHLER® Command PRO®

CH260, CH270, CH395, CH440

Manuale d'uso



IT

IMPORTANTE: Leggere a fondo tutte le precauzioni di sicurezza e le istruzioni prima di mettere in funzionamento il dispositivo. Fare riferimento alle istruzioni d'uso della macchina in cui viene utilizzato il motore.

Assicurarsi che il motore sia arrestato e in posizione orizzontale prima di eseguire manutenzione o riparazioni.

La copertura della garanzia è descritta nella scheda di garanzia e su KohlerEngines.com. Si consiglia di leggerla a fondo per conoscere i propri diritti e obbligazioni.

Registrare le informazioni relative al motore per l'ordinazione delle parti o per ottenere la copertura di garanzia.

Modello motore _____

Specifiche tecniche _____

Numero di serie _____

Data di acquisto _____

Norme di sicurezza

⚠ AVVERTENZA: un pericolo che potrebbe causare decesso, gravi lesioni e gravi danni alle proprietà.

⚠ ATTENZIONE: un pericolo che potrebbe causare lievi lesioni o danni alle proprietà.

NOTA: viene impiegata per attirare l'attenzione degli utenti su informazioni importanti relative all'installazione, al funzionamento oppure alla manutenzione.

	<p>⚠ AVVERTENZA</p> <p>Il combustibile esplosivo può provocare incendi e gravi ustioni.</p> <p>Non fare rifornimento di carburante a motore caldo o acceso.</p>
	<p>La benzina è estremamente infiammabile ed in presenza di scintille i suoi vapori possono provocare esplosioni. Conservare la benzina esclusivamente in contenitori omologati, in fabbricati ventilati e non abitati e lontano da fiamme libere o scintille. Eventuale carburante fuoriuscito potrebbe incendiarsi venendo a contatto con parti calde o scintille di accensione. Non utilizzare mai la benzina come detergente.</p>

	<p>⚠ AVVERTENZA</p> <p>Il monossido di carbonio può provocare nausea, svenimenti o morte.</p> <p>Evitare di respirare i gas di scarico.</p>
	<p>I gas di scarico del motore contengono monossido di carbonio, un composto velenoso. Il monossido di carbonio è inodore, incolore e può avere effetti letali in caso di inalazione.</p>

	<p>⚠ AVVERTENZA</p> <p>L'avviamento accidentale del motore può provocare gravi lesioni personali o la morte.</p> <p>Scollegare e mettere a massa i cavi delle candele prima di qualsiasi intervento di manutenzione.</p>
	<p>Prima di qualsiasi intervento su motore o apparecchiatura, isolare il motore come segue: 1) Scollegare i cavi delle candele. 2) Scollegare il cavo negativo (-) dalla batteria.</p>

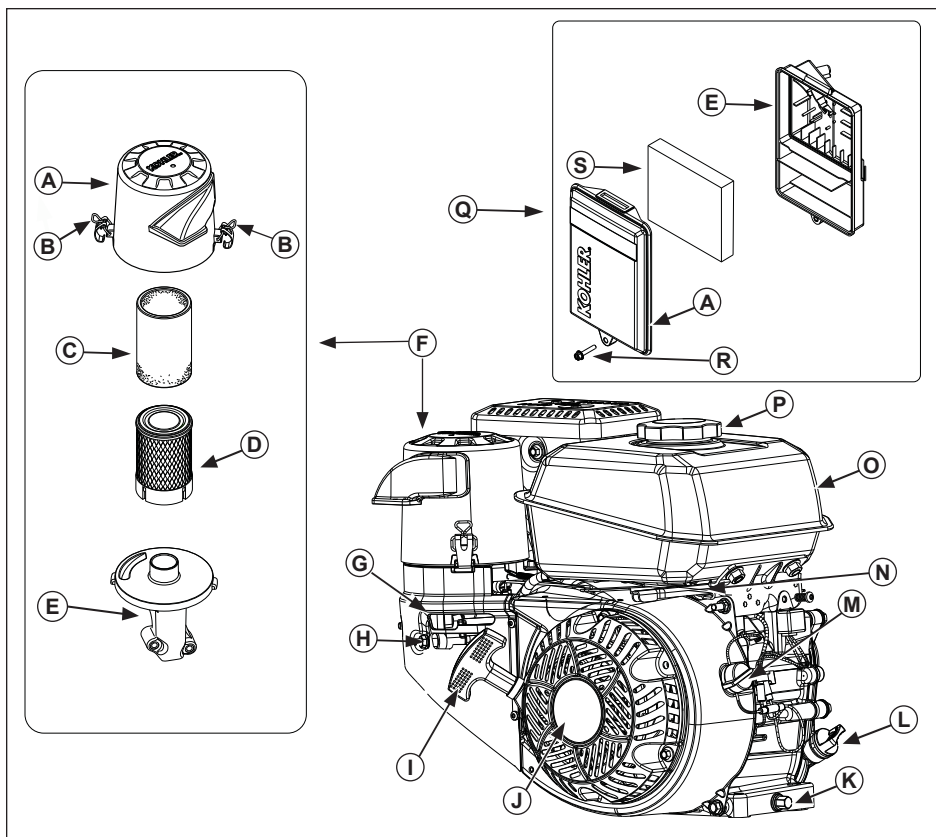
	<p>⚠ AVVERTENZA</p> <p>Le parti rotanti possono provocare gravi lesioni personali.</p> <p>Restare a distanza di sicurezza dal motore in funzione.</p>
	<p>Tenere mani, piedi, capelli ed indumenti a debita distanza da tutte le parti mobili per prevenire lesioni personali. Non azionare mai il motore senza i carter o le coperture di sicurezza previsti.</p>

	<p>⚠ ATTENZIONE</p> <p>Le scosse elettriche possono provocare lesioni personali.</p> <p>Non toccare i cavi elettrici con il motore in funzione.</p>
--	--

	<p>⚠ AVVERTENZA</p> <p>I componenti caldi possono provocare gravi ustioni.</p> <p>Evitare di toccare il motore durante il funzionamento o immediatamente dopo averlo spento.</p>
	<p>Non azionare mai il motore senza le protezioni termiche o le coperture di sicurezza previste.</p>

Avviso California Proposition 65

Lo scarico del motore di questo prodotto contiene sostanze chimiche note allo Stato della California per provocare cancro, malformazioni congenite o altri problemi riproduttivi.



IT

A	Coperchio del filtro dell'aria	B	Staffa	C	Prefiltro	D	Elemento in carta
E	Base del filtro dell'aria	F	Filtro dell'aria™ Quad-Clean	G	Leva dello starter	H	Intercettazione del carburante
I	Impugnatura del sistema di avviamento	J	Motorino di avviamento a strappo	K	Tappo di spurgo dell'olio	L	Astina di livello/ Tappo per il rifornimento olio
M	Eventuale interruttore di accensione/ spegnimento	N	Leva dell'acceleratore	O	Serbatoio del carburante	P	Tappo serbatoio
Q	Filtro dell'aria a basso profilo	R	Vite	S	Elemento in schiuma		

Lista di controllo prima dell'avviamento

1. Controllare il livello dell'olio. In caso di basso livello dell'olio, rabboccare. Non riempire eccessivamente.
2. Controllare il livello del carburante. In caso di basso livello del carburante, rabboccare. Controllare l'assenza di perdite del sistema di alimentazione del carburante.
3. Controllare e pulire le aree di raffreddamento, le aree delle prese d'aria e le superfici esterne del motore, in particolare dopo il magazzinaggio.
4. Assicurarsi che i componenti del filtro dell'aria e tutti i pannelli, i coperchi e le protezioni siano in posizione e fissati saldamente.
5. Controllare il parascintille (se presente).

Avviamento

	⚠ AVVERTENZA
	Il monossido di carbonio può provocare nausea, svenimenti o morte. Evitare di respirare i gas di scarico.

I gas di scarico del motore contengono monossido di carbonio, un composto velenoso. Il monossido di carbonio è inodore, incolore e può avere effetti letali in caso di inalazione.

	⚠ AVVERTENZA
	Le parti rotanti possono provocare gravi lesioni personali. Restare a distanza di sicurezza dal motore in funzione.

Tenere mani, piedi, capelli ed indumenti a debita distanza da tutte le parti mobili per prevenire lesioni personali. Non azionare mai il motore senza i carter o le coperture di sicurezza previsti.

NOTA: La posizione di avviamento dello starter può variare a seconda della temperatura e di altri fattori. Una volta che il motore è in funzione e caldo, ruotare lo starter nella posizione OFF.

NOTA: Allungare periodicamente la fune dell'autoavvolgente per verificarne le condizioni. Se la fune è sfilacciata, farla immediatamente sostituire da un concessionario Kohler.

NOTA: Non avviare a mano continuamente il motore per più di 10 secondi. Prima di ogni successivo tentativo di avviamento lasciare raffreddare il motore per almeno 60 secondi. Il mancato rispetto di queste linee guida può provocare danni al motorino di avviamento.

NOTA: se il motore raggiunge un regime sufficiente per disinserire il motorino di avviamento ma non funziona (falso avviamento), attendere che il motore si sia fermato completamente prima di tentare di riavviarlo. Se il motorino di avviamento è inserito mentre gira il volano, il pignone e la corona dentata del motorino di avviamento possono urtarsi danneggiando il motorino di avviamento.

1. Portare la valvola di intercettazione del carburante in posizione ON, se presente.
2. Portare l'interruttore di avviamento del motore in posizione ON, se presente.
3. Per avviare il motore, attenersi alla seguente procedura:

Motore freddo: posizionare la manetta a

metà tra le posizioni SLOW e FAST. Posizionare il comando dello starter su ON.

Motore caldo: posizionare la manetta a metà tra le posizioni SLOW e FAST. Ripartire lo starter su OFF non appena il motore si avvia. Un motore caldo di solito non richiede l'attivazione dello starter.

4. Avviamento a riavvolgimento: tirare lentamente l'impugnatura del motorino di avviamento appena dopo la funzione di compressione e arrestarsi. Riavvolgere l'impugnatura: tirare nuovamente in direzione perpendicolare per evitare un'eccessiva usura della fune da parte della guida.

Avviamento elettrico: premere l'interruttore dello starter. Rilasciare l'interruttore non appena si avvia il motore. Se il motorino di avviamento non fa girare il motore, spegnerlo immediatamente. Non tentare di avviare il motore finché non è stato riparato il guasto. Non provare ad avviare il motore a mano. Rivolgersi al proprio concessionario Kohler per la riparazione.

5. Ripartire gradualmente il comando dello starter in posizione OFF dopo che il motore si è avviato e riscaldato. Il motore / l'attrezzatura possono essere utilizzati anche durante la fase di riscaldamento, ma può essere necessario lasciare lo starter parzialmente aperto finché il motore non si è riscaldato.

Consigli per l'avviamento a temperature fredde

1. Utilizzare un olio adatto alla temperatura prevista.
2. Disimpegnare eventuali carichi esterni.
3. Utilizzare carburante fresco per l'inverno. Questo tipo di carburante possiede una maggiore volatilità in grado di agevolare l'avviamento.

Arresto

1. Se possibile, rimuovere il carico scollegando tutti gli attacchi delle PDF.
2. Se presente, spostare il controllo della manetta in posizione SLOW o in folle; spegnere il motore.
3. Se presente, chiudere la valvola di intercettazione del carburante.

Angolo di funzionamento

Fare riferimento alle istruzioni d'uso della macchina in cui viene utilizzato il motore. Non far funzionare il motore a un'angolazione superiore alla massima consentita, indicata nella tabella delle specifiche. Il motore potrebbe danneggiarsi a causa di una lubrificazione insufficiente.

Velocità del motore

NOTA: non manomettere l'impostazione del regolatore per aumentare la velocità massima del motore. Il fuorigrigi è pericoloso e annulla la garanzia.

Funzionamento ad altitudine elevata

Potrebbe essere necessario l'uso di un kit carburatore di alta quota per garantire un corretto funzionamento del motore sopra i 1219 metri (4000 ft). Per ottenere il kit di alta quota o per trovare un concessionario Kohler andare su KohlerEngines.com o chiamare il numero 1-800-544-2444 (Stati Uniti e Canada).

Utilizzare il motore in configurazione originale sotto i 1219 metri (4000 ft) di altitudine; il kit carburatore alta quota potrebbe danneggiare il motore se installato a quote inferiori di quella indicata.

Congelamento del carburatore



NOTA: il motore potrebbe danneggiarsi se fatto funzionare in condizioni normali con il coperchio in posizione invernale.

Il carburatore può congelare a seguito di determinate combinazioni di temperatura e umidità. Ne conseguirà un funzionamento irregolare al minimo o a bassa velocità e l'emissione di fumo nero o bianco.

Per ridurre la probabilità di congelamento del carburatore ruotare la copertura del filtro dell'aria per sfruttare l'aria calda proveniente dal lato marmitta. Per il funzionamento a bassa temperatura, posizionare il coperchio del filtro dell'aria con la decalcomania del dendride all'esterno.

Per il funzionamento a temperatura normale, posizionare il coperchio del filtro dell'aria con la decalcomania del sole all'esterno.

Istruzioni per la manutenzione

	 AVVERTENZA	Prima di qualsiasi intervento su motore o apparecchiatura, isolare il motore come segue: 1) Scollegare i cavi delle candele. 2) Scollegare il cavo negativo (-) dalla batteria.
	L'avviamento accidentale del motore può provocare gravi lesioni personali o la morte. Scollegare e mettere a massa i cavi delle candele prima di qualsiasi intervento di manutenzione.	

La regolare manutenzione, sostituzione o riparazione di dispositivi e sistemi di controllo delle emissioni possono essere effettuate presso qualsiasi centro specializzato o anche da un singolo tecnico; tuttavia, le riparazioni coperte da garanzia devono essere eseguite presso un centro di assistenza autorizzato Kohler presente su KohlerEngines.com oppure chiamando il numero 1-800-544-2444 (U.S.A. e Canada).

Programma di manutenzione

Dopo le prime 5 ore

- Cambiare l'olio.

Ogni anno o 50 ore

- Eseguire la manutenzione o sostituire il prefilto Quad-Clean™.

Ogni anno o 100 ore¹

- Pulire l'elemento a basso profilo del filtro dell'aria.
- Cambiare l'olio.
- Pulire le aree di raffreddamento.
- Sostituire la candela e impostare la distanza.

Ogni 200 ore²

- Controllare e regolare il gioco della valvola a motore freddo.

Ogni 200 ore

- Sostituire l'elemento Quad-Clean™ del filtro dell'aria.

Ogni 300 ore

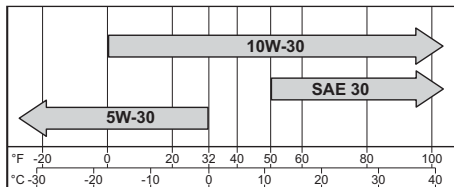
- Pulire l'elemento a basso profilo del filtro dell'aria.
- Controllare i filtri della benzina (filtro uscita carburante e filtro in linea del carburante) e pulire o sostituire (se presente).

¹ Effettuare queste procedure più spesso in caso di ambienti estremamente sporchi o polverosi.

² Fare eseguire tale assistenza a un concessionario Kohler.

Raccomandazioni sull'olio

Per ottenere prestazioni ottimali si consiglia l'uso di olio Kohler. Utilizzare olio detergente di alta qualità (inclusi i sintetici), tipo API (American Petroleum Institute) classe di servizio SJ o superiore. Selezionare la viscosità sulla base della temperatura dell'aria al momento del funzionamento, come da tabella seguente.



Controllo del livello dell'olio

NOTA: per prevenire grave usura o danni al motore, non mettere mai in funzione il motore con un livello d'olio inferiore o superiore all'intervallo operativo presente sull'astina di misurazione.

Assicurarsi che il motore sia freddo. Pulire l'area di rifornimento olio e l'asta da eventuali detriti.

1. Rimuovere l'astina di livello dell'olio e pulirla.
2. Reinscrivere l'astina nel tubo e lasciarla sul bocchettone di rifornimento. Ruotare in senso antiorario fino a quando il tappo scende al livello minimo della filettatura; non avvitare il tappo sul bocchettone.
 - a. Rimuovere l'astina e controllare il livello dell'olio. Il livello deve trovarsi al livello massimo indicato sull'asta.
oppure
 - b. Rimuovere il tappo di rifornimento olio. Il livello deve essere al limite del bocchettone.
3. Se il livello è basso, aggiungerne fino ad arrivare al limite del bocchettone.
4. Reinstallare il tappo di rifornimento/l'astina di livello dell'olio e serrare saldamente.

Cambio dell'olio

Cambio olio a motore caldo.

1. Pulire l'area intorno al tappo dell'olio/astina e tappo di spurgo.
2. Rimuovere il tappo di spurgo ed il tappo di rifornimento/l'astina. Rimuovere completamente l'olio.
3. Reinstallare il tappo di spurgo. Serrare a una coppia di 17,6 N·m (13 ft. lb.).
4. Riempire il carter con olio nuovo, fino al limite massimo del bocchettone di rifornimento.

5. Reinstallare il tappo di rifornimento/l'astina di livello dell'olio e serrare saldamente.
6. Smaltire l'olio usato in conformità alle normative locali.

Oil Sentry™ (se in dotazione)

Questo pressostato è progettato per evitare che il motore venga avviato in assenza d'olio o ad un livello basso dello stesso. L'Oil Sentry™ potrebbe non essere in grado di spegnere un motore in esercizio prima che si verifichi il danno. In alcune applicazioni il pressostato può attivare un segnale di allarme. Per maggiori informazioni, consultare il manuale d'uso dell'apparecchiatura.

Raccomandazioni sul combustibile

	AVVERTENZA
	<p>Il combustibile esplosivo può provocare incendi e gravi ustioni.</p> <p>Non fare rifornimento di carburante a motore caldo o acceso.</p>
<p>La benzina è estremamente infiammabile ed in presenza di scintille i suoi vapori possono provocare esplosioni. Conservare la benzina esclusivamente in contenitori omologati, in fabbricati ventilati e non abitati e lontano da fiamme libere o scintille. Eventuale carburante fuoriuscito potrebbe incendiarsi venendo a contatto con parti calde o scintille di accensione. Non utilizzare mai la benzina come detergente.</p>	

NOTA: E15, E20 e E85 NON sono approvati e NON dovrebbero essere utilizzati; gli effetti di carburante vecchio, stantio o contaminato non sono coperti da garanzia.

Il carburante deve soddisfare i seguenti requisiti:

- Benzina senza piombo pulita e fresca.
- Indice di ottani minimo di 87 (R+M)/2.
- Indice Research Octane Number (RON) di 90 minimo.
- È accettabile benzina contenente fino al 10% di alcol etilico e il 90% di benzina senza piombo.
- L'uso della miscela di Metil Ter-Butil Etere (MTBE) e benzina senza piombo (max. 15% di MTBE) è approvato.
- Non aggiungere olio alla benzina.
- Non riempire eccessivamente il serbatoio del carburante.
- Non utilizzare benzina più vecchia di 30 giorni.

Rifornimento di carburante

	 AVVERTENZA
	Il combustibile esplosivo può provocare incendi e gravi ustioni. Non fare rifornimento di carburante a motore caldo o acceso.
La benzina è estremamente infiammabile ed in presenza di scintille i suoi vapori possono provocare esplosioni. Conservare la benzina esclusivamente in contenitori omologati, in fabbricati ventilati e non abitati e lontano da fiamme libere o scintille. Eventuale carburante fuoriuscito potrebbe incendiarsi venendo a contatto con parti calde o scintille di accensione. Non utilizzare mai la benzina come detergente.	

Assicurarsi che il motore sia freddo.

1. Pulire l'area intorno al tappo del carburante.
2. Rimuovere il tappo del carburante. Riempire fino alla base del bocchettone. Non riempire eccessivamente il serbatoio del carburante. Lasciare al carburante lo spazio per espandersi.
3. Reinserire il tappo e serrare saldamente.

Tubi di alimentazione

Sui motori Kohler Co. con carburatore deve essere installata una linea di alimentazione a bassa permeazione per soddisfare le esigenze normative EPA e CARB.



Valvola del carburante

I motori sono provvisti di una valvola del carburante e filtro a rete integrale posizionati all'ingresso del carburatore. La valvola controlla e filtra il flusso di carburante dal serbatoio al carburatore. Pulire la coppa della valvola del carburante da eventuali detriti.

1. Rimuovere i due dadi, le due viti e il pannello di copertura del carburatore.
2. Ruotare la leva della valvola in posizione OFF.
3. Rimuovere la valvola del carburante. Rimuovere l'O-ring e il parafiltro.
4. Pulire il parafiltro e la coppa della valvola del carburante con il solvente.
5. Controllare il parafiltro e l'O-ring, e sostituire se danneggiato.
6. Reinstallare l'O-ring seguita dalla coppa della valvola del carburante. Ruotare la coppa della valvola del carburante fino a quando è avvitabile a mano. Stringere con una chiave con 1/2 o 3/4 di giro.

7. Portare la valvola del carburante in posizione ON e verificare la presenza di eventuali perdite. In caso di perdite, ripetere i passi 5 e 6.
8. Serrare saldamente il tappo del carburante.
9. Reinserire il pannello di copertura del carburatore fissandolo con il dispositivo rimosso al passo 1.

Candele

	 ATTENZIONE
	Le scosse elettriche possono provocare lesioni personali. Non toccare i cavi elettrici con il motore in funzione.

Pulire la sede della candela. Rimuovere la candela e sostituirla.

1. Controllare con uno spessimetro la distanza tra gli elettrodi. Regolare la distanza, vedere le specifiche in tabella.
2. Installare la candela nella testa del cilindro.
3. Serrare a una coppia di 27 N·m (20 ft. lb.).

Filtro dell'aria

NOTA: il motore potrebbe danneggiarsi se fatto funzionare in condizioni normali con il coperchio in posizione invernale.

NOTA: il funzionamento del motore con parti mancanti o danneggiate potrebbe causare usura prematura e malfunzionamento. Sostituire tutti i componenti piegati o danneggiati.

NOTA: non passare aria compressa sugli elementi di carta.

Quad-Clean™

Spostare verso il basso le staffe del coperchio del filtro dell'aria; rimuovere i fermi da sotto le linguette sulla base. Rimuovere il coperchio.

Prefiltro:

1. Rimuovere il prefiltro dall'elemento in carta.
2. Sostituire o lavare il prefiltro in acqua calda e detergente. Sciacquare e lasciare asciugare all'aria.
3. Passare un velo d'olio sul prefiltro utilizzando olio motore nuovo; spremere l'olio in eccesso.
4. Reinstallare il prefiltro sull'elemento in carta.

Elemento in carta:

1. Separare il prefiltro dall'elemento; eseguire la manutenzione sul prefiltro e sostituire l'elemento in carta.
2. Installare il nuovo elemento in carta sulla base; installare il prefiltro sull'elemento in carta.

Posizionare il coperchio del filtro per il funzionamento normale, con la decalcomania del sole all'esterno o per il funzionamento invernale, con la decalcomania del dendride all'esterno. Posizionare le linguette sotto la base e sollevare i fermi per fissare il coperchio.

Basso profilo

1. Rimuovere la vite e il coperchio del filtro dell'aria.
2. Rimuovere l'elemento in schiuma dalla base.
3. Lavare l'elemento in schiuma in acqua calda e detergente. Sciacquare e lasciare asciugare all'aria.
4. Passare un velo d'olio sull'elemento in schiuma utilizzando olio motore nuovo; spremere l'olio in eccesso.
5. Reinstallare l'elemento in schiuma nella base.
6. Reinstallare il coperchio e fissarlo con la vite.

Tubo di sfiato

Assicurarsi che entrambe le estremità del tubo di sfiato siano collegate correttamente.

Raffreddamento ad aria

	 AVVERTENZA
	<p>I componenti caldi possono provocare gravi ustioni.</p> <p>Evitare di toccare il motore durante il funzionamento o immediatamente dopo averlo spento.</p>
<p>Non azionare mai il motore senza le protezioni termiche o le coperture di sicurezza previste.</p>	

Un corretto raffreddamento è essenziale. Per impedire il surriscaldamento, pulire gli schermi, le alette di raffreddamento e le altre superfici esterne del motore. Non spruzzare acqua sui cavi o altri componenti elettrici. Vedere Programma di manutenzione.

Riparazioni/Ricambi

Si consiglia di affidare la manutenzione, l'assistenza e il reperimento di ricambi a un concessionario Kohler. Per trovare un concessionario Kohler visitare KohlerEngines.com o chiamare il numero 1-800-544-2444 (U.S.A. e Canada).

Stoccaggio

Se il motore rimane fuori servizio per più di 2 mesi attenersi alla procedura seguente.

1. Aggiungere additivo Kohler PRO Series o equivalente al serbatoio del carburante. Far funzionare il motore per 2-3 minuti per stabilizzare l'alimentazione. I malfunzionamenti dovuti a carburante non trattato non sono coperti da garanzia.
2. Sostituire l'olio con il motore ancora caldo per l'uso. Rimuovere le candele e versare circa 30g di olio motore nei cilindri. Sostituire le candele e avviare lentamente il motore per distribuire l'olio.
3. Scollegare il cavo negativo (-) della batteria.
4. Conservare il motore in un luogo asciutto e pulito.

Ricerca dei guasti

Non cercare di eseguire interventi di manutenzione o riparazione sui principali componenti del motore o su particolari che richiedono speciali procedure di regolazione e fasatura. Queste attività devono essere effettuate da un concessionario Kohler.

Problema	Possibile causa							
	Assenza di carburante	Carburante inappropriato	Sporcizia nel circuito di alimentazione	Schermo sporco di residui	Livello dell'olio non corretto	Motore sovraccarico	Filtro dell'aria sporco	Candela difettosa
Mancato avvio	•	•	•		•	•	•	•
Difficoltà di avviamento		•	•		•	•	•	•
Arresto improvviso	•		•	•	•	•	•	•
Perdita di potenza		•	•	•	•	•	•	•
Funzionamento irregolare		•	•			•	•	•
Il motore batte in testa		•		•		•		•
Salti o mancata accensione		•	•	•			•	•
Ritorno di fiamma		•	•			•	•	•
Surriscaldamento		•	•	•	•	•	•	
Elevato consumo di carburante						•	•	•

IT

Specifiche del motore

Modello	Alesaggio	Corsa	Cilindrata	Capacità olio (rabbocco)	Luce della candela	Angolo di funzionamento – Max (livello max dell'olio)*
CH260	2,8 in. (70 mm)	2,1 in. (54 mm)	12,7 in. (208 cc)	0,63 U.S. qt. (0,60 L)	0,03 in. (0,76 mm)	25°
CH270						
CH395	3,1 in. (78 mm)	2,3 in. (58 mm)	16,9 in. (277 cc)	1,16 U.S. qt. (1,1 L)		
CH440	3,5 in. (89 mm)	2,7 in. (69 mm)	24,7 in. (429 cc)			

*Il superamento del massimo angolo di funzionamento potrebbe danneggiare il motore a causa dell'insufficiente lubrificazione.

Ulteriori informazioni relative alle specifiche sono disponibili nel manuale di assistenza presso KohlerEngines.com.

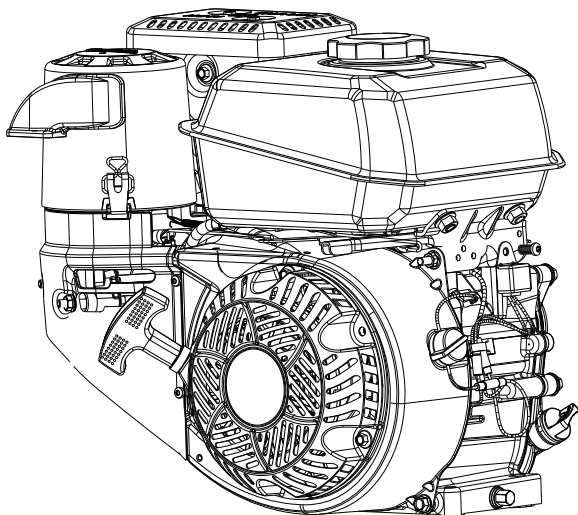
Il sistema di controllo delle emissioni di scarico per il modello CH260, CH270, CH395, CH440 è EM per U.S. EPA, California ed Europa.

Tutti i riferimenti relativi alla potenza in CV di Kohler sono Certified Power Ratings e conformi alle normative SAE J1940 e J1995. Informazioni dettagliate su Certified Power Ratings sono disponibili su KohlerEngines.com.

KOHLER® Command PRO®

CH260, CH270, CH395, CH440

Gebruikershandleiding



BELANGRIJK: Lees alle veiligheidsvoorzorgsmaatregelen en -instructies aandachtig door voordat u de apparatuur bedient. Raadpleeg de gebruiksaanwijzing van de apparatuur die deze motor opstart.

Zorg ervoor dat de motor is gestopt en op een vlakke ondergrond staat voordat u onderhoud of nazicht uitvoert.

Garantiedekking zoals beschreven op de garantiekaart en op KohlerEngines.com. Lees dit aandachtig door, u vindt hier specifieke rechten en verplichtingen.

Noteer de motorinformatie als referentie bij het bestellen van onderdelen of om garantie te krijgen.

Motormodel _____
Specificatie _____
Serienummer _____
Aankoopdatum _____

Veiligheidsmaatregelen

⚠ WAARSCHUWING: Een gevaar dat overlijden, ernstig letsel of aanzienlijke schade kan veroorzaken.

⚠ VOORZICHTIG: Een gevaar dat licht persoonlijk letsel of schade kan veroorzaken.

OPMERKING: wordt gebruikt om mensen op de hoogte te stellen van belangrijke informatie met betrekking tot installatie, bediening of onderhoud.

	⚠ WAARSCHUWING
	<p>Explosieve brandstof kan brand en ernstige brandwonden veroorzaken.</p> <p>De brandstoftank niet vullen terwijl de motor warm is of loopt.</p>
<p>Benzine is uiterst brandbaar en benzinedampen kunnen exploderen indien ontstoken. Sla benzine alleen op in goedgekeurde containers, in goed geventileerde, leegstaande gebouwen, uit de buurt van vonken of vlammen. Gemorst brandstof kan ontbranden als het in contact komt met hete onderdelen of vonken van de ontsteking. Gebruik nooit benzine als reinigingsmiddel.</p>	

	⚠ WAARSCHUWING
	<p>Koolmonoxide kan ernstige misselijkheid, flauwvallen of de dood veroorzaken.</p> <p>Vermijd het inademen van uitlaatgassen.</p>
<p>Motoruitlaatgassen bevatten giftige koolmonoxide. Koolmonoxide is geurloos en kleurloos en kunnen de dood veroorzaken bij inademing.</p>	

  	⚠ WAARSCHUWING
	<p>Onbedoeld starten kan ernstige verwondingen of de dood tot gevolg hebben.</p> <p>Ontkoppel en aard bougiekabel(s) voordat u onderhoud uitvoert.</p>
<p>Voordat u werkt aan de motor of uitrusting, schakel de motor als volgt uit: 1) Ontkoppel de bougiekabel(s). 2) Ontkoppel de negatieve (-) accukabel van de accu.</p>	

NL

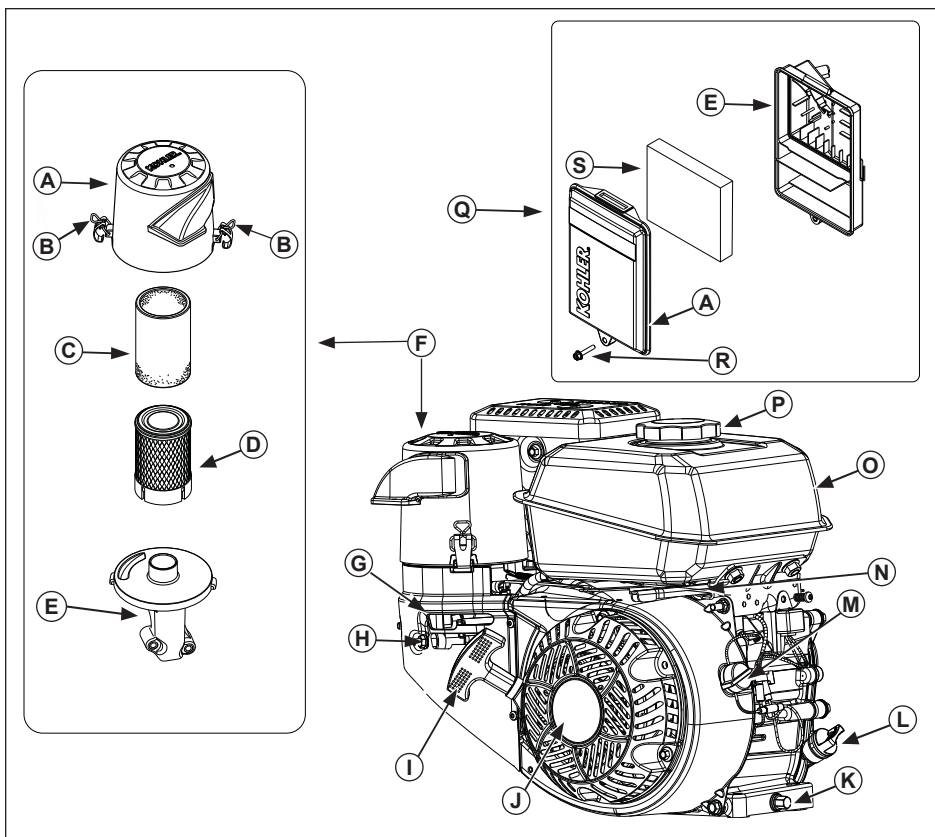
	⚠ WAARSCHUWING
	<p>Draaiende onderdelen kunnen ernstige verwondingen veroorzaken.</p> <p>Blijf uit de buurt van de motor terwijl deze in bedrijf is.</p>
<p>Houd handen, voeten, haar en kleding uit de buurt van alle bewegende delen ter voorkoming van letsel. De motor nooit bedienen met verwijderde bedekkingen, beschermkragen of afschermingen.</p>	

	⚠ VOORZICHTIG
	<p>Elektrische schokken kunnen letsel veroorzaken.</p> <p>Geen kabels aanraken terwijl de motor draait.</p>

	⚠ WAARSCHUWING
	<p>Hete onderdelen kunnen ernstige brandwonden veroorzaken.</p> <p>De motor niet aanraken tijdens gebruik of net na het stoppen.</p>
<p>De motor nooit bedienen met verwijderde hiteschilden of afschermingen.</p>	

Waarschuwing Californië Proposition 65

Uitlaatgassen van dit product bevatten chemische stoffen die bij de staat Californië bekend zijn als kankerverwekkend en veroorzakers van geboortefwijkingen of andere reproductieve schade.




A	Deksel van de luchtreiniger	B	Trekbeugel	C	Voorreiniger	D	Papierelement
E	Basis van de luchtreiniger	F	Quad-Clean™ Luchtreiniger	G	Hendel smooispoel	H	Brandstofafsluiter
I	Starterhendel	J	Intrekbare starter	K	Olief aftapdop	L	Oliefpeilstok/olievuldop
M	Aan/uitschakelaar (indien voorzien)	N	Gashendel	O	Brandstoftank	P	Brandstofdop
Q	Laag-profiel luchtreiniger	R	Schroef	S	Schuimelement		

Controlelijst voor het starten

1. Controleer het oliepeil. Voeg olie toe indien peil laag. Niet te ver vullen.
2. Controleer het brandstofpeil. Voeg brandstof toe indien peil laag. Controleer brandstofsysteemcomponenten en lijnen op lekken.
3. Controleer de koelgebieden, luchtinlaatgebieden en de externe oppervlakken van de motor (in het bijzonder na opslag) en maak deze schoon.
4. Controleer of de luchtreinigeronderdelen en alle kragen, afdekkingen en schermen stevig op hun plaats zijn aangebracht.
5. Controleer de bougieveiligheid (indien voorzien).

Starten

	 WAARSCHUWING
	Koolmonoxide kan ernstige misselijkheid, flauwvallen of de dood veroorzaken. Vermijd het inademen van uitlaatgassen.
Motoruitlaatgassen bevatten giftige koolmonoxide. Koolmonoxide is geurloos en kleurloos en kunnen de dood veroorzaken bij inademing.	

	 WAARSCHUWING
	Draaiende onderdelen kunnen ernstige verwondingen veroorzaken. Blijf uit de buurt van de motor terwijl deze in bedrijf is.
Houd handen, voeten, haar en kleding uit de buurt van alle bewegende delen ter voorkoming van letsel. De motor nooit bedienen met verwijderde bedekkingen, beschermkragen of afschermingen.	

OPMERKING: De chokepositie voor de start kan afhankelijk van de temperatuur en andere factoren variëren. Zodra de motor draait en warm is, draait u de choke naar de OFF-positie.

OPMERKING: Trek het starterkoord regelmatig uit om de staat ervan te controleren. Als het koord is gerafeld onmiddellijk laten vervangen door een Kohler geautoriseerde dealer.

OPMERKING: U mag de motor niet langer dan 10 seconden continu aandraaien. Sta tussen de startpogingen een afkoelperiode van 60 seconden toe. De startmotor kan uitbranden als u deze richtlijnen niet opvolgt.

OPMERKING: Indien de motor voldoende snelheid ontwikkelt om de starter te ontkoppelen, maar niet blijft lopen (een valse start) moet de motorrotatie tot een volledige stilstand komen voordat u de motor opnieuw probeert op te starten. Indien de starter is losgekoppeld terwijl het vliegwiel draait, kunnen het rondsel van de starter en de vliegwielring botsen, wat schade aan de starter kan opleveren.

1. Draai de brandstofafsluiter naar de ON-positie (indien aanwezig).
2. Draai de aan/uit-schakelaar van de motor naar de ON-positie (indien aanwezig).
3. Start de motor als volgt:
Koude motor: Plaats de gashendel in het midden tussen de posities SLOW (traag) en FAST (snel). Plaats de chokeknoop in de positie ON.
Warme motor: Plaats de gashendel in het midden tussen de posities SLOW (traag) en FAST (snel). Breng de choke opnieuw in de positie OFF zodra de motor start. Een warme motor hoeft gewoonlijk niet gehooft te worden.
4. Intrekbare start: Trek de starterhendel langzaam tot net voorbij de compressie - STOP! Zet de starterhendel terug; trek de hendel recht uit om buitensporige koordslijtage door de koordgeleider te voorkomen.
Elektrische starter: activeer starterschakelaar. Laat schakelaar los zodra de motor start. Indien de starter de motor niet doet draaien, dient u de starter onmiddellijk af te sluiten. Onderneem geen verdere pogingen om de motor te starten totdat de toestand hersteld is. U mag geen springstart uitvoeren. Raadpleeg uw Kohler erkende dealer voor probleemanalyse.

5. Breng de chokeknoop langzaam in de OFF-positie nadat de motor start en opwarmt. De motor/apparatuur kan bediend worden tijdens de opwarmperiode, maar het kan noodzakelijk zijn om de choke gedeeltelijk aan te laten staan totdat de motor opwarmt.

Starttips bij koud weer

1. Gebruik de juiste olie voor de verwachte temperatuur.
2. Koppel alle mogelijke externe belasting los.
3. Gebruik verse winterbenzine. Winterbenzine heeft een hogere vluchtigheid voor een betere start.

Stoppen

1. Indien mogelijk dient u de lading te verwijderen door alle PTO-aangedreven aankoppelingen los te koppelen.
2. Indien voorzien, beweegt u de gashendel in de trage of stationaire positie; stop de motor.
3. Indien voorzien sluit u de brandstofafsluiter.

Bedieningshoek

Raadpleeg de gebruiksaanwijzingen van de apparatuur die deze motor opstart. U mag deze motor niet bedienen bij een hogere maximale bedieningshoek; raadpleeg de specificatietabel. Er kan schade aan de motor ontstaan door onvoldoende smering.

NL

Motortoerental

OPMERKING: Niet knoeien met de toerenregelaar om het maximale motortoerental te verhogen. Overtoeren is gevaarlijk en maakt de garantie ongeldig.

Bediening op hoge hoogte

Deze motor vereist mogelijk een carburateurkit voor hoge hoogtes om de correcte motorwerking te garanderen op hoogtes van meer dan 1219 meter (4000 ft.). Voor meer informatie over een kit voor hoge hoogtes of om een Kohler erkende dealer te vinden gaat u naar KohlerEngines.com, of bel 1-800-544-2444 (VS en Canada).

Deze motor moet bediend worden in zijn oorspronkelijke configuratie onder 1219 meter (4000 ft.) aangezien schade kan ontstaan wanneer een hoge hoogte carburateurkit geplaatst is en bediend wordt onder 1219 meter (4000 ft.).

Beijzing van de carburateur

OPMERKING: wanneer de motor in normale omstandigheden draait met een klep voor bediening bij koud weer, kan dit de motor beschadigen.

Er kan beijzing van de carburateur plaatsvinden wanneer bepaalde temperatuurcombinaties en vochtigheid bestaan. Het gevolg van beijzing van de carburateur is ruw draaien bij een stationaire of lage snelheid, en ook zwarte of witte rook.

Om de kans op beijzing van de carburateur te beperken, kan de luchtreinigerklep gedraaid worden om warmere lucht uit de demperzijde te trekken. Voor bediening bij koud weer dient u de luchtreinigerklep te plaatsen met sneeuwvloksticker uit.

Voor bediening bij normaal weer dient u de luchtreinigerklep te plaatsen met zonsticker uit.

Onderhoudsinstructies

	⚠ WAARSCHUWING	Voordat u werkt aan de motor of uitrusting, schakel de motor als volgt uit: 1) Ontkoppel de bougiekabel(s). 2) Ontkoppel de negatieve (-) accukabel van de accu.
	Onbedoeld starten kan ernstige verwondingen of de dood tot gevolg hebben. Ontkoppel en aard bougiekabel(s) voordat u onderhoud uitvoert.	

Normaal onderhoud, vervanging of reparatie van uitstootbeperkende apparatuur en systemen kunnen worden uitgevoerd door een reparatiepunt of een persoon. Garantiereparaties moeten echter worden uitgevoerd door een erkende Kohler dealer, die u vindt op KohlerEngines.com of bel op het nummer 1-800-544-2444 (VS en Canada).

Onderhoudsschema

Na de eerste 5 uur

- Olie verversen.

Om de 50 uur of jaarlijks

- Quad-Clean™ voorreiniger nazien/vervangen.

Om de 100 uur of jaarlijks¹

- Laag profiel luchtreinigerelement schoonmaken.
- Olie verversen.
- Koelgebieden schoonmaken.
- Vervang de bougie en stel de opening af.

Om de 200 uur²

- Controleer de klepopening en pas deze aan wanneer de motor koud is.

Om de 200 uur

- Vervang Quad-Clean™ luchtreinigerelement.

Om de 300 uur

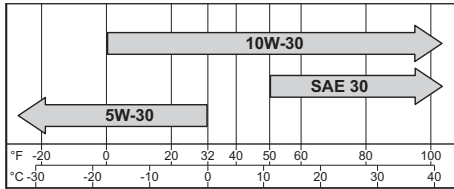
- Vervang laag profiel luchtreinigerelement.
- Controleer brandstoffilters (tankuitstroomfilter en inlijnfilter) en reinig of vervang indien nodig (indien voorzien).

¹ Voer deze procedures vaker uit onder extreem stoffige, vuile omstandigheden.

² Laat dit onderhoud uitvoeren door een Kohler erkende dealer.

Olieaanbevelingen

We bevelen het gebruik van Kohler olie aan om de beste resultaten te bereiken. Andere detergenten, olie van hoge kwaliteit (inclusief synthetische olie) of API (American Petroleum Institute) serviceklasse SJ of hoger is aanvaardbaar. Selecte viscositeit op basis van luchttemperatuur op het ogenblik van bediening, zoals weergegeven in de onderstaande tabel.



Controleer het oliepeil

OPMERKING: Om uitgebreide motorslijtage of schade te voorkomen mag u de motor nooit laten draaien met een oliepeil dat onder of hoger ligt dan de bedieningsbereikindicator op de oliepeilstok.

Zorg dat de motor koel is. Verwijder eventueel vuil van de olievl/oliepeilstokgebieden.

1. Verwijder de peilstok; veeg de olie weg.
2. Plaats de peilstok opnieuw in de buis; laat rusten op de olievlnek; draai linksom totdat de dop tot het laagste punt zakt van de draadkabels; u mag de dop niet op de buis schroeven.
 - a. Verwijder de peilstok; controleer oliepeil. Het peil moet zich bovenaan op de indicator op de peilstok bevinden.
 - of
 - b. verwijder de olievlndop. Het peil moet tot op het punt van de overstromende vlnek liggen.
3. Indien het oliepeil laag is, dient u olie bij te vullen tot het punt van de overstromende vlnek.
4. Plaats de olievlndop of oliepeilstok terug en draai stevig vast.

Olie ververset

Vervang de olie terwijl de motor warm is.

1. Maak het gebied rond de olievlndop/oliepeilstok schoon en tap olie af.
2. Verwijder de aftapdop en de olievlndop/oliepeilstok. Tap de olie volledig af.
3. U dient de aftapdop terug te plaatsen. Aandraaien tot 17,6 N·m (13 ft. lb.).

4. Vul het carter met nieuwe olie, tot op het punt van de overstromende vlnek.
5. Plaats de olievlndop/oliepeilstok terug en draai stevig vast.
6. gooi de gebruikte olie weg conform de plaatselijke wetgeving.

Oil Sentry™ (indien voorzien)

Deze schakelaar werd speciaal ontwikkeld om te verhinderen dat de motor start met een laag oliepeil of zonder olie. Oil Sentry™ schakelt een draaiende motor mogelijk niet uit voordat schade optreedt. In sommige toepassingen kan deze schakelaar een waarschuwingssignaal activeren. Lees uw handleidingen voor meer informatie.

Brandstofaanbevelingen

	WAARSCHUWING
	Explosieve brandstof kan brand en ernstige brandwonden veroorzaken. De brandstoftank niet vullen terwijl de motor warm is of loopt.
Benzine is uiterst brandbaar en benzinedampen kunnen exploderen indien ontstoken. Sla benzine alleen op in goedgekeurde containers, in goed geventileerde, leegstaande gebouwen, uit de buurt van vonken of vlammen. Gemorstte brandstof kan ontbranden als het in contact komt met hete onderdelen of vonken van de ontsteking. Gebruik nooit benzine als reinigingsmiddel.	

NL

OPMERKING: E15, E20 en E85 werden NIET goedgekeurd en mogen NIET gebruikt worden; het gevolg van oude, verouderde of vervuilde brandstof valt niet onder de garantie.

De brandstof moet aan deze vereisten voldoen:

- schone, verse, loodvrije benzine.
- Octaangehalte van 87 (R+M)/2 of hoger.
- Research Octane Number (RON) 90 octaan minimum.
- Benzine tot 10% ethylalcohol, 90% loodvrij is aanvaardbaar.
- Methyl Tertiary Butyl Ether (MTBE) en loodvrije benzinemix (max. 15% MTBE volgens volume) goedgekeurd.
- Voeg geen olie toe aan benzine.
- De brandstoftank niet overvol vullen.
- Geen benzine gebruiken die ouder is dan 30 dagen.

Brandstof toevoegen



WAARSCHUWING

Explosieve brandstof kan brand en ernstige brandwonden veroorzaken.

De brandstoftank niet vullen terwijl de motor warm is of loopt.

Benzine is uiterst brandbaar en benzinedampen kunnen exploderen indien ontstoken. Sla benzine alleen op in goedgekeurde containers, in goed geventileerde, leegstaande gebouwen, uit de buurt van vonken of vlammen. Gemorste brandstof kan ontbranden als het in contact komt met hete onderdelen of vonken van de ontsteking. Gebruik nooit benzine als reinigingsmiddel.

Zorg dat de motor koel is.

1. Maak het gebied rond de brandstofdop schoon.
2. Verwijder de brandstofdop. Vul tot de basis van de vullerhals. De brandstoftank niet overvol vullen. Laat ruimte over voor de brandstof om uit te zetten.
3. Plaats de brandstofdop terug en draai stevig aan.

Brandstofleiding

Er dient een lage permeatie brandstoflijn geplaatst te worden op gecarburateerde Kohler Co. motoren om de EPA en CARB wetten na te leven.

Brandstofklep

De motoren zijn uitgerust met een brandstofklep en integrale schermfilter die zich aan de instroom van de carburateur bevindt. Het regelt en filtert de brandstofstroom van de tank naar de carburateur. Verwijder vuil van de kom van de brandstofklep.

1. Verwijder twee moeren, twee schroeven en carburateur afdekpaneel.
2. Draai de brandstofklephendel in de OFF positie.
3. Verwijder de kom van de brandstofklep. Verwijder de O-ring en filterscherm.
4. Maak het scherm en de kom van de brandstofklep schoon met oplosmiddel en veeg het weg.
5. Controleer het scherm en de O-ring, vervang indien beschadigd.
6. Plaats de O-ring terug, gevolgd door de kom van de brandstofklep. Roteer de kom van de brandstofklep totdat deze vingervast is. Draai met een schroefleutel 1/2 tot 3/4 volledige draai.

7. Draai de brandstofklep in de positie ON en controleer op lekken. Herhaal stappen 5 en 6 indien brandstofklep lekt.
8. Draai de brandstofdop stevig aan.
9. Plaats het carburateurafdekpaneel terug en maak het vast met de hardware die verwijderd werd in stap 1.

Ontstekingsbougies



VOORZICHTIG

Elektrische schokken kunnen letsel veroorzaken.

Geen kabels aanraken terwijl de motor draait.

Reinig de inkeping van de ontstekingsbougie. Verwijder dop en plaats terug.

1. Controleer de opening met behulp van een voelmaat. Pas de opening aan, raadpleeg de specificatietabel voor aanpassing.
2. Plaats de dop in de cilinderkop.
3. Dop aandraaien tot 27 N·m (20 ft. lb.).

Luchtreiniger

OPMERKING: wanneer de motor in normale omstandigheden draait met een klep voor bediening bij koud weer, kan dit de motor beschadigen.

OPMERKING: De bediening van de motor met loszittende of beschadigde luchtreinigeronderdelen, kan voortijdige slijtage en storingen veroorzaken. Vervang alle gebogen of beschadigde onderdelen.

OPMERKING: papierelementen kunnen niet weggeblazen worden met perslucht.

Quad-Clean™

Beweeg de trekbeugels op luchtreinigerklep omlaag; verwijder vergrendeling van onder tabs op basis; verwijder klep.

Voorreiniger:

1. verwijder voorreiniger van papierelement.
2. vervang of was voorreiniger in warm water met detergent. spoelen en aan de lucht laten drogen.
3. De voorreiniger licht invetten met nieuwe motorolie; overtollige olie uitknippen.
4. Voorreiniger terugplaatsen over papierelement.

Papierelement:

1. voorreiniger scheiden van element; voorreiniger nakijken en papierelement vervangen.
2. Nieuw papierelement op basis installeren; voorreiniger over papierelement installeren.

Afdekking voor luchtreiniger plaatsen voor normale werking (zon sticker uit), of bediening bij koud weer (sneeuwvlok sticker uit); plaats de grendels onder de tabs op de basis; til de trekbeugels omhoog om de klep vast te zetten.

Laag profiel

1. Verwijder de schroef en de afdekking van de luchtreiniger.
2. Verwijder schuimelement van basis.
3. Was schuimelement in warm water met detergent. spoelen en aan de lucht laten drogen.
4. Het schuimelement licht invetten met nieuwe motorolie; overtollige olie uitknijpen.
5. Het schuimelement terugplaatsen in de basis.
6. Afdekking terugplaatsen en vastmaken met schroef.

Opslag

Volg de onderstaande procedure indien de motor gedurende 2 maanden of langer niet gebruikt zal worden.


1. Voeg Kohler PRO Series brandstofbehandeling of gelijkaardig toe aan de brandstoftank. Laat de motor 2-3 minuten draaien om gestabiliseerde brandstof in het brandstofsysteem te krijgen (storingen omwille van onbehandelde brandstof vallen niet onder de garantie).
2. Ververs de olie terwijl de motor nog warm is. Verwijder de ontstekingsbougie(s) en giet circa 1 oz. motorolie in de cilinder(s). Vervang de ontstekingsbougie(s) en laat de motor langzaam draaien om de olie te distribueren.
3. Koppel de negatieve (-) batterijkabel los.
4. Bewaar de motor op een schone, droge plaats.

NL

Beluchtingsbuis

Zorg dat beide uiteinden van beluchtingsbuis goed zijn aangesloten.

Luchtkoeling

	WAARSCHUWING
	Hete onderdelen kunnen ernstige brandwonden veroorzaken. De motor niet aanraken tijdens gebruik of net na het stoppen .
De motor nooit bedienen met verwijderde hitteschilden of afschermingen.	

Goede koeling is essentieel. Om oververhitting te voorkomen dient u de schermen, koelvinnen en andere externe oppervlakken van de motor schoon te maken. Vermijd het sproeien van water op de bekabelingsbehuizing of andere elektrische componenten. Raadpleeg de onderhoudsplanning.

Reparaties/onderhoudsonderdelen

We bevelen aan dat u een Kohler erkende dealer gebruikt voor alle onderhoud, nazicht en vervangende onderdelen voor de motor. Om een Kohler erkende dealer te zoeken gaat u naar KohlerEngines.com of bel 1-800-544-2444 (VS en Canada).

Problemen oplossen

Probeer geen grote motoronderdelen te onderhouden of te vervangen, of items waarvoor speciale timing of aanpassingsprocedures nodig zijn. Deze werkzaamheden moeten worden uitgevoerd door een Kohler erkende dealer.

Probleem	Mogelijke oorzaak							
	Geen brandstof	Onjuiste brandstof	Vuil in brandstofleiding	Vuil rommel-scherm	Onjuist oliepeil	Motor overbelast	Vuile luchtreiniger	Defecte bougie
Start niet	•	•	•		•	•	•	•
Start moeilijk		•	•		•	•	•	•
Stopt plotseling	•		•	•	•	•	•	•
Geen stroom		•	•	•	•	•	•	•
Werkt schokkerig		•	•	•		•	•	•
Maakt geluiden		•		•		•		•
Slaat over of slaat niet aan		•	•	•			•	•
Slaat terug		•	•			•	•	•
Raakt oververhit		•	•	•	•	•	•	
Hoog brandstofverbruik						•	•	•

Motorspecificaties

Model	Boring	Slag	Slagvolume	Oliecapaciteit (opnieuw vullen)	Ontstekings-bougie-opening	Maximale bedieningshoek (@ vol oliepeil)*
CH260	70 mm (2,8 in.)	54 mm (2,1 in.)	208 cc (12,7 in.)	0,60 L (0,63 U.S. qt.)	0,76 mm (0,03 in.)	25°
CH270						
CH395	78 mm (3,1 in.)	58 mm (2,3 in.)	277 cc (16,9 in.)	1,1 L (1,16 U.S. qt.)		
CH440	89 mm (3,5 in.)	69 mm (2,7 in.)	429 cc (24,7 in.)			

*Het overschrijden van de maximale bedieningshoek kan schade veroorzaken aan de motor door onvoldoende smering.

In de onderhoudshandleiding op KohlerEngines.com is aanvullende specificatie-informatie te vinden.

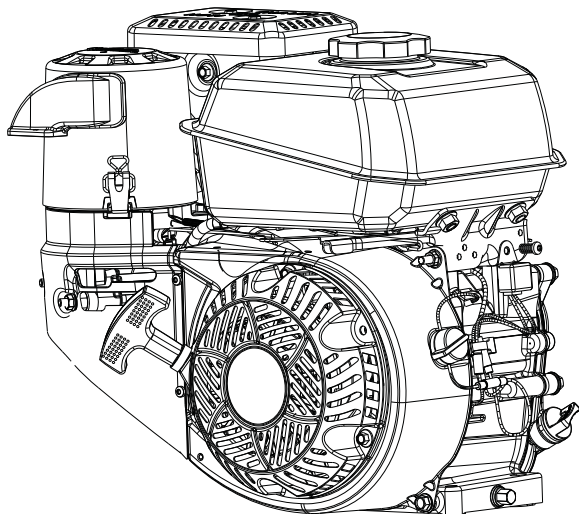
Uitlaatemissiecontrolesysteem voor modellen CH260, CH270, CH395, CH440 is EM voor VS EPA, Californië en Europa.

Alle paardenkrachreferenties (pk) door Kohler zijn gecertificeerde vermogens en gelden per SAE J1940 & J1995 pk-standaarden. Details over gecertificeerde vermogens zijn te vinden op KohlerEngines.com.

KOHLER® Command PRO®

CH260, CH270, CH395, CH440

Podręcznik użytkownika



PL

WAŻNE: Przed przystąpieniem do obsługi urządzeń zapoznaj się dokładnie ze wszystkimi ostrzeżeniami i instrukcjami dotyczącymi bezpieczeństwa. Należy również zapoznać się z instrukcją obsługi urządzeń napędzanych za pomocą niniejszego silnika.

Przed wykonaniem jakiegokolwiek czynności konserwacyjnej lub serwisowej upewnij się, że silnik jest wyłączony i że jest wypoziomowany.

Warunki gwarancji jak przedstawiono w karcie gwarancyjnej i na stronie KohlerEngines.com. Zapoznaj się z nimi szczegółowo, gdyż są one związane z prawami i obowiązkami.

Zapisz informację o silniku, aby podać ją przy zamawianiu części lub korzystaniu z prawa gwarancji.

Model silnika _____

Specyfikacja _____


Numer seryjny _____


Data zakupu _____




Środki ostrożności


- ▲ OSTRZEŻENIE:** Niebezpieczeństwo grożące śmiercią, poważnymi obrażeniami lub istotnym uszkodzeniem mienia materialnego.
- ▲ PRZESTROGA:** Niebezpieczeństwo grożące obrażeniami lub uszkodzeniem mienia materialnego.


UWAGA: wykorzystywana jest ona do informowania ludzi o ważnej instalacji, czynności lub konserwacji.

	<p>▲ OSTRZEŻENIE</p> <p>Wybuchowe paliwo może powodować pożary i poważne oparzenia.</p>
	<p>Nie napełniaj zbiornika paliwa, gdy silnik jest rozgrzany lub uruchomiony.</p>
<p>Benzyna jest bardzo łatwopalna, a w razie zapalenia jej opary mogą wybuchnąć. Benzynę należy przechowywać jedynie w zatwierdzonych pojemnikach, w dobrze wentylowanych, niezamieszkałych budynkach, z dala od wszelkich iskier i płomieni. Rozlane paliwo może zapalić się w przypadku zetknięcia z rozgrzanymi częściami lub iskrami towarzyszącymi zapłonowi. Nie wolno stosować benzyny w roli środka czyszczącego.</p>	

	<p>▲ OSTRZEŻENIE</p> <p>Tlenek węgla może powodować silne nudności, omdlenia lub śmierć.</p> <p>Należy unikać wdychania spalin.</p>
	<p>Gazy spalinowe silnika zawierają toksyczny tlenek węgla. Tlenek węgla jest bezwonny, bezbarwny i w razie wdychania może spowodować śmierć.</p>

  	<p>▲ OSTRZEŻENIE</p> <p>Przypadkowe uruchomienie silnika może spowodować poważne obrażenia ciała lub śmierć.</p> <p>Przed rozpoczęciem serwisowania, odłącz i dokonaj uziemienia przewodów świec zapłonowych.</p>
	<p>Przed rozpoczęciem pracy z silnikami lub z urządzeniami, należy zabezpieczyć silnik, postępując w sposób następujący: 1) Odłącz przewody świec zapłonowych. 2) Odłącz od akumulatora ujemny (-) przewód akumulatora.</p>

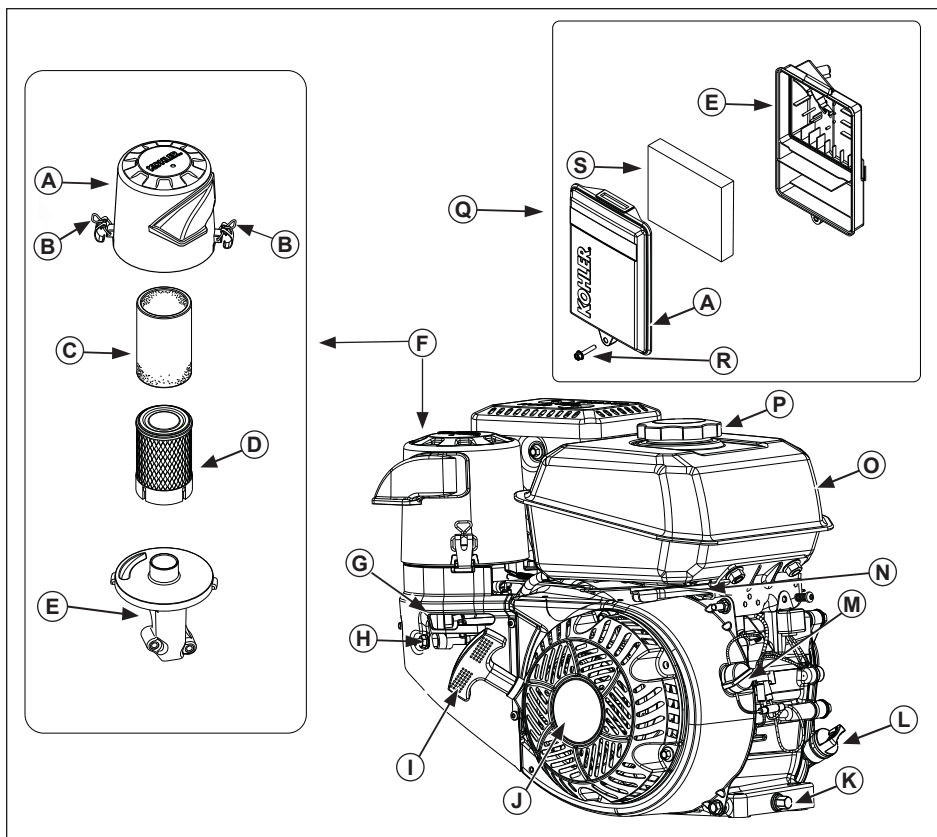
	<p>▲ OSTRZEŻENIE</p> <p>Obracające się części mogą stać się przyczyną poważnych obrażeń.</p> <p>Zachowaj bezpieczną odległość, gdy silnik jest uruchomiony.</p>
	<p>Aby zapobiec urazom, należy trzymać ręce, stopy, włosy i elementy odzieży z dala od obracających się części. Nie wolno uruchamiać silnika, jeśli pokrywy, nakładki ochronne lub osłony są zdemontowane.</p>

	<p>▲ PRZESTROGA</p> <p>Porażenie prądem elektrycznym może spowodować obrażenia ciała.</p> <p>Nie dotykaj przewodów, gdy silnik jest uruchomiony.</p>
---	---

	<p>▲ OSTRZEŻENIE</p> <p>Rozgrzane części mogą powodować poważne oparzenia.</p> <p>Nie dotykaj silnika, gdy jest on uruchomiony lub tuż po jego zatrzymaniu.</p>
	<p>Nie wolno uruchamiać silnika, jeśli osłony ciepłe lub inne zabezpieczenia są zdemontowane.</p>

Ostrzeżenie zgodne z normą prawną 65 stanu Kalifornia

Gazy spalinowe niniejszego produktu zawierają związki chemiczne uznane w stanie Kalifornia jako powodujące nowotwory, wady wrodzone i inne wady rozwojowe.




PL


A	Pokrywa filtra powietrza	B	Uchwyt	C	Filtr wstępny	D	Wkład papierowy
E	Podstawa filtra powietrza	F	Filtr powietrza [™] Quad-Clean	G	Dźwignia ssania	H	Odcięcie paliwa
I	Rączka rozrusznika	J	Rozrusznik chowany	K	Korek spustu oleju	L	Wskaźnik prętotowy poziomu oleju/Korek wlewu oleju
M	Przełącznik On/Off (jeśli jest na wyposażeniu)	N	Dźwignia przepustnicy	O	Zbiornik paliwa	P	Korek wlewu paliwa
Q	Niskoprofilowy filtr powietrza	R	Śruba	S	Wkład piankowy		

Lista kontrolna przed uruchomieniem

1. Sprawdź poziom oleju. Dodaj olej w przypadku niskiego poziomu. Nie przepelniaj zbiornika.
2. Sprawdź poziom paliwa. Dodaj paliwo w przypadku niskiego poziomu. Sprawdź podzespoły układu paliwowego i przewody pod kątem wycieków.
3. Sprawdź i oczyść obszary chłodzenia, obszary wlotu powietrza oraz zewnętrzne powierzchnie silnika (szczególnie po okresie magazynowania).
4. Sprawdź, czy części filtra powietrza oraz wszystkie nakładki ochronne, pokrywy sprzętu i osłony są na swoich miejscach i są solidnie zamocowane.
5. Iskrochron (jeśli jest na wyposażeniu).

Urchamianie

	⚠ OSTRZEŻENIE
	Tlenek węgla może powodować silne nudności, omdlenie lub śmierć. Należy unikać wdychania spalin.
Gazy spalinowe silnika zawierają toksyczny tlenek węgla. Tlenek węgla jest bezwonny, bezbarwny i w razie wdychania może spowodować śmierć.	

	⚠ OSTRZEŻENIE
	Obracające się części mogą stać się przyczyną poważnych obrażeń. Zachowaj bezpieczną odległość, gdy silnik jest uruchomiony.
Aby zapobiec urazom, należy trzymać ręce, stopy, włosy i elementy odzieży z dala od obracających się części. Nie wolno uruchamiać silnika, jeśli pokrywy, nakładki ochronne lub osłony są zdemontowane.	

UWAGA: Położenie dźwigni ssania umożliwiające uruchomienie może różnić się w zależności od temperatury i innych czynników. Po uruchomieniu i rozgrzaniu się silnika, należy ustawić dźwignię ssania w położeniu OFF (WYŁĄCZONE).

UWAGA: Regularnie wyciągaj linkę rozrusznika w celu skontrolowania jej stanu. Jeśli linka jest postrzępiona, wymień ją natychmiast u autoryzowanego dealera firmy Kohler.

UWAGA: Nie uruchamiaj rozrusznika silnika w sposób ciągły przez dłużej niż 10 sekund. Pomiedzy kolejnymi próbami rozruchu rób 60-sekundowe przerwy na schłodzenie. Nieprzestrzeganie tych wskazówek może spowodować przepalenie silnika rozrusznika.

UWAGA: Jeśli silnik osiąga wystarczające obroty dla odłączenia rozrusznika, lecz nie kontynuuje pracy (fałszywy start), wówczas przed próbą ponownego uruchomienia silnika konieczne jest całkowite zatrzymanie obrotów silnika. W razie włączenia rozrusznika przy obracającym się kole zamachowym może nastąpić zderzenie się wałka zębatego rozrusznika z kołem zębatym pierścienia koła zamachowego, powodując uszkodzenie rozrusznika.

1. Ustaw zawór odcinający paliwa w położeniu ON (WŁĄCZONY) (jeśli jest na wyposażeniu).
2. Ustaw przełącznik on/off silnika w położeniu ON (WŁĄCZONY) (jeśli jest na wyposażeniu).

3. Uruchom silnik w następujący sposób:

Silnik nierozgrzany: Ustaw dźwignię przepustnicy w połowie odległości pomiędzy położeniem SLOW i FAST. Ustaw dźwignię ssania w położeniu ON.

Silnik rozgrzany: Ustaw dźwignię przepustnicy w połowie odległości pomiędzy położeniem SLOW i FAST. Gdy tylko silnik rozpocznie pracę, przywróć położenie OFF dźwigni ssania. Gdy silnik jest rozgrzany, włączenie ssania zazwyczaj nie jest konieczne.

4. Rozruch przy użyciu rozrusznika cofanego: Powoli odciągnij uchwyt rozrusznika tuż za położenie sprężania – w tym momencie PRZERWIJ ODCIĄGANIE! Wyciągnij uchwyt rozrusznika; pociągnij energicznie w linii prostej, aby zapobiec nadmiernemu zużyciu linki wskutek tarcia linki rozrusznika o prowadnicę.

Rozruch elektryczny: Włącz przełącznik rozrusznika. Zwolnij przełącznik, gdy tylko silnik rozpocznie pracę. Jeśli rozrusznik nie uruchamia silnika, natychmiast odłącz rozrusznik. Nie ponawiaj prób w celu uruchomienia silnika aż do skorygowania warunków. Nie wykonuj rozruchu skokowo. Aby dokonać analizy problemów, skontaktuj się ze swoim autoryzowanym dealerem firmy Kohler.

5. Po uruchomieniu i rozgrzaniu się silnika, stopniowo przywracaj położenie OFF dźwigni ssania. Podczas rozgrzewania silnik/urządzenia mogą pracować, może być jednak konieczne pozostawienie częściowo włączonego ssania aż do rozgrzania się silnika.

Wskazówki dla rozruchu w warunkach zimowych

1. Użyj właściwego oleju dla oczekiwanej temperatury.
2. Odłącz wszystkie możliwe obciążenia zewnętrzne.
3. Używaj świeżego paliwa zimowego. Paliwo zimowe cechuje się większą lotnością, sprzyjając poprawieniu rozruchu.

Zatrzymywanie

1. Jeśli jest to możliwe, usuń obciążenie, odłączając wszystkie narzędzia napędzane przez WOM.
2. Jeśli jest na wyposażeniu, przesuń dźwignię przepustnicy do położenia pracy wolnej lub jałowej; zatrzymaj silnik.
3. Jeśli jest na wyposażeniu, zamknij zawór odcinający paliwa.

Kąt pracy

Należy również zapoznać się z instrukcjami obsługi urządzeń napędzanych za pomocą niniejszego silnika. Nie eksploatuj silnika, przekraczając maksymalny kąt pracy, patrz: tabela specyfikacji. Niewłaściwe smarowanie może spowodować uszkodzenie silnika.

Prędkość obrotowa silnika

UWAGA: Nie wolno modyfikować ustawienia regulatora w celu zwiększenia maksymalnej prędkości obrotowej silnika. Stosowanie nadobrotów jest niebezpieczne i prowadzi do unieważnienia gwarancji.

Praca na dużych wysokościach

Silnik ten może wymagać zestawu gaźnika dla dużych wysokości w celu zapewnienia prawidłowej pracy silnika na wysokości powyżej 4000 stóp (1219 metrów). Aby otrzymać informacje dotyczące zestawu dla dużych wysokości lub aby znaleźć autoryzowanego dealera firmy Kohler, patrz: strona KohlerEngines.com lub zadzwoń pod numer 1-800-544-2444 (USA i Kanada).

Silnik ten na wysokości poniżej 4000 stóp (1219 metrów) powinien być eksploatowany w jego oryginalnej konfiguracji, gdyż przy zainstalowanym zestawie gaźnika dla dużych wysokości, jego eksploatacja poniżej 4000 stóp (1219 metrów) mogłaby spowodować jego uszkodzenie.

Oblodzenie gaźnika



UWAGA: Eksploatacja silnika z pokrywą ustawioną dla pracy w warunkach zimowych może w normalnych warunkach spowodować jego uszkodzenie.

W pewnych warunkach temperatury i wilgotności może następować oblodzenie gaźnika. Wynikiem oblodzenia gaźnika jest utrudniona praca na biegu jałowym lub niskie obroty, a także czarny lub biały dym.

Aby zmniejszyć prawdopodobieństwo oblodzenia gaźnika, można obrócić pokrywę filtra powietrza, tak aby zasysał cieplejsze powietrze od strony tłumika. Przy pracy w warunkach zimowych umieść pokrywę filtra powietrza tak, aby naklejka z rysunkiem płatka śniegu była zwrócona na zewnątrz.

Przy pracy w normalnych warunkach umieść pokrywę filtra powietrza tak, aby naklejka ze słońcem była zwrócona na zewnątrz.

Instrukcje dotyczące konserwacji

	 OSTRZEŻENIE	<p>Przed rozpoczęciem pracy z silnikiem lub z urządzeniami należy zabezpieczyć silnik, postępując w następujący sposób: 1) Odłącz przewody świec zapłonowych. 2) Odłącz od akumulatora ujemny (-) przewód akumulatora.</p>
	<p>Przypadkowe uruchomienie silnika może spowodować poważne obrażenia ciała lub śmierć.</p> <p>Przed rozpoczęciem serwisowania odłącz i dokonaj uziemienia przewodów świec zapłonowych.</p>	

Normalne czynności konserwacyjne, naprawy lub wymiany systemów i urządzeń ograniczających szkodliwe wyziewy i spaliny mogą być wykonywane przez dowolne warsztaty napraw lub osoby indywidualne, jednak naprawy gwarancyjne muszą być przeprowadzane przez autoryzowanego dealera firmy Kohler, którego dane można znaleźć na stronie KohlerEngines.com lub pod telefonem: 1-800-544-2444 (USA i Kanada).

Harmonogram konserwacji

Po pierwszych 5 godzinach

- Wymieniaj olej.

Co 50 godzin lub co roku

- Serwisuj/wymieniaj filtr wstępny Quad-Clean™.

Co 100 godzin lub co roku¹

- Oczyszczyć niskoprofilowy wkład filtra powietrza.
- Wymieniaj olej.
- Oczyszczyć obszary chłodzące.
- Wymień świecę zapłonową i ustaw przerwę iskrową.

Co 200 godzin²

- Skontroluj i wyreguluj luz zaworowy, gdy silnik jest zimny.

Co 200 godzin

- Wymieniaj wkład filtra powietrza Quad-Clean™.

Co 300 godzin

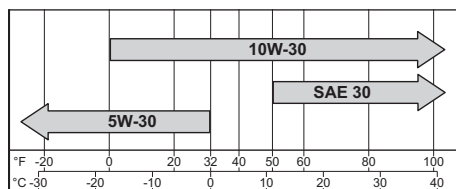
- Wymieniaj niskoprofilowy wkład filtra powietrza.
- Sprawdzaj filtry paliwa (filtry na wylocie ze zbiornika i filtr w układzie) i czyść lub wymieniaj, gdy zachodzi tego potrzeba (jeśli jest na wyposażeniu).

¹W przypadku eksploatacji w warunkach trudnych, silnego zakurzenia lub zanieczyszczenia wykonuj te czynności z większą częstotliwością.

² Wykonanie tych czynności serwisowych zleć autoryzowanemu dealerowi firmy Kohler

Zalecenia dotyczące oleju

Zalecamy stosowanie olejów firmy Kohler w celu zapewnienia najlepszej wydajności. Dopuszczalne są inne oleje z detergentami wysokiej jakości (w tym syntetyczne) produkcji firmy API (American Petroleum Institute) klasy serwisowej SJ lub wyższej. Wybierz lepkość zależnie od temperatury powietrza podczas eksploatacji silnika zgodnie z poniższą tabelą.



Kontrola poziomu oleju

UWAGA: Aby nie dopuścić do nadmiernego zużycia się silnika lub jego uszkodzenia, nigdy nie uruchamiaj silnika, gdy poziom oleju jest poniżej lub powyżej zakresu roboczego na wskaźniku prętowym.

Upewnij się, że silnik jest schłodzony. Oczyszczyć wlew oleju/wskaźnik prętowy z wszelkich zanieczyszczeń.

1. Wyjmij wskaźnik prętowy; wytrzyj olej.
2. Ponownie wsuń wskaźnik prętowy do rurki; dopchnij go do sztyki wlewu; obróć w kierunku przeciwnym do ruchu wskazówek zegara, aż kołpak opadnie do najniższego punktu gwintów; nie wkręcaj kołpaka na rękę.

- a. Wymij wskaźnik prętowy; sprawdź poziom oleju. Poziom ten powinien znajdować się w górnej części zakresu na wskaźniku prętowym.
lub
 - b. Wykręć korek wlewu oleju. Poziom oleju powinien sięgać punktu przelania z szyjki wlewu.
3. Jeśli poziom oleju jest niski, dodaj oleju, do punktu przelania z szyjki wlewu.
 4. Ponownie załóż wskaźnik prętowy lub wkręć korek wlewu oleju i solidnie go dokręć.

UWAGA: E15, E20 i E85 NIE SĄ zatwierdzone i NIE powinny być użyte; użycie starego przeterminowanego lub zanieczyszczonego paliwa może spowodować unieważnienie gwarancji.

Paliwo musi spełniać następujące wymagania:

- Czysta, świeża, bezołowiowa benzyna.
- Liczba oktanowa 87 (R+M)/2 lub wyższa.
- Badawcza liczba oktanowa (RON) musi wynosić co najmniej 90.
- Dopuszczalna jest benzyna o składzie do 10% alkoholu etylowego, 90% benzyny bezołowiowej.
- Dopuszczalne są mieszanki eteru tert-butylowo-metylowego (MTBE) i benzyny bezołowiowej (maks. 15% MTBE objętościowo).
- Do benzyny nie wolno dodawać oleju.
- Nie wolno przepelniać zbiornika paliwa.
- Nie wolno używać benzyny starszej niż 30 dni.

Wymiana oleju

Wymieniaj olej, gdy silnik jest rozgrzany.

1. Oczyszcz obszar wokół korka wlewu oleju/ wskaźnika prętowego i wokół korka spustowego.
2. Wykręć korek spustowy i korek wlewu oleju/ wskaźnik prętowy. Zlej cały olej.
3. Ponownie wkręć korek spustowy. Dokręć momentem 13 ft. lb. (17,6 N·m).
4. Wypełnij skrzynię korbową nowym olejem do punktu przelewu z szyjki wlewu.
5. Ponownie załóż i solidnie dokręć korek wlewowy/wskaźnik prętowy.
6. Usuwaj zużyty olej zgodnie z obowiązującymi przepisami.

Czujnik oleju™ (jeśli jest na wyposażeniu)

Niniejszy przełącznik ma uniemożliwić uruchomienie silnika przy niskim poziomie oleju lub przy braku oleju. Czujnik oleju™ może nie wyłączać pracy silnika, zanim nastąpi jego uszkodzenie. W niektórych zastosowaniach przełącznik ten może uruchomić sygnał ostrzegawczy. Więcej informacji znajdziesz w instrukcjach urządzeń.

Zalecenia dotyczące paliwa

	! OSTRZEŻENIE
	Wybuchowe paliwo może powodować pożary i poważne oparzenia. Nie napełniaj zbiornika paliwa, gdy silnik jest rozgrzany lub uruchomiony.
Benzyna jest bardzo łatwopalna, a w razie zapalenia jej opary mogą wybuchnąć. Benzynę należy przechowywać jedynie w zatwierdzonych pojemnikach, w dobrze wentylowanych, niezamieszkałych budynkach, z dala od wszelkich iskier i płomieni. Rozlane paliwo może zapalić się w przypadku zetknięcia z rozgrzanymi częściami lub iskrami towarzyszącymi zapłonowi. Nie wolno stosować benzyny w roli środka czyszczącego.	

Uzupełnianie paliwa

	! OSTRZEŻENIE
	Wybuchowe paliwo może powodować pożary i poważne oparzenia. Nie napełniaj zbiornika paliwa, gdy silnik jest rozgrzany lub uruchomiony.
Benzyna jest bardzo łatwopalna, a w razie zapalenia jej opary mogą wybuchnąć. Benzynę należy przechowywać jedynie w zatwierdzonych pojemnikach, w dobrze wentylowanych, niezamieszkałych budynkach, z dala od wszelkich iskier i płomieni. Rozlane paliwo może zapalić się w przypadku zetknięcia z rozgrzanymi częściami lub iskrami towarzyszącymi zapłonowi. Nie wolno stosować benzyny w roli środka czyszczącego.	

Upewnij się, że silnik jest schłodzony.

1. Oczyszcz obszar wokół korka wlewu paliwa.
2. Odkręć korek wlewu paliwa. Napełnij do podstawy szyjki wlewu. Nie wolno przepelniać zbiornika paliwa. Pozostaw miejsce na rozszerzenie się paliwa.
3. Załóż ponownie korek wlewu paliwa i solidnie go dokręć.

Przewód paliwowy


W silnikach firmy Kohler Co. z gaźnikami musi być zainstalowany przewód paliwowy o niskim współczynniku przenikania dla zapewnienia zgodności z przepisami EPA i CARB.

Zawór paliwa

Silniki są wyposażone w zawór paliwowy i wbudowany filtr na wlocie gaźnika. Kontroluje on i filtruje paliwo ze zbiornika do gaźnika. Oczyszć miskę zaworu paliwa z zanieczyszczeń.

1. Odkręć dwie nakrętki, dwie śruby i zdejmij panel pokrywy gaźnika.
2. Obróć dźwignią zaworu paliwa do położenia OFF.
3. Odkręć miskę zaworu paliwa. Zdejmij pierścień uszczelniający typu „O” i siatkę filtra.
4. Oczyszć siatkę i miskę zaworu paliwa, używając rozpuszczalnika i wytrzyj je.
5. Sprawdź siatkę i pierścień typu „O”, wymień, jeśli są uszkodzone.
6. Ponownie załóż pierścień typu „O” i miskę zaworu paliwa. Obróć dłońmi miskę zaworu paliwa do oporu. Następnie, za pomocą klucza wykonaj 1/2 do 3/4 pełnego obrotu.
7. Obróć zawór paliwa do położenia ON i sprawdź, czy nie przecieka. Jeśli zawór paliwa przecieka, powtórz kroki 5 i 6.
8. Dokręć solidnie korek wlewu paliwa.
9. Załóż ponownie panel pokrywy gaźnika, zabezpieczając ją elementem zdjętym w kroku 1.

Świece zapłonowe

	<p>PRZESTROGA</p> <p>Porażenie prądem elektrycznym może spowodować obrażenia ciała.</p> <p>Nie dotykaj przewodów, gdy silnik jest uruchomiony.</p>
---	---

Wyczyść przerwy iskrową. Wyjmij i wymień świecę.

1. Sprawdź przerwę, używając odpowiedniego szczelinomierza. Wyreguluj przerwę, patrz: tabela specyfikacji dla regulacji.
2. Wkręć świecę w głowicę cylindra.
3. Dokręć momentem 20 ft. lb. (27 N·m).

Filtr powietrza

UWAGA: Eksploatacja silnika z pokrywą ustawioną dla pracy w warunkach zimowych może w normalnych warunkach spowodować jego uszkodzenie.

UWAGA: Eksploatacja silnika z poluzowanymi lub uszkodzonymi podzespołami filtra powietrza może spowodować przedwczesne zużycie i uszkodzenie. Wymień wszystkie wygięte lub uszkodzone podzespoły.

UWAGA: Wkładu papierowego nie wolno przedmuchiwać powietrzem sprężonym.

Quad-Clean™

Przesuń w dół uchwytu na pokrywie filtra powietrza; zdejmij zatrzaski spod występów na podstawie, zdejmij pokrywę.

Filtr wstępny:

1. Zdejmij filtr wstępny z wkładu papierowego.
2. Wymień lub umyj filtr wstępny w gorącej wodzie z dodatkiem detergentu. Przepłucz i wysusz na świeżym powietrzu.
3. Lekko przesmaruj filtr wstępny za pomocą nowego oleju silnikowego; wyciśnij nadmiar oleju.
4. Ponownie zainstaluj filtr wstępny na wkładzie papierowym.

Wkład papierowy:

1. Oddziel filtr wstępny od wkładu; poddaj filtr wstępny czynnościom serwisowym i wymień wkład papierowy.
2. Załóż na podstawę nowy wkład papierowy; załóż filtr wstępny na wkład papierowy.

Umieść pokrywę filtra powietrza w pozycji normalnej pracy (nalepka z rysunkiem słońca na zewnątrz) lub w pozycji pracy w warunkach zimowych (nalepka z rysunkiem płatka śniegu na zewnątrz); umieść zatrzaski pod występami na podstawie; unieś uchwytu w celu zamocowania pokrywy.


Niskoprofilowy

1. Odkręć śrubę i zdejmij pokrywę filtra powietrza.
2. Zdejmij z podstawy wkład piankowy.
3. Umyj wkład piankowy w gorącej wodzie z dodatkiem detergentu. Przepłucz i wysusz na świeżym powietrzu.
4. Lekko przesmaruj wkład piankowy za pomocą nowego oleju silnikowego; wyciśnij nadmiar oleju.
5. Ponownie zainstaluj w podstawie wkład piankowy.
6. Ponownie zainstaluj pokrywę i zamocuj ją śrubą.

Rura odpowietznika

Upewnij się, że obie końcówki rury odpowietznika są poprawnie dołączone.

Chłodzenie powietrzem

	<p>! OSTRZEŻENIE</p> <p>Rozgrzane części mogą powodować poważne oparzenia.</p> <p>Nie dotykaj silnika, gdy jest on uruchomiony lub tuż po jego zatrzymaniu.</p>
<p>Nie wolno uruchamiać silnika, jeśli osłony ciepłone lub inne zabezpieczenia są zdemontowane.</p>	

Właściwe chłodzenie jest sprawą pierwszorzędnej wagi. Aby zapobiec przegrzaniu, oczyść filtry, żebra chłodzące i inne zewnętrzne powierzchnie silnika. Unikaj rozpryskiwania wody na okablowania wszelkich urządzeń elektrycznych. Patrz: Plan konserwacji.

Naprawy/Części serwisowe

W przypadku wszystkich prac konserwacyjnych, serwisowych i wymiany części silnika zalecamy korzystanie z usług autoryzowanego dealera firmy Kohler. W celu zlokalizowania autoryzowanego dealera firmy Kohler, odwiedź stronę KohlerEngines.com lub zadzwoń pod numer 1-800-544-2444 (USA i Kanada).

Przechowywanie

W przypadku wyłączenia silnika z eksploatacji przez co najmniej 2 miesiące postępuj zgodnie z poniższą procedurą.

1. Do zbiornika paliwa dodaj środka uzdatniającego paliwo z serii Kohler PRO lub równoważnego. Uruchom silnik na 2-3 minuty, aby ustabilizować paliwo w układzie paliwowym (awarie spowodowane przez nieuzdatnione paliwo nie są objęte gwarancją).
2. Zmień olej, dopóki silnik wciąż jest rozgrzany w wyniku pracy. Wykręć świecę(e) i wlej około 1 uncji oleju silnikowego do cylindra(ów). Wymień świecę(e) i obróć powoli silnikiem w celu rozprowadzenia oleju.
3. Odłącz ujemny (-) przewód akumulatora.
4. Przechowuj silnik w czystym, suchym czystym miejscu.

PL

Wykrywanie i usuwanie usterek

Nie wolno podejmować prób własnoręcznego serwisowania lub wymiany głównych podzespołów silnika lub jakichkolwiek elementów, które wymagają stosowania specjalnych procedur synchronizacji lub regulacji. Prace tego typu muszą być wykonywane przez autoryzowanego dealera firmy Kohler.

Problem	Możliwa przyczyna							
	Brak paliwa	Niewłaściwe paliwo	Zanieczyszczony przewód paliwowy	Zanieczyszczona osłona gruzowa	Nieprawidłowy poziom oleju	Silnik przeciążony	Zanieczyszczony filtr powietrza	Wadliwa świeca zapłonowa
Silnik nie uruchamia się	•	•	•		•	•	•	•
Trudności w uruchomieniu silnika		•	•		•	•	•	•
Nagle zatrzymanie się silnika	•		•	•	•	•	•	•
Brak zasilania		•	•	•	•	•	•	•
Silnik pracuje nierówno		•	•	•		•	•	•
Stukanie		•		•		•		•
Przeskoki lub przerwy zapłonu		•	•	•			•	•
Strzały do gaźnika		•	•			•	•	•
Przegrzewanie		•	•	•	•		•	
Wysokie zużycie paliwa						•	•	•

Specyfikacje silnika

Model	Średnica cylindra	Skok	Pojemność skokowa	Pojemność zbiornika oleju (napełnić)	Przerwa iskrowa świecy zapłonowej	Maksymalny kąt pracy (przy pełnym poziomie oleju)*
CH260	2,8 cala (70 mm)	2,1 cala (54 mm)	12,7 cala (208 cm ³)	0,63 U.S. qt. (0,60 l)	0,03 cala (0,76 mm)	25°
CH270						
CH395	3,1 cala (78 mm)	2,3 cala (58 mm)	16,9 cala (277 cm ³)	1,16 U.S. qt. (1,1 l)		
CH440	3,5 cala (89 mm)	2,7 cala (69 mm)	24,7 cala. (429 cm ³)			

*Przekroczenie maksymalnego kąta pracy może stać się przyczyną poważnego uszkodzenia silnika z powodu niewystarczającego smarowania.

Bardziej szczegółowe specyfikacje znaleźć można w instrukcji serwisowej na stronie KohlerEngines.com.

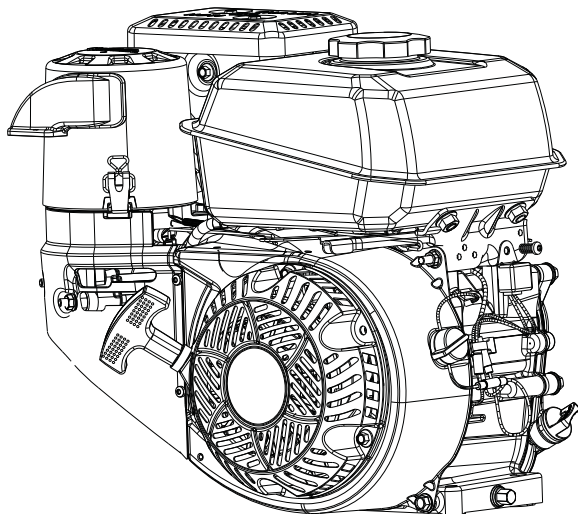
Systemem Ograniczana Emisji Szkodliwych Spalin obowiązującym dla modeli CH260, CH270, CH395, CH440 jest EM dla Amerykańskiej Agencji Ochrony Środowiska, Kalifornii i Europy.

Jakiegokolwiek i wszystkie powoływania się na moc (KM) przez firmę Kohler są certyfikowanymi ocenami mocy zgodnymi z normami mocy SAE J1940 i J1995. Szczegóły dotyczące certyfikowanych ocen mocy można znaleźć na stronie KohlerEngines.com.

KOHLER® Command PRO®

CH260, CH270, CH395, CH440

Manual do Proprietário



PT

IMPORTANTE: Antes de utilizar o equipamento, leia todas as instruções e precauções de segurança. Consulte as instruções de funcionamento do equipamento que este motor alimenta.

Antes de executar qualquer tarefa de manutenção ou assistência, certifique-se de que o motor está parado e nivelado.

A cobertura da garantia encontra-se definida no cartão da garantia e em KohlerEngines.com. Reveja-a atentamente uma vez que contém informações sobre os seus direitos e obrigações específicos.

Quando encomendar peças ou para obter cobertura da garantia, registre as informações do motor para referência.

Modelo do Motor _____

Especificação _____

Número de Série _____


Data de Compra _____

Precauções de Segurança


⚠️ ADVERTÊNCIA: Um perigo que pode resultar em morte, ferimentos graves ou danos materiais substanciais.

⚠️ AVISO: Um perigo que pode resultar em ferimentos pessoais ligeiros ou danos materiais.

NOTA: utiliza-se para avisar as pessoas sobre informações importantes acerca da instalação, funcionamento ou manutenção.

	<p>⚠️ ADVERTÊNCIA</p> <p>O Combustível Explosivo pode causar incêndios e queimaduras graves.</p> <p>Não encha o depósito de combustível enquanto o motor estiver quente ou a trabalhar.</p>
--	--

A gasolina é extremamente inflamável e os vapores podem explodir se forem inflamados. Guarde a gasolina apenas em contentores aprovados, em edifícios bem ventilados e desocupados, longe de faíscas ou de chamas. O combustível derramado pode incendiar-se se entrar em contacto com peças quentes ou faíscas da ignição. Nunca utilize gasolina como agente de limpeza.

	<p>⚠️ ADVERTÊNCIA</p> <p>O Monóxido de Carbono pode causar náuseas graves, desmaio ou a morte.</p> <p>Evite inalar os gases de escape.</p>
---	---

Os gases de escape do motor contêm monóxido de carbono venenoso. O monóxido de carbono é inodoro, incolor e, se inalado, pode causar morte.

	<p>⚠️ ADVERTÊNCIA</p> <p>Os Arranques acidentais podem causar ferimentos graves ou morte.</p> <p>Antes de qualquer tarefa desligue e ligue à terra o(s) cabo(s) da vela de ignição.</p>
---	--

Antes de trabalhar no motor ou no equipamento, desactive o motor conforme se segue: 1) Desligue o(s) cabo(s) da vela de ignição. 2) Desligue o cabo negativo (-) da bateria da bateria.

	<p>⚠️ ADVERTÊNCIA</p> <p>As Peças Rotativas podem causar ferimentos graves.</p> <p>Afaste-se quando o motor estiver a funcionar.</p>
---	---

Para evitar ferimentos, mantenha as mãos, os pés, o cabelo e o vestuário longe de quaisquer peças rotativas. Nunca ligue o motor sem as tampas, as blindagens ou as protecções.

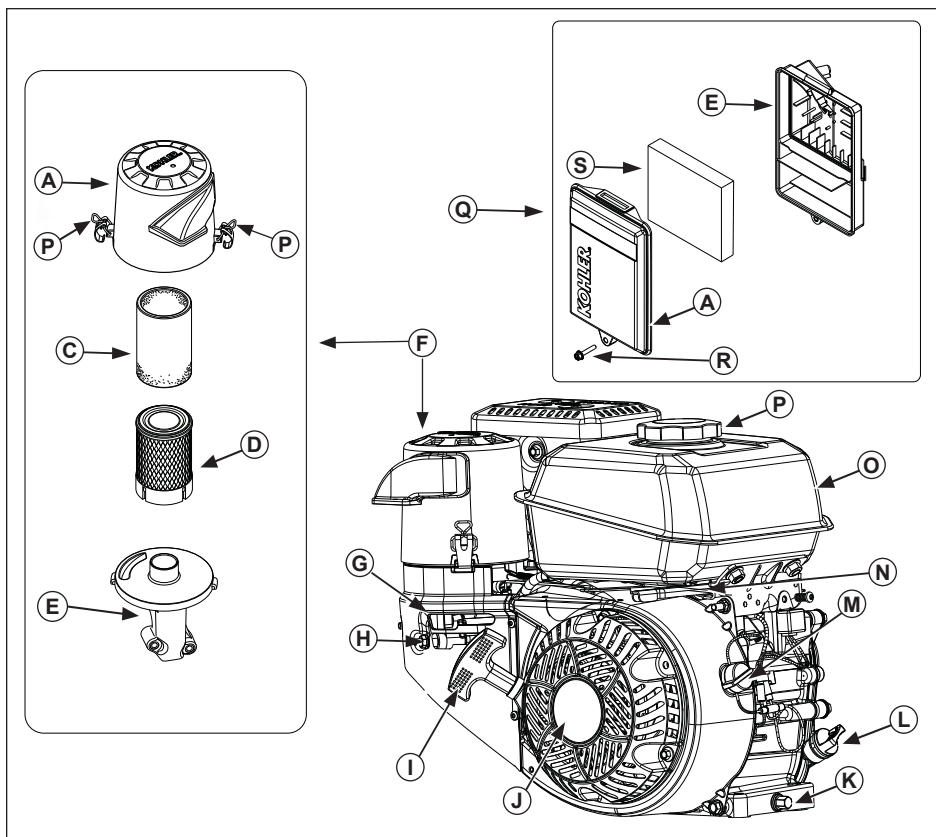
	<p>⚠️ AVISO</p> <p>O Choque Eléctrico pode causar ferimentos.</p> <p>Não toque nos fios enquanto o motor estiver a trabalhar.</p>
--	--

	<p>⚠️ ADVERTÊNCIA</p> <p>As Peças Quentes podem causar queimaduras graves.</p> <p>Não toque no motor enquanto este estiver a trabalhar ou imediatamente após parar.</p>
---	--

Nunca ligue o motor sem as blindagens térmicas ou as protecções.

Advertência da Proposta 65 da Califórnia

Os gases de escape do motor deste produto contêm substâncias químicas conhecidas no Estado da Califórnia como sendo causadoras de cancro, defeitos congénitos ou outros danos reprodutivos.



PT

A	Tampa do Filtro do Ar	P	Correia	C	Pré-filtro	D	Elemento de Papel
E	Base do Filtro de Ar	F	Filtro de Ar _{Quad-Clean}	G	Alavanca do Obturador de Ar	H	Corte do Combustível
I	Pega do Motor de Arranque	J	Motor de Arranque Retrátil	K	Bujão de Drenagem do Óleo	L	Vareta/Bujão de Enchimento do Óleo
M	Interruptor de Ligar/Desligar (se equipado)	N	Alavanca do Obturador	O	Depósito de Combustível	P	Tampa do Combustível
Q	Filtro de Ar Simples	R	Parafuso	S	Elemento de Espuma		

Listagem de Verificação Antes do Arranque

1. Verificar o nível do óleo. Adicione óleo se o nível estiver baixo. Não encha demasiado.
2. Verifique o nível de combustível. Adicione combustível se o nível estiver baixo. Inspeccione os componentes e as linhas do sistema relativamente a fugas.
3. Verifique e limpe as áreas de refrigeração, as áreas de admissão de ar e as superfícies externas do motor (particularmente após o armazenamento).
4. Verifique se os componentes do filtro de ar e todos os resguardos, tampas e proteções do equipamento estão no lugar e firmemente apertados.
5. Verifique o extintor de faísca (se equipado).

Arranque



ADVERTÊNCIA

O Monóxido de Carbono pode causar náuseas graves, desmaio ou a morte.

Evite inalar os gases de escape.

Os gases de escape do motor contêm monóxido de carbono venenoso. O monóxido de carbono é inodoro, incolor e, se inalado, pode causar morte.



ADVERTÊNCIA

As Peças Rotativas podem causar ferimentos graves.

Afaste-se quando o motor estiver a funcionar.

Para evitar ferimentos, mantenha as mãos, os pés, o cabelo e o vestuário longe de quaisquer peças móveis. Nunca ligue o motor sem as tampas, as blindagens ou as protecções.

NOTA: A posição do obturador para iniciar o motor pode variar, dependendo da temperatura e de outros factores. Quando o motor estiver a trabalhar e já estiver quente, rode o obturador de ar para a posição "OFF".

NOTA: Aumente periodicamente o cabo do motor de arranque para verificar o seu estado. Se o cabo estiver gasto, peça imediatamente a sua substituição a um revendedor autorizado Kohler.

NOTA: Não arranque o motor continuamente durante mais de 10 segundos. Entre cada tentativa de arranque deixe arrefecer durante 60 segundos. O incumprimento destas directrizes pode queimar o motor do motor de arranque.

NOTA: Se o motor desenvolver velocidade suficiente para desengatar o arranador, mas não continuar a trabalhar (um arranque falso), é necessário que as rotações do motor parem totalmente antes de tentar ligar novamente o motor. Se o motor de arranque engatar enquanto o volante do motor estiver a rodar, o pinhão de arranque e a coroa dentada do volante do motor podem colidir e danificar o motor de arranque.

1. Coloque a válvula de corte do combustível na posição "ON" (ligado) (se equipada).
2. Coloque o interruptor de ligar/desligar na posição "ON" (ligado) (se equipado).
3. Inicie o motor do seguinte modo:

Motor Frio: Coloque o obturador de ar a meio, entre as posições "SLOW" (lento) e "FAST" (rápido). Coloque o controlo da borboleta de ar na posição "ON" (ligado).

Motor quente: Coloque o obturador de ar a meio, entre as posições "SLOW" (lento) e "FAST" (rápido). Coloque novamente o obturador de ar na posição "OFF" (desligado) logo que o motor arranque. Geralmente, um motor quente não requer o obturador de ar activo.

4. **Arranque Retráctil:** Lentamente, puxe a pega do motor de arranque até passar a compressão - STOP! Coloque a pega do motor de arranque na posição inicial; puxando a pega para fora para evitar desgaste excessivo da corda a partir do guia da corda do motor de arranque.

Arranque Eléctrico: tactive o interruptor de arranque. Liberte o interruptor logo que o motor arranque. Se o motor de arranque não rodar o motor, desligue imediatamente o motor de arranque. Não faça mais tentativas de arrancar o motor sem ter corrigido o problema. Não tente um arranque directo. Consulte o seu revendedor autorizado Kohler para análise de problemas.

5. Gradualmente coloque de novo o controlo do obturador de ar na posição "OFF" (desligado) depois do motor arrancar e aquecer. O motor/equipamento pode funcionar durante o período de aquecimento, mas pode ser necessário deixar o obturador de ar parcialmente ligado até que o motor aqueça.

Sugestões de Arranque em Tempo Frio

1. Use óleo adequado para a temperatura prevista.
2. Desengate todas as cargas externas possíveis.
3. Utilize combustível novo no Inverno. O combustível de Inverno tem uma maior volatilidade para melhorar o arranque.

Parar

1. Se possível, retire a carga desengatando todas as ligações accionadas por tomadas de força.
2. Se equipado, desloque o obturador de ar para a posição lenta ou ao ralenti; pare o motor.
3. Se equipada, feche a válvula de fecho do combustível.

Ângulo de Funcionamento

Consulte as instruções de funcionamento do equipamento que este motor alimenta. Não utilize este motor com um ângulo superior ao ângulo de funcionamento máximo; consulte a tabela de especificações. A lubrificação insuficiente pode resultar em danos no motor.

Velocidade do Motor

NOTA: Não altere o ajuste do regulador para aumentar a velocidade máxima do motor. O excesso de velocidade é perigoso e invalidará a garantia.

Funcionamento a Alta Altitude

Este motor pode requerer um kit de alta altitude para garantir o funcionamento correcto do motor a altitudes acima de 1219 metros (4000 ft.). Para obter informações sobre um kit de alta altitude ou encontrar um revendedor autorizado, consulte KohlerEngines.com ou ligue para 1-800-544-2444 (E.U.A. e Canadá).

Este motor deve funcionar com a sua configuração original abaixo de 1219 metros (4000 ft.), uma vez que podem ocorrer danos se se instalar um kit de alta altitude e utilizar abaixo de 1219 metros (4000 ft.).

Formação de Gelo no Carburador


NOTA: Utilizar o motor com a tampa colocada para funcionamento em tempo frio em condições normais pode danificar o motor.

A formação de gelo no carburador pode ocorrer quando existem algumas combinações de humidade e de temperatura. O resultado da formação de gelo no carburador é um funcionamento irregular ao ralenti ou a baixas velocidades bem como fumo preto ou branco.

Para reduzir a probabilidade de formação de gelo no carburador, pode rodar-se a tampa do filtro de ar para retirar ar mais quente do lado do silenciador. Para funcionamento em tempo frio, coloque a tampa do filtro do ar com o autocolante com um floco de neve virado para fora.

Para funcionamento normal, coloque a tampa do filtro do ar com o autocolante com um sol virado para fora.

Instruções de Manutenção

	⚠ ADVERTÊNCIA	Antes de trabalhar no motor ou no equipamento, desactive o motor conforme se segue: 1) Desligue o(s) cabo(s) da vela de ignição. 2) Desligue o cabo negativo (-) da bateria da bateria.
	Os Arranques acidentais podem causar ferimentos graves ou morte. Antes de qualquer tarefa desligue e ligue à terra o(s) cabo(s) da vela de ignição.	

PT

A manutenção, substituição ou reparação normal de dispositivos e sistemas de controlo de emissões poderá ser efectuada por qualquer indivíduo ou estabelecimento de reparação; no entanto, as reparações abrangidas pela garantia devem ser realizadas por um representante autorizado Kohler que poderá encontrar em KohlerEngines.com ou ligando para 1-800-544-2444 (E.U.A. e Canadá).

Plano de Manutenção

Após as primeiras 5 Horas

- Mude o óleo.

Anualmente ou a Cada 50 Horas

- Limpe ou substitua o pré-filtro Quad-Clean™.

Anualmente ou a Cada 100 Horas¹

- Limpe o elemento do filtro de ar simples.
- Mude o óleo.
- Limpe as áreas de refrigeração.
- Substitua a vela de ignição e defina a folga.

A cada 200 Horas²

- Verifique e ajuste a folga da válvula quando o motor estiver frio.

A cada 200 Horas

- Substitua o elemento do filtro de ar Quad-Clean™.

A cada 300 Horas

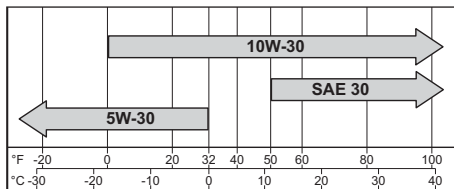
- Substitua o elemento do filtro de ar simples.
- Verifique os filtros de combustível (filtro de saída do depósito e filtro em linha) e limpar ou substituir, se necessário (se equipado).

¹ Execute estes procedimentos com mais frequência em condições extremas de poeira e sujidade.

² Para executar este serviço, recorra a um revendedor autorizado Kohler.

Recomendações de Óleo

Para um melhor desempenho, recomendamos a utilização de óleos Kohler. Outros óleos detergentes (incluindo sintéticos) de alta qualidade da classe de serviço SJ ou superior do IAP (Instituto Americano do Petróleo) também são aceitáveis. Selecione a viscosidade baseando-se na temperatura do ar na altura do funcionamento, conforme mostrado na tabela abaixo.



Verificar o Nível do Óleo

NOTA: para evitar o desgaste excessivo do motor, nunca utilize o motor com o nível do óleo abaixo ou acima do intervalo operacional da vareta do óleo.

Certifique-se de que o motor está frio. Limpe quaisquer resíduos das áreas do enchimento/da vareta do óleo.

1. Retire a vareta do óleo; limpe o óleo.
2. Volte a colocar a vareta do óleo no tubo de enchimento do óleo; assente no gargalo de enchimento do óleo; rode-a para a direita até que a tampa de enchimento do óleo caia no ponto mais baixo dos tubos; não rosque a tampa no tubo.
 - a. Retire a vareta do óleo; verifique o nível do óleo. O nível deverá estar na parte superior do indicador na vareta do óleo.
ou
 - b. Retire a tampa de enchimento do óleo. O nível deverá estar no ponto de sobrefluxo do gargalo de enchimento.
3. Se o óleo estiver baixo, adicione óleo até ao ponto de sobrefluxo do gargalo de enchimento.
4. Reinstale a tampa de enchimento ou a vareta do óleo e aperte-a firmemente.

Mudar o Óleo

Mude o óleo quando o motor estiver quente.

1. Limpe a área à volta da tampa de enchimento/vareta do óleo e do bujão de drenagem.
2. Retire o bujão de drenagem do óleo e a tampa de enchimento/vareta do óleo. Drene totalmente o óleo.
3. Instale novamente o bujão de drenagem. Aperte até 17.6 N·m (13 ft. lb.).

4. Encha o cárter com óleo novo, até ao ponto de sobrefluxo do gargalo de enchimento.
5. Volte a instalar a tampa de enchimento do óleo/a vareta e aperte firmemente.
6. Elimine o óleo usado de acordo com os regulamentos locais.

Oil Sentry™ (se equipado)

Este interruptor foi concebido para impedir que o motor arranque com o nível do óleo baixo ou sem óleo. O Oil Sentry™ poderá não desligar um motor em funcionamento antes de surgirem danos. Em algumas aplicações, este interruptor pode activar um sinal de aviso. Para mais informações leia os manuais do seu equipamento.

Recomendações sobre Combustível


	⚠ ADVERTÊNCIA
	<p>O Combustível Explosivo pode causar incêndios e queimaduras graves.</p> <p>Não encha o depósito de combustível enquanto o motor estiver quente ou a trabalhar.</p>
<p>A gasolina é extremamente inflamável e os vapores podem explodir se forem inflamados. Guarde a gasolina apenas em contentores aprovados, em edifícios bem ventilados e desocupados, longe de fâscas ou de chamas. O combustível derramado pode incendiar-se se entrar em contacto com peças quentes ou fâscas da ignição. Nunca utilize gasolina como agente de limpeza.</p>	

NOTA: E15, E20 e E85 NÃO estão aprovados e NÃO devem utilizar-se; os efeitos de combustível antigo, velho ou contaminado não estão dentro da garantia.

O combustível tem de cumprir estes requisitos:

- gasolina limpa, nova, sem chumbo;
- classificação de octana de 87 (R+M)/2 ou superior;
- Research Octane Number (RON) 90 octanas no mínimo;
- a gasolina até 10% de álcool etílico, 90% sem chumbo é aceitável;
- estão aprovadas as misturas de Éter Metil-t-butílico (EMTB) e de gasolina sem chumbo (até um máximo de 15% de EMTB por volume);
- não acrescente óleo à gasolina;
- não encha demasiado o depósito de combustível;
- não use gasolina com mais de 30 dias;

Adicionar Combustível

	⚠️ ADVERTÊNCIA
	<p>O Combustível Explosivo pode causar incêndios e queimaduras graves.</p> <p>Não encha o depósito de combustível enquanto o motor estiver quente ou a trabalhar.</p>
<p>A gasolina é extremamente inflamável e os vapores podem explodir se forem inflamados. Guarde a gasolina apenas em contentores aprovados, em edifícios bem ventilados e desocupados, longe de faíscas ou de chamas. O combustível derramado pode incendiar-se se entrar em contacto com peças quentes ou faíscas da ignição. Nunca utilize gasolina como agente de limpeza.</p>	

Certifique-se de que o motor está frio.

1. Limpe a área à volta da tampa do combustível.
2. Retire a tampa do combustível. Encha até à base do gargalo de enchimento. Não encha demasiado o depósito de combustível. Deixe espaço para que o combustível possa expandir-se.
3. Coloque novamente a tampa do combustível e aperte firmemente.

Linha de Combustível

Tem de instalar-se a linha de combustível de baixa permeação em motores Kohler Co. com carburador para manter a conformidade regulamentar EPA e CARB.


Válvula de Combustível

Os motores estão equipados com uma válvula de combustível e um filtro de cortina integral localizado na entrada do carburador. Controla e filtra o fluxo de combustível do depósito para o carburador. Limpe os resíduos da tampa da válvula de combustível.

1. Retire as duas porcas, os dois parafusos e o painel da tampa do carburador.
2. Coloque a alavanca da válvula do combustível na posição "OFF" (desligado).
3. Retire a tampa da válvula de combustível. Retire o O-ring e o filtro de cortina.
4. Limpe o filtro de cortina e a tampa da válvula de combustível com solvente e retire-o.
5. Verifique o filtro de cortina e o O-ring, substitua-o se estiver danificado.
6. Coloque novamente o O-ring seguido da tampa da válvula de combustível. Rode a tampa da válvula de combustível até apertar bem à mão. Rode com uma chave de parafuso 1/2 até 3/4 volta completa.

7. Rode a válvula de combustível para a posição "ON" (ligado) e verifique se existem fugas. Se a tampa da válvula de combustível tiver uma fuga, repita os passos 5 e 6.
8. Aperte firmemente a tampa do combustível.
9. Instale novamente o painel da tampa do carburador fixando ao hardware retirado no passo 1.

Velas de Ignição

	⚠️ AVISO
	<p>O Choque Eléctrico pode causar ferimentos.</p> <p>Não toque nos fios enquanto o motor estiver a trabalhar.</p>

Limpe o recesso da vela de ignição. Retire o bujão e substitua-o.

1. Verifique a folga utilizando um apalpa-folgas. Ajuste a folga e, relativamente ao ajuste, consulte a tabela de especificações.
2. Coloque o bujão na cabeça do cilindro.
3. Aperte o bujão até 27 N·m (20 ft. lb.).

PT

Filtro de Ar

NOTA: Utilizar o motor com a tampa colocada para funcionamento em tempo frio em condições normais pode danificar o motor.

NOTA: Utilizar o motor com componentes do filtro soltos ou danificados pode causar desgaste e falha prematuros. Substitua todos os componentes dobrados ou danificados.

NOTA: Não pode utilizar-se ar comprimido para soprar o elemento de papel.

Quad-Clean™

Desloque para baixo as correias da tampa do filtro de ar; retire os trincos debaixo das patilhas da base do filtro de ar; retire a tampa.

Pré-filtro:

1. Retire o pré-filtro do elemento de papel.
2. Substitua ou lave o pré-filtro em água quente com detergente. Enxagúe e deixe secar ao ar.
3. Lubrifique ligeiramente o pré-filtro com óleo de motor novo; esprema o excesso de óleo.
4. Coloque novamente o pré-filtro sobre o elemento de papel.

Elemento de Papel:

1. Separe o pré-filtro do elemento; preste assistência ao pré-filtro e substitua o elemento de papel.
2. Instale o elemento de papel novo na base; instale o pré-filtro sobre o elemento de papel.

Coloque a tampa do filtro de ar para funcionamento normal (autocolante com o sol virado para fora) ou para funcionamento em tempo frio (autocolante com floco de neve virado para fora); coloque os trincos por baixo das patilhas; eleve as correias para fixar a tampa.


Simplex

1. Retire o parafuso e a tampa do filtro de ar.
2. Retire o elemento de espuma da base.
3. Lave o elemento de espuma em água quente com detergente. Enxágue e deixe secar ao ar.
4. Lubrifique ligeiramente o elemento de espuma com óleo de motor novo; esprema o excesso de óleo.
5. Instale novamente o elemento de espuma na base.
6. Instale novamente a tampa e fixe com o parafuso.

Tube Respirador

Certifique-se de que ambas as extremidades do tubo do respiro estão ligadas correctamente.

Refrigeração de Ar

	<p>⚠ ADVERTÊNCIA</p> <p>As Peças Quentes podem causar queimaduras graves.</p> <p>Não toque no motor enquanto este estiver a trabalhar ou imediatamente após parar.</p>
<p>Nunca ligue o motor sem as blindagens térmicas ou as protecções.</p>	

O arrefecimento adequado é essencial. Para evitar sobreaquecimento, limpe os filtros de cortina, as barbatanas de arrefecimento e outras superfícies externas do motor. Evite pulverizar com água a cablagem eléctrica ou quaisquer componentes eléctricos. Consulte o Plano de Manutenção.

Reparações/Peças de Reparação

Recomendamos que recorra a um revendedor autorizado Kohler para efeitos de manutenção, assistência e substituição de peças do motor. Pode procurar um revendedor autorizado Kohler em KohlerEngines.com ou ligar para 1-800-544-2444 (E.U.A. e Canadá).

Armazenamento

Se o motor ficar fora de serviço durante 2 meses ou mais, siga o procedimento abaixo.

1. Adicione tratamento de combustível Série PRO Kohler ou equivalente ao depósito de combustível. Coloque o motor a trabalhar durante 2-3 minutos para estabilizar o combustível no sistema de combustível (as falhas devidas a combustível não tratado não estão cobertas pela garantia).
2. Mude o óleo enquanto o motor ainda estiver quente. Retire a(s) vela(s) de ignição e deite cerca de 1 onça de óleo de motor no(s) cilindro(s). Substitua a(s) vela(s) de ignição e arranque o motor lentamente para distribuir o óleo.
3. Desligue o cabo negativo (-) da bateria.
4. Guarde o motor num local limpo e seco.

Resolução de Problemas

Não tente reparar ou substituir componentes principais do motor, ou quaisquer itens que requeiram um timing especial ou procedimentos de ajuste. Este trabalho deve ser realizado por um revendedor autorizado Kohler.

Problema	Causa Possível							
	Sem Com- bustível	Combustível Inade- quado	Sujidade na Linha de Com- bustível	Rede de Resídu- os Suja	Nível de Óleo Incorrecto	Motor Sobre- carre- gado	Filtro de Ar Sujo	Vela de Ignição com Falha
Não Arranca	•	•	•		•	•	•	•
Arranque Difícil		•	•		•	•	•	•
Pára de Repente	•		•	•	•	•	•	•
Falta de Energia		•	•	•	•	•	•	•
Funciona Erraticamente		•	•	•		•	•	•
Faz Ruído ou Detona		•		•		•		•
Avanços ou Falhas de Detonação do Motor		•	•	•			•	•
Efeitos de Retorno		•	•			•	•	•
Sobreaquecimentos		•	•	•	•	•	•	
Alto Consumo de Combustível						•	•	•

PT

Especificações do Motor

Modelo	Orifício	Curso	Deslocação	Capacidade do Óleo (Reabastecimento)	Folga da Vela de Ignição	Ângulo de Funcionamento Máximo (com o nível do óleo no máximo)*
CH260	2,8 pol. (70 mm)	2,1 pol. (54 mm)	12,7 pol. (208 cc)	0,63 E.U.A. qt. (0,60 L)	0,03 pol. (0,76 mm)	25°
CH270						
CH395	3,1 pol. (78 mm)	2,3 pol. (58 mm)	16,9 pol. (277 cc)	1,16 E.U.A. qt. (1,1 L)		
CH440	3,5 pol. (89 mm)	2,7 pol. (69 mm)	24,7 pol. (429 cc)			

*Ultrapassar o ângulo de funcionamento máximo pode causar danos no motor devido a lubrificação insuficiente.

Pode encontrar informações adicionais sobre especificações no manual de assistência técnica, em KohlerEngines.com.

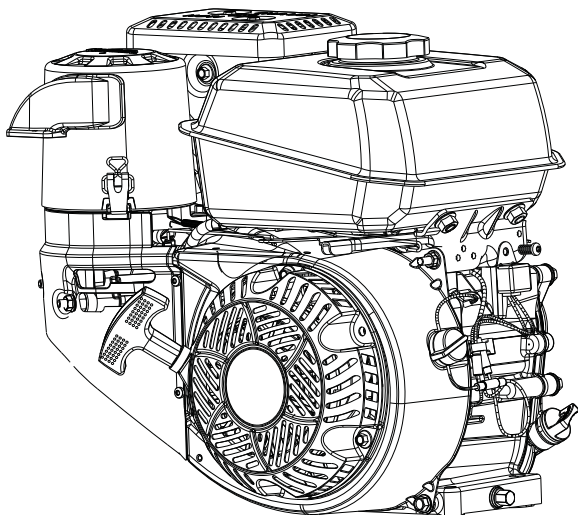
O Sistema de Controlo de Emissões de Escape para modelos CH260, CH270, CH395, CH440 é EM para a EPA dos E.U.A., Califórnia e Europa.

Quaisquer referências à potência do motor (hp) pela Kohler são Classificações de Potência Certificadas e pelas normas de hp SAE J1940 e J1995. Em KohlerEngines.com pode encontrar pormenores sobre Classificações de Potência Certificadas.

KOHLER® Command PRO®

CH260, CH270, CH395, CH440

Manualul proprietarului



IMPORTANT: Citiți cu atenție toate măsurile și instrucțiunile pentru siguranță înainte de exploatarea echipamentului. Consultați instrucțiunile de utilizare a echipamentului acționat cu acest motor.

Verificați dacă motorul este oprit și așezat la nivel înainte de a realiza orice lucrări de întreținere sau service.

Acoperirea pe care o asigură garanția este cea specificată pe cardul de garanție și la adresa KohlerEngines.com. Vă rugăm să citiți cu atenție aceste informații, deoarece vă asigură conferă anumite drepturi și obligații.

Înregistrați informațiile referitoare la motor pentru a le menționa atunci când comandați piese sau vi se efectuează lucrări în garanție.

Modelul motorului _____

Specificație _____

Număr de serie _____

Data achiziționării _____

Indicații de siguranță




⚠️ AVERTISMENT: Un pericol care poate avea ca rezultat decesul, rănirea gravă sau avarierea substanțială a bunurilor.

⚠️ ATENȚIE: Un pericol care poate avea ca rezultat rănirea minoră a persoanelor sau avarierea bunurilor.

OBSERVAȚIE: se folosește pentru a aduce la cunoștința persoanelor informații importante referitoare la montaj, exploatare sau întreținere.

	<p>⚠️ AVERTISMENT</p> <p>Combustibilul explozibil poate provoca incendii și arsuri grave.</p> <p>Nu alimentați rezervorul cu combustibil în timp ce motorul este fierbinte sau în funcționare.</p>
<p>Benzina este extrem de inflamabilă. Vaporii de benzină aprinși pot produce explozii. Păstrați benzina doar în recipiente aprobate, în clădiri bine aerisite, nelocuite, ferite de scântei sau flăcări. Combustibilul vărsat se poate aprinde dacă intră în contact cu piesele fierbinți sau cu scântei de la aprindere. Nu utilizați niciodată benzina drept agent de curățare.</p>	

	<p>⚠️ AVERTISMENT</p> <p>Monoxidul de carbon poate provoca stare de vomă, pierderea cunoștinței sau decesul.</p> <p>Evitați inhalarea gazelor de eșapament.</p>
<p>Gazele de eșapament conțin monoxid de carbon toxic. Monoxidul de carbon este inodor, incolor și poate duce la deces în cazul în care este inhalat.</p>	

  	<p>⚠️ AVERTISMENT</p> <p>Pornirea accidentală poate duce la vătămări corporale grave sau la deces.</p> <p>Decuplați și legați la pământ cablul bujei înainte de efectuarea lucrărilor de service.</p>
<p>Înainte de a efectua lucrări asupra motorului sau a echipamentului, dezactivați motorul: 1) Decuplați cablurile bujiilor. 2) Decuplați cablul negativ (-) al acumulatorului.</p>	

RO

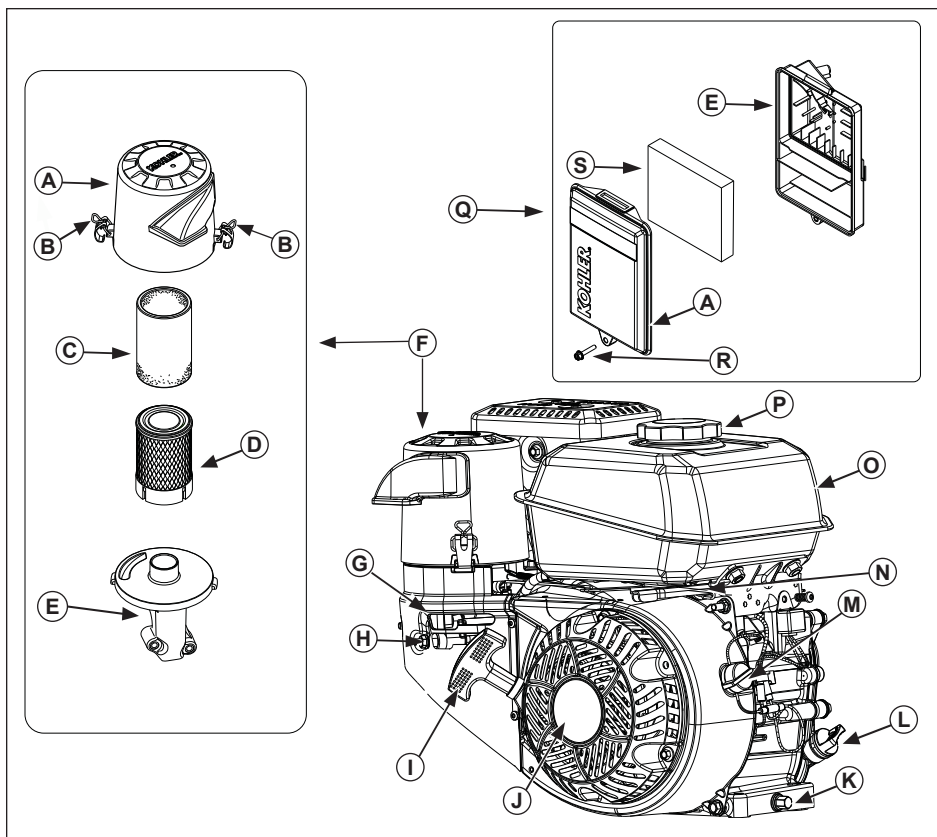
	<p>⚠️ AVERTISMENT</p> <p>Componentele rotitoare pot provoca vătămări grave.</p> <p>Stați deoparte cât timp motorul este în funcțiune.</p>
<p>Pentru a preveni accidentarea, feriți mâinile, picioarele, părul și hainele de piesele mobile. Nu utilizați niciodată motorul fără capace, învelitori sau apărători.</p>	

	<p>⚠️ ATENȚIE</p> <p>Electrocutarea poate provoca vătămări.</p> <p>Nu atingeți cablurile în timpul funcționării motorului.</p>
--	---

	<p>⚠️ AVERTISMENT</p> <p>Componentele fierbinți pot provoca arsuri grave.</p> <p>Nu atingeți motorul în timpul funcționării sau imediat după oprire.</p>
<p>Nu utilizați niciodată motorul fără ecrane termice sau apărători.</p>	

Avertisment privind Propunerea California 65

Gazele de eșapament ale acestui produs conțin substanțe chimice cunoscute în statul California ca factori ce determină apariția cancerului, a malformațiilor și altor afecțiuni congenitale.



A	Capacul filtrului de aer	B	Colier	C	Prefiltru	D	Elementul din hârtie
E	Baza filtrului de aer	F	Filtrul de aer Quad-Clean™	G	Maneta de șoc	H	Valva de închidere a combustibilului
I	Mâner de pornire	J	Pornire cu recul	K	Dop de scurgere a uleiului	L	Joja/Bușonul de ulei
M	Comutator de pornire/oprire (dacă este montat)	N	Maneta de admisie	O	Rezervorul de combustibil	P	Bușon
Q	Filtru de aer low-profile	R	Șurub	S	Elementul din spumă		

De făcut înainte de pornire

1. Verificați nivelul uleiului. Dacă nivelul acestuia este prea scăzut, adăugați ulei. Nu adăugați peste capacitate.
2. Verificați nivelul combustibilului. Dacă nivelul este prea scăzut, alimentați cu combustibil. Verificați dacă prezintă scurgeri componentele sistemului de alimentare cu combustibil și conductele.
3. Verificați zonele de răcire, prizele de aer și suprafețele exterioare ale motorului (în special după depozitare).
4. Asigurați-vă că toate componentele filtrului de aer, precum și toate învelișurile, capacele și apărătoarele sunt corect montate și fixate.
5. Verificați apărătoarea de scânteie (dacă este montată).

Pornirea

	 AVERTISMENT
	Monoxidul de carbon poate provoca stare de vomă, pierderea cunoștinței sau decesul. Evitați inhalarea gazelor de eșapament.
Gazele de eșapament conțin monoxid de carbon toxic. Monoxidul de carbon este inodor, incolor și poate duce la deces în cazul în care este inhalat.	

	 AVERTISMENT
	Componentele rotitoare pot provoca vătămări grave. Stați deoparte cât timp motorul este în funcțiune.
Pentru a preveni accidentarea, feriți mâinile, picioarele, părul și hainele de componentele mobile. Nu utilizați niciodată motorul fără capace, învelitori sau apărători.	

OBSERVAȚIE: Poziția șocului la pornire poate varia în funcție de temperatură și de alți factori. Imediat ce motorul a pornit și s-a încălzit, readuceți starterul în poziția „OPRIT”.

OBSERVAȚIE: Desfășurați periodic firul de pornire pentru a-i verifica starea. Dacă firul este uzat, înlocuiți-l imediat la un distribuitor autorizat Kohler.

OBSERVAȚIE: Încercarea de pornire a motorului nu trebuie să dureze mai mult de 10 secunde. Lăsați motorul să se răcească timp de 60 de secunde înainte de a încerca din nou. Nerespectarea acestor indicații poate duce la arderea motorului demaror.

OBSERVAȚIE: Dacă motorul atinge turația necesară decuplării motorului demaror, dar se oprește (rateu), așteptați ca mișcarea de rotație a motorului să înceteze complet înainte de a încerca din nou să-l porniți. Dacă motorul demaror este pus în funcțiune în timp ce volantul se rotește, pinionul demarorului și coroana dințată a volantului se pot lovi, ducând la deteriorarea demarorului.

1. Puneți valva de închidere a combustibilului în poziția ON (dacă s-a prevăzut).
2. Răsuciți comutatorul de pornire/oprire în poziția ON (dacă s-a prevăzut).
3. Porniți motorul conform instrucțiunilor de mai jos:

Motor rece: Aduceți maneta de admisie în poziția de mijloc între „ÎNCET” și „RAPID”. Treceți maneta de șoc în poziția ON („pornit”).

Motor cald: Aduceți maneta de admisie în poziția de mijloc între „ÎNCET” și „RAPID”. Readuceți maneta de șoc în poziția OFF („oprit”) imediat după pornirea motorului. De regulă, un motor cald nu necesită activarea șocului.

4. Pornire cu recul: Trageți încet maneta demarorului doar până nu se mai simte compresia – STOP! Readuceți mânerul demarorului; trageți drept de firul de pornire pentru a evita deteriorarea acestuia prin frecarea de ghidaj.

Demaror electric: Acționați comutatorul de pornire. Eliberați comutatorul imediat după pornirea motorului. Dacă motorul demaror nu imprimă rotații complete motorului, opriți-l imediat. Nu mai încercați să porniți motorul până când nu a fost remediată această problemă. Nu porniți motorul cu ajutorul unui alt acumulator. Pentru analiza problemei, luați legătura cu dealerul autorizat Kohler.

5. Readuceți treptat maneta de șoc în poziția „OPRIT” după ce motorul pornește și se încălzește. Motorul/echipamentul se poate utiliza în perioada de încălzire, dar poate fi necesar să păstrați șocul parțial pornit până la încălzirea completă a motorului.

RO

Sfaturi pentru pornirea pe timp rece

1. Utilizați uleiul corespunzător temperaturilor prognozate.
2. Decuplați toate sarcinile externe.
3. Alimentați motorul cu combustibil de iarnă. Combustibilul de iarnă are o volatilitate mai mare pentru a ușura pornirea.

Oprirea

1. Dacă este posibil, înlăturați toate sarcinile prin decuplarea tuturor anexelor acționate prin prizele de putere.
2. Dacă face parte din dotare, puneți comutatorul de accelerație în poziția de relanti sau turație mică; opriți motorul.
3. Dacă face parte din dotare, închideți valva de închidere a combustibilului.

Unghi de înclinare

Consultați instrucțiunile de utilizare a echipamentului acționat cu acest motor. Nu exploatați acest motor dacă se depășește unghiul maxim de exploatare; vezi tabelul cu specificații. Ungerea insuficientă poate duce la defectarea motorului.

Turația motorului

OBSERVAȚIE: Nu modificați reglajul clapetei regulatorului pentru a obține o turație mai mare. Supraturarea este periculoasă și va atrage anularea garanției acordate motorului.

Funcționarea la mare altitudine

Este posibil ca acest motor să necesite un set de jicloare pentru altitudini mari pentru a se asigura funcționarea corectă a motorului la înălțimi mai mari decât 4000 ft. (1219 metri). Pentru a achiziționa un set de jicloare pentru altitudini mari sau pentru a găsi un dealer autorizat Kohler, apălați la KohlerEngines.com sau sunați la 1-800-544-2444 (S.U.A. și Canada).

Acest motor trebuie exploatat cu configurația sa originală la altitudini mai mici de 4000 ft. (1219 metri). În cazul în care este montat și exploatat un set de jicloare pentru altitudini mari la altitudini mai mici de 4000 ft. (1219 metri), pot avea loc avarii.

Jivrajul carburatorului


OBSERVAȚIE: Motorul se poate defecta dacă funcționează la temperaturi normale cu capacul în poziția de „vreme rece”.

Jivrajul carburatorului poate apărea la anumite combinații de temperatură și umiditate. Jivrajul duce la funcționare neuniformă la mersul în gol și la turații mici, precum și la formarea unui fum negru sau alb.

Pentru a reduce șansele de jivraj, puteți roti capacul filtrului de aer pentru a trage aer mai cald de lângă toba de eșapament. Pentru funcționarea pe vreme rece, așezați capacul filtrului de aer cu plăcuța care indică un fulg de zăpadă în afară.

Pentru funcționarea la temperaturi normale, așezați capacul filtrului de aer cu plăcuța care indică soarele în afară.

Instrucțiuni de întreținere

	⚠️ AVERTISMENT	Înainte de a efectua lucrări asupra motorului sau a echipamentului, dezactivați motorul: 1) Decuplați cablurile bujiilor. 2) Decuplați cablul negativ (-) al acumulatorului.
	Pornirea accidentală poate duce la vătămări corporale grave sau la deces. Decuplați și legați la pământ cablul bujiei înainte de efectuarea lucrărilor de service.	

Întreținerea, înlocuirea sau reparațiile normale ale dispozitivelor și sistemelor de control al emisiilor pot fi efectuate de orice firmă sau persoană specializată, dar reparațiile în termenul de garanție trebuie să fie efectuate la un dealer autorizat Kohler, pe care îl găsiți la KohlerEngines.com sau 1-800-544-2444 (S.U.A și Canada).

Programul de întreținere

După primele 5 ore

- Schimbați uleiul.

Anual sau după fiecare 50 de ore

- Realizați service/schimbați filtrul brut Quad-Clean™.

Anual sau după fiecare 100 de ore¹

- Curățați elementul filtrului de aer low-profile.
- Schimbați uleiul.
- Curățați zonele de răcire.
- Schimbați bujia și setați distanța.

După fiecare 200 de ore²

- Verificați și reglați jocul valvei când motorul este rece.

După fiecare 200 de ore

- Schimbați elementul de filtru brut Quad-Clean™.

După fiecare 300 de ore

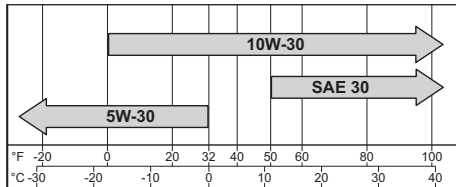
- Schimbați elementul de filtru de aer low-profile.
- Verificați filtrele de combustibil (filtrul de la ieșirea din rezervor și filtrul pe conductă). Curățați-le și schimbați-le dacă este cazul (dacă sunt montate).

¹ Efectuați mai des aceste proceduri dacă se lucrează în medii cu mult praf și murdărie.

² Pentru aceste lucrări, apălați la un dealer autorizat Kohler.

Recomandări privind uleiul

Pentru performanțe optime, vă recomandăm folosirea uleiurilor Kohler. Alte uleiuri de calitate superioară (inclusiv cele sintetice), cu aditivi dispersanți, din clasele API (American Petroleum Institute) SJ sau superioare sunt și ele acceptabile. Alegeți vâscozitatea în funcție de temperatura aerului în momentul funcționării, conform tabelului de mai jos.



Verificarea nivelului uleiului

OBSERVAȚIE: Pentru a preveni uzura sau deteriorarea majore a motorului, nu lăsați niciodată motorul să funcționeze dacă nivelul de ulei nu se încadrează în indicatorul domeniului de funcționare d epe joă.

Asigurați-vă că uleiul este rece. Curățați orice reziduuri de pe suprafețele bușonului/joiei.

1. Scoateți joia; ștergeți-o de ulei.
2. Reintroduceți joia în tub; sprijiniți-o de gâtul bușonului; răsuciți în sens antiorar până când capacul coboară în cel mai jos punct al ghidajelor filetate; nu înfiletați capacul pe tub.
 - a. Scoateți joia; verificați nivelul uleiului. Nivelul trebuie să fie în partea superioară a indicatorului de pe joă.
sau
 - b. Scoateți bușonul de ulei. Nivelul trebuie să ajungă până la punctul în care ar ieși gâtul de umplere.
3. Dacă nivelul uleiului este scăzut, adăugați ulei până la punctul în care ar ieși prin gâtul de umplere.
4. Puneți la loc joia sau bușonul și strângeți bine.

Schimbarea uleiului

Schimbați uleiul în timp ce motorul este cald.

1. Curățați zonele din jurul dopului de scurgere și al bușonului/joiei de ulei.
2. Scoateți dopul de scurgere și bușonul de alimentare cu ulei/joia. Goliți complet uleiul.
3. Puneți la loc dopul de scurgere. Strângeți la 13 ft. lb. (17,6 N·m).
4. Umpleți blocul motor cu ulei nou până în punctul în care ar ieși prin gâtul de umplere.

5. Puneți la loc bușonul/joia și strângeți bine.
6. Predați uleiul uzat conform ordonanțelor locale.

Oil Sentry™ (dacă există în dotare)

Acesta este menit să împiedice pornirea motorului dacă nu există ulei sau dacă nivelul acestuia este insuficient. Este posibil ca Oil Sentry™ să nu oprească motorul aflat în funcțiune înainte de producerea defecțiunii. În unele cazuri acest presostat va activa un semnal de avertizare. Pentru informații suplimentare, citiți manualele echipamentului.

Recomandări legate de combustibil



	AVERTISMENT
	Combustibilul explozibil poate provoca incendii și arsuri grave. Nu alimentați rezervorul cu combustibil în timp ce motorul este fierbinte sau în funcționare.
Benzina este extrem de inflamabilă. Vaporii de benzină aprinși pot produce explozii. Păstrați benzina doar în recipiente aprobate, în clădiri bine aerisite, nelocuite, ferite de scântei sau flăcări. Combustibilul vărsat se poate aprinde dacă intră în contact cu piesele fierbinți sau cu scântei de la aprindere. Nu utilizați niciodată benzina drept agent de curățare.	

OBSERVAȚIE: E15, E20 și E85 Nu sunt aprobate și NU trebuie folosite; efectele combustibilului vechi, expirat sau contaminat nu pot fi garantate.

Combustibilul trebuie să respecte aceste standarde:

- Benzină curată, proaspătă, fără plumb.
- Cu cifra octanică de 87 (R+M)/2 sau mai mare.
- Metoda la turație mică (Research Octane Number, RON), cifra octanică trebuie să fie de cel puțin 90.
- Benzina cu maxim 10% din volum alcool etilic și 90% benzină fără plumb este acceptată.
- Amestecurile de metil terțiar butil eter (MTBE) și benzină fără plumb (maxim 15% din volum MTBE) sunt combustibili aprobați.
- Nu turnați ulei în benzină.
- Nu umpleți rezervorul de combustibil peste capacitate.
- Nu folosiți benzină mai veche de 30 de zile.

Adăugarea combustibilului

	 AVERTISMENT
	Combustibilul explozibil poate provoca incendii și arsuri grave. Nu alimentați rezervorul cu combustibil în timp ce motorul este fierbinte sau în funcționare.
Benzina este extrem de inflamabilă. Vaporii de benzină aprinși pot produce explozii. Păstrați benzina doar în recipiente aprobate, în clădiri bine aerisite, nelocuite, ferite de scânteii sau flăcări. Combustibilul vărsat se poate aprinde dacă intră în contact cu piesele fierbinți sau cu scânteii de la aprindere. Nu utilizați niciodată benzina drept agent de curățare.	

Asigurați-vă că uleiul este rece.

1. Curățați suprafața din jurul bușonului.
2. Scoateți bușonul. Completați până la baza gâtului de umplere. Nu umpleți rezervorul de combustibil peste capacitate. Lăsați loc pentru dilatarea combustibilului.
3. Reașezați bușonul și strângeți bine.

Conducta de combustibil

Trebuie montată o conductă de combustibil cu o rată de penetrare scăzută la motoarele cu carburatoare Kohler Co. pentru a menține conformitatea EPA și CARB.


Valva de combustibil

Motoarele sunt prevăzute cu o valvă de combustibil și filtru integrat amplasat la admisia carburatorului. Aceasta comandă și filtrează fluxul de combustibil de la rezervor la carburator. Curățați de reziduuri capacul valvei de combustibil.

1. Scoateți două piulițe, două șuruburi și panoul capacului carburatorului.
2. Treceți pârghia vașvei de combustibil în poziția OPRIT.
3. Scoateți capacul valvei de combustibil. Scoateți garnitura O și filtrul.
4. Curățați filtrul și capacul valvei de combustibil cu un solvent și ștergeți-l.
5. Verificați filtrul și garnitura O și schimbați dacă sunt deteriorate.
6. Montați la loc garnitura O și apoi capacul valvei de combustibil. Strângeți cu mâna capacul valvei de combustibil. Răsuciți-l cu o cheie între 1/2 și 3/4 de rotație.
7. Răsuciți valva de combustibil în poziția „DESCHIS” și verificați să nu existe scurgeri. Dacă apar scurgeri, repetați pașii 5 și 6.

8. Strângeți bine capacul valvei de combustibil.
9. Montați la loc capacul carburatorului și fixați-l cu dispozitivul demontat la pasul 1.

Bujiile

	ATENȚIE
	Electrocutarea poate provoca vătămări. Nu atingeți cablurile în timpul funcționării motorului.

Curățați cavitatea bujiei. Scoateți bujia și înlocuiți-o.

1. Verificați distanța disruptivă cu ajutorul unei lere. Ajustați distanța, vezi tabelul cu specificații pentru ajustare.
2. Montați bujia în chiulasă.
3. Strângeți bujia la 20 ft. lb. (27 N·m).

Filtru de aer

OBSERVAȚIE: Motorul se poate defecta dacă funcționează la temperaturi normale cu capacul în poziția de „vreme rece”.

OBSERVAȚIE: Utilizarea motorului cu componente slăbite sau deteriorate în filtrul de aer poate determina uzura și defectarea prematură a motorului. Înlocuiți toate componentele îndoite sau deteriorate.

OBSERVAȚIE: Elementul din hârtie nu poate fi curățat prin suflare cu aer comprimat.

Quad-Clean™

Deplasați colierele pe capacul filtrului de aer, în jos; scoateți blocatoarele de sub agățătoarele de pe bază; scoateți capacul.

Prefiltru:

1. Demontați prefiltrul de pe elementul de hârtie.
2. Înlocuiți sau spălați filtrul brut cu apă caldă și detergent. Clătiți și lăsați să se usuce la aer.
3. Îmbibați ușor filtrul brut cu ulei nou de motor; stoarceți excesul de ulei.
4. Montați la loc filtrul brut peste elementul de hârtie.

Elementul din hârtie:

1. Separați filtrul brut de element; realizați lucrările de service pentru filtrul brut și înlocuiți elementul de hârtie.
2. Montați pe bază noul element de hârtie; montați filtrul brut pe elementul de hârtie.

Așezați capacul filtrului de aer pentru funcționare la temperatură normală (plăcuța care indică soarele spre exterior) sau funcționare în condiții de vreme rece (plăcuța care indică fulgul de zăpadă spre exterior); așezați blocatoarele sub agățătoarele de pe bază; ridicați colierele pentru a fixa capacul.

Low-Profile

1. Îndepărtați șurubul și capacul filtrului de ulei.
2. Scoateți elementul de spumă din bază.
3. Spălați elementul de spumă cu apă caldă și detergent. Clătiți și lăsați să se usuce la aer.
4. Îmbibați ușor elementul de spumă cu ulei nou de motor; stoarceți excesul de ulei.
5. Montați la loc elementul din spumă în bază.
6. Montați la loc capacul și fixați-l cu șurubul.

Tubul aerisitorului

Asigurați-vă că sunt corect conectate ambele capete ale tubului aerisitorului.

Răcirea cu aer

	<p style="text-align: center;">⚠ AVERTISMENT</p> <p>Componentele fierbinți pot provoca arsuri grave.</p> <p>Nu atingeți motorul în timpul funcționării sau imediat după oprire.</p>
<p>Nu utilizați niciodată motorul fără ecrane termice sau apărători.</p>	

Răcirea corectă este esențială. Pentru a împiedica supraîncălzirea, curățați grila, aripioarele de răcire și alte suprafețe exterioare ale motorului. Evitați pulverizarea apei pe cablaje sau pe alte componente electrice. Vezi Programul de Întreținere.

Reparații/service pentru piese

Vă recomandăm să apelați la un dealer autorizat Kohler pentru toate lucrările de întreținere, service și înlocuire a pieselor motorului. Pentru a găsi un dealer autorizat Kohler, vizitați KohlerEngines.com sau sunați la 1-800-544-2444 (S.U.A. și Canada).

Depozitarea

Dacă motorul nu va fi utilizat timp de două sau mai multe luni, respectați următoarea procedură.

1. Adăugați tratamentul pentru combustibil Kohler PRO Series sau altul echivalent în rezervorul de combustibil. Lăsați motorul să funcționeze 2-3 minute pentru stabilizarea combustibilului în sistemul de alimentare cu combustibil (defecțiunile datorate combustibilului netratat nu sunt acoperite de garanție).
2. Uleiul se schimbă cât timp motorul este cald încă după funcționare. Scoateți una sau mai multe bujii și turnați aproximativ 1 oz. (30 ml) de ulei de motor în cilindru(i). Înlocuiți una sau mai multe bujii și încercați să porniți încet motorul pentru a distribui uleiul.
3. Deconectați cablul negativ (-) al bateriei.
4. Depozitați motorul într-un loc curat și uscat.

RO

Depanare

Nu încercați să efectuați lucrări de service sau să înlocuiți componente majore ale motorului sau alte componente care necesită proceduri speciale de reglare sau sincronizare. Aceste lucrări trebuie efectuate doar de un dealer autorizat Kohler.

Problema	Cauza posibilă							
	Lipsă combustibil	Combustibil neadecvat	Impurități în conducta de combustibil	Ecran murdar cu reziduuri	Nivel ulei incorect	Motor suprasolicitat	Filtru de aer murdar	Bujie avariată
Nu pornește	•	•	•		•	•	•	•
Pornește cu greu		•	•		•	•	•	•
Se oprește brusc	•		•	•	•	•	•	•
Nu dezvoltă putere		•	•	•	•	•	•	•
Funcționează defectuos		•	•	•		•	•	•
Se aud lovituri sau zgomote		•		•		•		•
Dă rateuri		•	•	•			•	•
Recul		•	•			•	•	•
Se supraîncălzește		•	•	•	•	•	•	
Consum mare de combustibil						•	•	•

Specificațiile motorului

Model:	Alezaj:	Cursă:	Cilindree:	Capacitate ulei (completare)	Distanța bujiei	Unghiul maxim de exploatare (@ nivelul maxim al uleiului)*
CH260	2,8 in. (70 mm)	2,1 in. (54 mm)	12,7 in. (208 cc)	0,63 U.S. qt. (0,60 L)	0,03 in. (0,76 mm)	25°
CH270						
CH395	3,1 in. (78 mm)	2,3 in. (58 mm)	16,9 in. (277 cc)	1,16 U.S. qt. (1,1 L)		
CH440	3,5 in. (89 mm)	2,7 in. (69 mm)	24,7 in. (429 cc)			

*Depășirea unghiului maxim de exploatare poate duce la avariarea motorului datorită ungerii insuficiente.

Informații suplimentare se găsesc în manualul de service, la KohlerEngines.com.

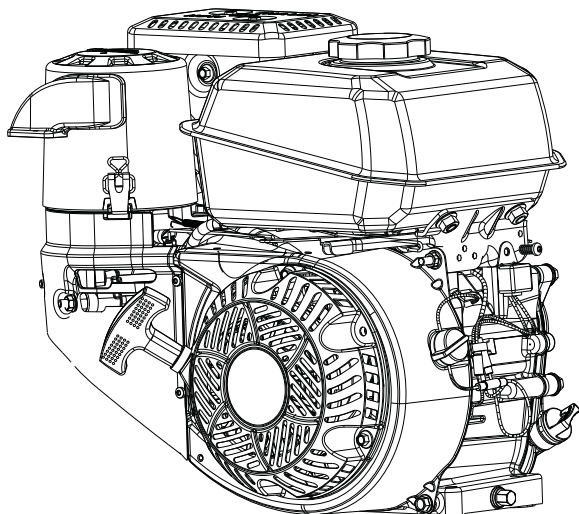
Sistemul de control al emisiilor pentru modelele CH260, CH270, CH395, CH440 este EM pentru EPA din S.U.A., California și pentru Europa.

Toate referirile la cai-putere (CP) ale Kohler reprezintă numărul de cai-putere certificat și respectă standardele SAE J1940 & J1995 CP. Detalii despre numărul de cai-putere certificat se găsesc la KohlerEngines.com.

KOHLER® Command PRO®

CH260, CH270, CH395, CH440

Руководство пользователя



RU

ВАЖНО: Тщательно изучите все меры предосторожности и инструкции до начала работы с оборудованием. Обратитесь к руководству по эксплуатации оборудования, для которого данный двигатель является приводом.

Перед выполнением сервисных работ и работ по техническому обслуживанию убедитесь, что двигатель остановлен.

Условия гарантии указаны в гарантийном формуляре и на сайте KohlerEngines.com. Внимательно изучите гарантийные условия, так как они предусматривают Ваши определенные права и обязанности.

При заказе запчастей или получении гарантийного обслуживания запишите для справки информацию о двигателе.

Модель двигателя _____

Технические характеристики _____

Серийный номер _____

Дата приобретения _____

Техника безопасности

⚠ ПРЕДУПРЕЖДЕНИЕ: Опасность, которая может привести к летальному исходу, серьезной травме или значительному повреждению собственности.

⚠ ОСТОРОЖНО: Опасность, которая может привести небольшой травме или повреждению собственности.

ПРИМЕЧАНИЕ. используется для сообщения о важной информации, касающейся установок, эксплуатации или обслуживания.

	ПРЕДУПРЕЖДЕНИЕ
	<p>Легковоспламеняющееся топливо может стать причиной пожара и сильных ожогов.</p> <p>Не заливайте топливо в бак, если двигатель горячий или работает.</p>

Бензин чрезвычайно огнеопасен и его пары при воспламенении могут вызвать взрыв. Храните бензин только в предназначенных для этого емкостях в нежилых помещениях с хорошей вентиляцией, вдали от источников искр или открытого огня. При контакте пролитого топлива с горячими элементами или искрами зажигания может произойти возгорание. Никогда не используйте бензин в качестве чистящего средства.

	ПРЕДУПРЕЖДЕНИЕ
	<p>Монооксид углерода может вызвать тошноту, потерю сознания или привести к смерти.</p> <p>Избегайте вдыхания отработанных газов.</p>

В выхлопных газах двигателя содержится ядовитый монооксид углерода. Монооксид углерода является бесцветным газом без запаха и в случае вдыхания может вызвать смерть.

	ПРЕДУПРЕЖДЕНИЕ
	<p>Случайный запуск может привести к серьезным травмам или смерти.</p> <p>Перед проведением работ по обслуживанию отсоедините и заземлите провод свечи(-ей) зажигания.</p>

Перед началом работы с двигателем или оборудованием сначала заблокируйте двигатель следующим образом: 1) Отсоедините провод(а) свечи(ей) зажигания. 2) Отсоедините минусовой (-) провод от аккумуляторной батареи.

	ПРЕДУПРЕЖДЕНИЕ
	<p>Вращающиеся детали могут причинить серьезную травму.</p> <p>Соблюдайте дистанцию во время работы двигателя.</p>

Держите руки, ноги, волосы и одежду вдали от вращающихся деталей, так как в противном случае вы можете получить травму. Не разрешается эксплуатировать двигатель со снятыми крышками, кожухами и защитными приспособлениями.

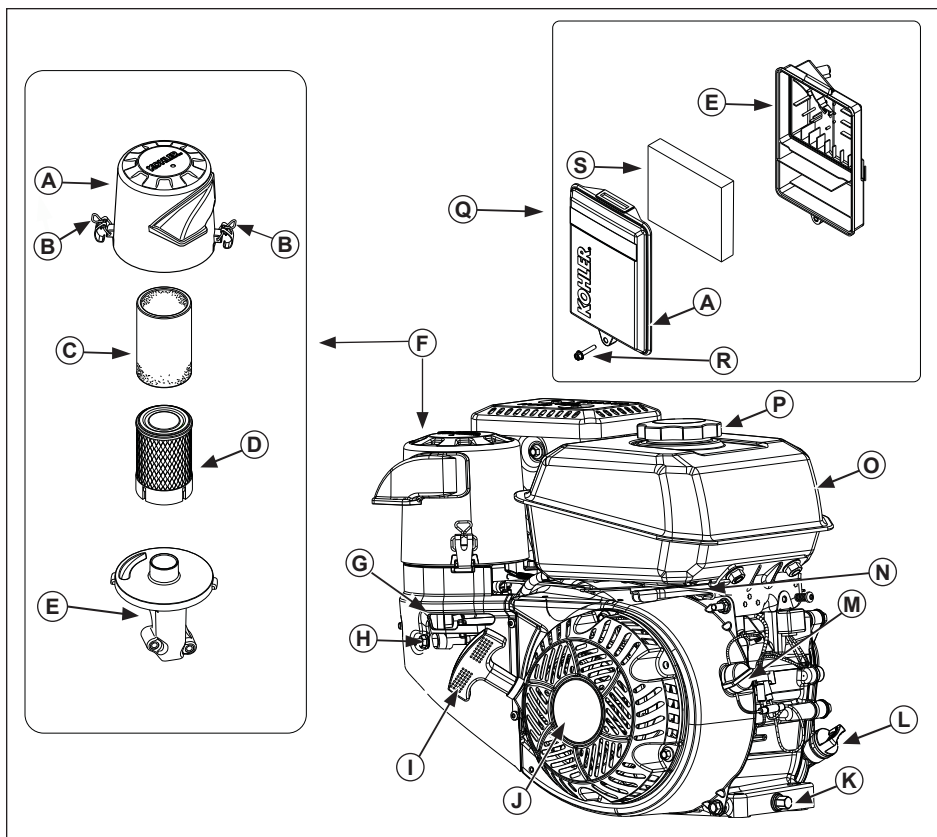
	ОСТОРОЖНО
	<p>Электрический ток может нанести серьезную травму.</p> <p>Не прикасайтесь к проводке во время работы двигателя.</p>

	ПРЕДУПРЕЖДЕНИЕ
	<p>Горячие детали могут стать причиной сильных ожогов.</p> <p>Не прикасайтесь к двигателю во время работы или непосредственно после остановки.</p>

Не разрешается эксплуатировать двигатель со снятыми теплозащитными экранами и защитными приспособлениями.

Предупреждение согласно закону №65 штата Калифорния

Выхлопные газы двигателя содержат химические вещества, которые, согласно постановлению штата Калифорния, могут вызвать рак, заболевания дыхательной системы или нарушения репродуктивной функции.



RU

A	Кожух воздушного фильтра	B	Петля	C	Фильтр предварительной очистки	D	Бумажный элемент
E	Основание воздушного фильтра	F	Воздушный фильтр Quad-Clean™	G	Рычаг воздушной заслонки	H	Отсечной клапан подачи топлива
I	Ручка стартера	J	Выдвижной стартер	K	Маслосливная пробка	L	Заглушка маслозаливной горловины / стержневой указатель уровня
M	Переключатель вкл./выкл. (при наличии)	N	Рычаг дроссельной заслонки	O	Топливный бак	P	Крышка топливного бака
Q	Низкопрофильный воздушный фильтр	R	Винт	S	Поролоновый элемент		

Процедура проверки двигателя перед запуском

1. Проверьте уровень масла. Добавьте, если уровень ниже требуемого. Не допускайте перелива топлива.
2. Проверьте уровень топлива. Добавьте, если уровень ниже требуемого. Проверьте компоненты топливной системы и трубопроводы на наличие утечек.
3. Проверьте и выполните очистку зон охлаждения, зон впуска воздуха и наружных поверхностей двигателя (особенно после хранения).
4. Убедитесь в том, что все детали воздушного фильтра и все кожухи, крышки оборудования, защитные приспособления находятся на месте и надежно закреплены.
5. Проверьте искрогаситель (если установлен).

	⚠ ПРЕДУПРЕЖДЕНИЕ
	Монооксид углерода может вызвать тошноту, потерю сознания или привести к смерти. Избегайте вдыхания отработанных газов.
В выхлопных газах двигателя содержится ядовитый монооксид углерода. Монооксид углерода является бесцветным газом без запаха и в случае вдыхания может вызвать смерть.	

	⚠ ПРЕДУПРЕЖДЕНИЕ
	Вращающиеся детали могут причинить серьезную травму. Соблюдайте дистанцию во время работы двигателя.
Держите руки, ноги, волосы и одежду вдали от вращающихся деталей, так как в противном случае вы можете получить травму. Не разрешается эксплуатировать двигатель со снятыми крышками, кожухами и защитными приспособлениями.	

ПРИМЕЧАНИЕ. Положение воздушной заслонки при запуске может изменяться в зависимости от температуры и других факторов. Когда двигатель запущен и прогрет, поверните механизм управления воздушной заслонкой в положение OFF (открыто).

ПРИМЕЧАНИЕ. Чтобы проверить состояние шнура стартера периодически полностью разматывайте его. При наличии потертостей немедленно замените его, позвонив авторизованному дилеру Kohler.

ПРИМЕЧАНИЕ. Не допускайте постоянного вращения двигателя стартером в течение более 10 секунд. Между попытками запуска должно пройти 60 секунд для обеспечения охлаждения. В случае несоблюдения данных рекомендаций возможен перегрев и выход из строя электродвигателя стартера.

ПРИМЕЧАНИЕ. Если коленвал двигателя раскручивается до скорости отключения стартера, но не продолжает работать самостоятельно (ложный пуск), то перед повторным

запуском необходимо дождаться полной остановки двигателя. Если включить стартер в процессе вращения маховика, то шестерня стартера может соудариться с зубчатым венцом маховика, в результате чего стартер может выйти из строя.

1. Переключите отсечной топливный клапан в положение ON «открыто» (при его наличии).
2. Установите переключатель вкл./выкл. двигателя в положение ON «открыто» (при его наличии).
3. Запустите двигатель следующим образом:

Непрогретый двигатель: Установите воздушную заслонку в среднее положение между SLOW (медленный режим) и FAST (ускоренный режим). Установите рычаг управления воздушной заслонкой в положение ON (открыто).

Прогретый двигатель: Установите воздушную заслонку в среднее положение между SLOW (медленный режим) и FAST (ускоренный режим). Переведите рычаг управления воздушной заслонкой в положение off (закрыто). Для прогретого двигателя, как правило, не требуется открывание воздушной заслонки.

4. Медленно потяните за рукоятку стартера и, как только почувствуете сжатие, прекратите перемещение рукоятки! Верните пусковую рукоятку в исходное положение; чтобы избежать повышенного износа шнура стартера о направляющий канал, всегда тяните рукоятку прямо с усилием.

Электрический стартер: Включите стартер с помощью переключателя. Сразу после запуска двигателя отпустите кнопку. Если стартер не может повернуть коленчатый вал двигателя, то его следует выключить немедленно. Не предпринимайте дальнейших попыток запустить двигатель до тех пор, пока неисправность не будет устранена. Не пытайтесь запустить двигатель от другой аккумуляторной батареи. Для анализа неисправности обратитесь к авторизованному дилеру компании Kohler.

5. После запуска и прогрева двигателя плавно переместите рычаг управления воздушной заслонкой в положение OFF. Возможна эксплуатация двигателя/оборудования во время прогрева, но необходимо оставить воздушную заслонку частично прикрытой до полного прогрева двигателя.

Советы по запуску двигателя в холодную погоду

1. Используйте соответствующее масло для ожидаемой температуры.
2. Отключите все возможные внешние нагрузки.
3. Используйте свежее зимнее топливо. Зимний бензин обладает более высокой летучестью для улучшения запуска двигателя.

Остановка

1. По мере возможности уменьшите нагрузку на двигатель, отключив все инструменты, подключенные к валу отбора мощности.
2. Переверните рычаг управления дроссельной заслонкой (при его наличии) в положение медленного режима или холостых оборотов; остановите двигатель.
3. Закройте отсечной топливный кран (при его наличии).


Угол наклона при работе

Обратитесь к руководству по эксплуатации оборудования, для которого данный двигатель является приводом. Не используйте двигатель с превышением максимального рабочего угла; см. таблицу с характеристиками. Возможно повреждение двигателя из-за недостаточной смазки.

Число оборотов двигателя

ПРИМЕЧАНИЕ. Не изменяйте настройки регулятора для повышения максимальной скорости вращения двигателя. Превышение скорости работы представляет опасность и приведет к аннулированию гарантии.

Указания по обслуживанию

	<p>⚠ ПРЕДУПРЕЖДЕНИЕ</p> <p>Случайный запуск может привести к серьезным травмам или смерти.</p> <p>Перед проведением работ по обслуживанию отсоедините и заземлите провод свечи(-ей) зажигания.</p>	<p>Перед началом работы на двигателе или с оборудованием сначала заблокируйте двигатель следующим образом: 1) Отсоедините провод(а) свечи(ей) зажигания. 2) Отсоедините минусовой (-) провод от аккумуляторной батареи.</p>
--	---	---

Обычное обслуживание, замена или ремонт устройств и систем снижения токсичности отработанных газов может быть выполнено в любой ремонтной мастерской или индивидуально, однако гарантийный ремонт должен производиться авторизованным дилером компании Kohler, список которых можно найти, посетив веб-сайт KohlerEngines.com или позвонив по телефону 1-800-544-2444 (для США и Канады).

Эксплуатация на больших высотах над уровнем моря

Данный двигатель может потребовать комплект карбюратора для работы на больших высотах для обеспечения надлежащей работы, если высота над уровнем моря превышает 4000 футов. (1219 метров). Для получения комплекта карбюратора для работы на больших высотах или поиска авторизованного дилера компании Kohler посетите веб-сайт KohlerEngines.com или позвоните по номеру 1-800-544-2444 (для США и Канады).

В оригинальной конфигурации данный двигатель должен работать на высоте менее 4000 футов (1219 метров), при установленном комплекте карбюратора для работы на больших высотах и эксплуатации двигателя на высоте менее 4000 футов (1219 метров) может возникнуть неисправность.

Замерзание карбюратора

ПРИМЕЧАНИЕ. Работа двигателя с кожухом для эксплуатации при холодной погоде в нормальных условиях может привести к его повреждению.

Замерзание карбюратора может произойти в условиях низких температур при высокой влажности. Признаками замерзания карбюратора является неровная работа двигателя на холостом ходу либо на низкой скорости, а также черный или белый дым из карбюратора.

Чтобы снизить вероятность замерзания карбюратора, крышку воздушного фильтра можно повернуть, чтобы забирать теплый воздух со стороны глушителя. Для работы в холодное время года установите кожух воздушного фильтра снежным ярлыком наружу.

Для нормальных условий установите кожух воздушного фильтра солнечным ярлыком наружу.

RU

График технического обслуживания

По прошествии первых 5 часов

- Замените масло.

Каждый год или каждые 50 часов

- Выполните обслуживание/замену фильтра предварительной очистки Quad-Clean™

Каждый год или каждые 100 часов¹

- Очистите низкопрофильный фильтрующий элемент воздушного фильтра.
- Замените масло.
- Очистите зоны охлаждения.
- Замените свечу зажигания, отрегулируйте ее зазор.

Каждые 200 часов²

- Проверьте и отрегулируйте зазоры клапанов при холодном двигателе.

Каждые 200 часов

- Замените фильтрующий элемент воздушного фильтра Quad-Clean™

Каждые 300 часов

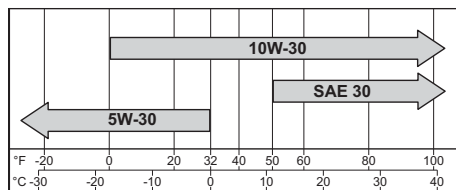
- Замените низкопрофильный фильтрующий элемент воздушного фильтра.
- Проверьте топливные фильтры (фильтр на выходе из бака и проходной фильтр бензопровода), очистите их или замените, если это необходимо (при наличии)..

¹ Выполняйте данные работы по обслуживанию чаще в очень пыльных или грязных условиях работы.

² Поручите данные работы авторизованному дилеру компании Kohler.

Рекомендация по маслам

Для достижения наилучшей производительности мы рекомендуем использовать масла Kohler. Можно использовать прочие высококачественные масла с мощными присадками (включая синтетические) API (Американский нефтяной институт) категории обслуживания SJ или выше. Выберите вязкость масла с учетом температуры воздуха во работы в соответствии со следующей таблицей.



Проверка уровня масла

ПРИМЕЧАНИЕ. Чтобы предотвратить интенсивный износ или повреждение двигателя, никогда не запускайте двигатель, если уровень масла находится ниже или выше пределов рабочего диапазона на стержневом указателе уровня масла.

Убедитесь, что двигатель остыл. Очистите от мусора области вокруг заливной горловины/ стержневого указателя уровня масла.

1. Выньте стержневой указатель уровня масла, удалите масло.
2. Повторно вставьте стержневой указатель уровня масла в трубку до заливной горловины; поверните против часовой стрелки до тех пор, пока крышка не переместиться в наиболее низкое положение хода резьбы; не закручивайте крышку в трубку.
 - a. Выньте стержневой указатель уровня; проверьте уровень масла. Уровень должен располагаться в области верхнего индикатора стержневого указателя уровня.
или
 - b. Выньте заглушку маслосливной горловины. Уровень должен располагаться в области точки переполнения заливной горловины.
3. Если уровень слишком мал, долейте масло до уровня переполнения заливной горловины.
4. Установите стержневой указатель уровня масла или пробку заливной горловины и надежно затяните ее.

Замена масла

Меняйте масло на теплом двигателе.

1. Очистите область вокруг маслосливной горловины/стержневого указателя уровня масла и маслосливной пробки.
2. Удалите сливную пробку и маслосливную горловину/стержневой указатель уровня. Полностью слейте масло.

3. Установите сливную пробку на место. Затяните ее с усилием 17,6 Н м (13 фунто-футов).
4. Заполните картер новым маслом до точки переполнения заливной горловины.
5. Установите на место колпачок маслозаливной горловины/стержневой указатель уровня и надежно затяните ее.
6. Утилизируйте использованное масло в соответствии с постановлениями местных властей.

- Допускается использование бензина с 10% этилового спирта, 90% неэтилированной части.
- Разрешены к использованию метил-трет-бутиловый эфир (МТБЕ) и неэтилированный бензин (содержание по объему до 15% МТБЕ).
- Не добавляйте в бензин масло.
- Не допускайте перелива топлива при заправке.
- Не используйте бензин старше 30 дней.

Oil Sentry™ (при его наличии)

Этот датчик предназначен для предотвращения запуска двигателя при низком уровне масла или при его отсутствии. Датчик Oil Sentry™ не сможет выключить работающий двигатель до возникновения его неисправности. В некоторых случаях применения данный датчик может включать предупредительный сигнал. Дополнительную информацию можно найти в руководствах по эксплуатации оборудования.

Добавление топлива

	⚠ ПРЕДУПРЕЖДЕНИЕ
	<p>Легковоспламеняющееся топливо может стать причиной пожара и сильных ожогов.</p> <p>Не заливаете топливо в бак, если двигатель горячий или работает.</p>

Бензин чрезвычайно огнеопасен и его пары при воспламенении могут вызвать взрыв. Храните бензин только в предназначенных для этого емкостях в нежилых помещениях с хорошей вентиляцией, вдали от источников искр или открытого огня. При контакте пролитого топлива с горячими элементами или искрами зажигания может произойти возгорание. Никогда не используйте бензин в качестве чистящего средства.

Рекомендации по выбору топлива

	⚠ ПРЕДУПРЕЖДЕНИЕ
	<p>Легковоспламеняющееся топливо может стать причиной пожара и сильных ожогов.</p> <p>Не заливаете топливо в бак, если двигатель горячий или работает.</p>

Бензин чрезвычайно огнеопасен и его пары при воспламенении могут вызвать взрыв. Храните бензин только в предназначенных для этого емкостях в нежилых помещениях с хорошей вентиляцией, вдали от источников искр или открытого огня. При контакте пролитого топлива с горячими элементами или искрами зажигания может произойти возгорание. Никогда не используйте бензин в качестве чистящего средства.

ПРИМЕЧАНИЕ. E15, E20 и E85 НЕ одобрены и НЕ должны использоваться; последствия использования старого, несвежего или загрязненного топлива не попадают под действие гарантии.

Топливо должно соответствовать следующим требованиям:

- Чистое, свежий, неэтилированный бензин.
- Октановое число 87 (R+M)/2 или более высокое.
- При использовании исследовательского метода определения октанового числа, следует использовать бензин с октановым числом не менее 90.

Убедитесь, что двигатель остыл.

1. Очистите область вокруг крышки топливного бака.
2. Снимите крышку топливного бака. Заполните бак до основания заливной горловины. Не допускайте перелива топлива при заправке. Оставляйте некоторый свободный объем для расширения топлива.
3. Установите на место крышку топливного бака и надежно затяните ее.

Топливопровод

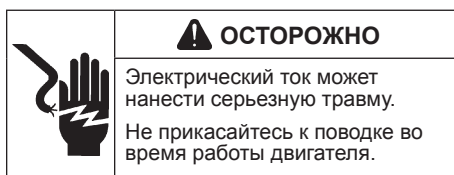
На карбюраторных двигателях Kohler Co. должен быть установлен топливопровод с низкой пропускающей способностью, чтобы соответствовать нормам EPA и CARB.

Топливный кран

Двигатели оборудованы топливным краном и встроенным сетчатым фильтром, расположенными на впускном отверстии карбюратора. Он контролирует и фильтрует поток топлива, поступающего из бака в карбюратор. Очистите стакан топливного крана от мусора.

1. Снимите две гайки, два винта и защитную панель карбюратора.
2. Поверните рычаг топливного крана в положение OFF (ЗАКР.).
3. Снимите стакан топливного крана. Снимите кольцеобразное уплотнение и сито фильтра.
4. Очистите экран и стакан топливного крана с помощью моющего средства и вытрите его насухо.
5. Проверьте сито и кольцевое уплотнение, замените его при повреждении.
6. Установите обратно кольцевое уплотнение, затем стакан топливного крана. Заверните стакан топливного крана вручную до упора. Доверните стакан гаечным ключом, выполнив 1/2–3/4 от полного оборота.
7. Поверните топливный клапан в положение ON (открыт) и проверьте отсутствие утечек. При обнаружении утечек в стакане топливного крана, повторите шаги 5 и 6.
8. Плотно заверните крышку топливного бака.
9. Установите обратно защитную панель карбюратора, зафиксировав гайки и винт, снятые при выполнении шага 1.

Свечи зажигания



Очистите выемку вокруг свечи зажигания. Выньте и замените свечу.

1. Измерьте зазор при помощи щупа из проволоки для измерения зазоров. Отрегулируйте зазор, для регулировки см. таблицу с характеристиками.
2. Установите свечу в цилиндрическую головку.
3. Затяните свечу с усилием 27 Н м (20 фунто-футов).

Воздушный фильтр

ПРИМЕЧАНИЕ. Работа двигателя с кожухом для эксплуатации при холодной погоде в нормальных условиях может привести к его повреждению.

ПРИМЕЧАНИЕ. Эксплуатация двигателя при наличии незакрепленных или поврежденных деталей воздушного фильтра может повлечь преждевременный износ и выход из строя. Замените все согнутые или поврежденные компоненты.

ПРИМЕЧАНИЕ. Бумажный элемент не может разрываться струей сжатого воздуха.

Quad-Clean™

Поверните вниз петли на воздушном фильтре; снимите защелки с флажков в основании; снимите крышку.

Фильтр предварительной очистки:

1. Снимите предварительный воздушный фильтр с бумажного элемента.
2. Замените или вымойте предварительный воздушный фильтр в теплой воде с моющим средством. Ополосните и дайте высохнуть.
3. Слегка смажьте предварительный воздушный фильтр свежим моторным маслом; отожмите излишки масла.
4. Установите обратно предварительный воздушный фильтр поверх бумажного элемента.

Бумажный элемент:

1. Отделите фильтр предварительной очистки от бумажного элемента; проведите обслуживание фильтра предварительной очистки и замените бумажный элемент.
2. Установите новый бумажный элемент на основание; установите фильтр предварительной очистки поверх бумажного элемента.

Установите кожух воздушного фильтра для работы в нормальном режиме (солнечным ярлыком наружу) или в режиме холодных погодных условий (снежным ярлыком наружу); заведите защелки под флажки на основании; поднимите их вверх, вводя в петли, для фиксации крышки.

Низкопрофильный воздушный фильтр

1. Снимите винт и крышку с воздушного фильтра.
2. Удалите вспененный фильтрующий элемент с основания.
3. Вымойте вспененный фильтрующий элемент в теплой воде с моющим средством. Ополосните и дайте высохнуть.
4. Слегка смажьте вспененный фильтрующий элемент свежим моторным маслом; отожмите излишки масла.
5. Установите обратно вспененный фильтрующий элемент на основание.
6. Установите назад крышку и зафиксируйте ее винтом.

Вентиляционная труба

Убедитесь, что оба конца вентиляционной трубы подсоединены надлежащим образом.

Воздушное охлаждение

	<p>⚠ ПРЕДУПРЕЖДЕНИЕ</p> <p>Горячие детали могут стать причиной сильных ожогов.</p> <p>Не прикасайтесь к двигателю во время работы или непосредственно после остановки.</p>
<p>Не разрешается эксплуатировать двигатель со снятыми теплозащитными экранами и защитными приспособлениями.</p>	

Важно обеспечить надлежащее охлаждение. Чтобы предотвратить перегрев, очистите решетки, ребра охлаждения и прочие внешние поверхности двигателя. Избегайте распыления воды на электропроводку или любые другие электрические компоненты. См. график технического обслуживания.

Запчасти для ремонта/технического обслуживания

Для проведения технического обслуживания, сервисных работ и работ по замене элементов мы рекомендуем воспользоваться услугами авторизованного дилера компании Kohler. Для поиска авторизованного дилера компании Kohler посетите веб-сайт KohlerEngines.com или позвоните по номеру 1-800-544-2444 (для США и Канады).

Хранение

Если двигатель не будет эксплуатироваться в течение 2 или более месяцев, подготовьте его следующим образом:

1. Залейте в бензобак топливную пропитку Kohler PRO Series или аналогичную. Запустите двигатель и дайте ему поработать в течение 2-3 минут для того, чтобы стабилизатор попал в карбюратор (неисправности, возникшие вследствие использования необработанного топлива, не попадают под действие гарантии).
2. Смените масло, пока двигатель не остыл полностью. Удалите свечу(и) и залейте около 1 унции моторного масла в цилиндр(ы). Установите обратно свечу(и) и медленно проверните двигатель, чтобы распределить масло.
3. Отсоедините минусовой (-) провод от аккумуляторной батареи.
4. Храните двигатель в чистом и сухом месте.

RU

Устранение неисправностей

Не пытайтесь выполнять обслуживание или замену главных деталей двигателя, а также любых иных деталей, которые нуждаются в особой настройке или регулировке. Эта работа должна осуществляться авторизованным дилером Kohler.

Проблема	Возможная причина							
	Нет топлива	Топливо несоответствующего типа	Загрязнение топливного провода	Засорился воздушный фильтр	Неадекватный уровень масла	Перегрузка двигателя	Грязный воздушный фильтр	Неисправная свеча зажигания
Двигатель не заводится	•	•	•		•	•	•	•
Запускается с трудом		•	•		•	•	•	•
Внезапно глохнет	•		•	•	•	•	•	•
Недостаточно мощности		•	•	•	•	•	•	•
Работает нестабильно		•	•	•		•	•	•
Стук или свист		•		•		•		•
Пропуски или перебои		•	•	•			•	•
Хлопки в цилиндрах		•	•			•	•	•
Перегрев		•	•	•	•	•	•	
Высокое потребление топлива						•	•	•

Технические характеристики двигателя

Модель	Диаметр	Рабочий ход	Объем	Объем масла (при замене)	Зазор свечи зажигания	Максимальный рабочий угол (при максимальном уровне масла)*
CH260	70 мм. (2,8 дюйма)	54 мм. (2,1 дюйма)	208 куб. см (12,7 дюйма)	0,60 л (0,63 кварты США)	0,76 мм (0,03 дюйма)	25°
CH270						
CH395	78 мм. (3,1 дюйма)	58 мм. (2,3 дюйма)	277 куб. см (16,9 дюйма)	1,1 л (1,16 кварты США)		
CH440	89 мм. (3,5 дюйма)	69 мм. (2,7 дюйма)	429 куб. см (24,7 дюйма)			

*Превышение максимального рабочего угла может вызвать повреждение двигателя вследствие недостаточной смазки.

Дополнительная информация о характеристиках содержится в руководстве по обслуживанию на веб-сайте KohlerEngines.com.

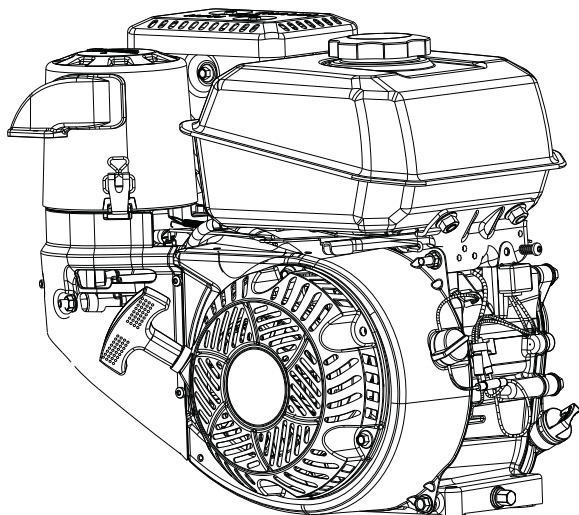
Системой ограничения выброса отработанных газов моделей CH260, CH270, CH395, CH440 для США и Европы является EM.

Любые ссылки компании Kohler на мощность, выраженную в лошадиных силах (л.с.), являются сертифицированными номинальными значениями мощности в соответствии со стандартами SAE J1940 и J1995. Подробная информация по сертифицированным номинальным значениям мощности содержится на веб-сайте KohlerEngines.com.

KOHLER® Command PRO®

CH260, CH270, CH395, CH440

Navodila za uporabo



SL

POMEMBNO: Pred uporabo opreme pazljivo preberite vsa varnostna opozorila in navodila. Oglejte si navodila strojev, ki jih ta motor poganja.

Preden opravite kakršna koli vzdrževalna ali servisna dela, se prepričajte, da je motor zaustavljen in postavljen na vodoravno podlago.

Garancijsko jamstvo je opisano na garancijski kartici in na spletni strani KohlerEngines.com. Pazljivo ga preučite, saj vsebuje določene pravice in obveznosti.

Zabeležite informacije o motorju, da si jih lahko ogledate, ko naročate dele ali zahtevate garancijsko jamstvo.

Model motorja _____

Specifikacije _____

Serijska številka _____


Datum nakupa _____

Varnostni ukrepi


⚠ OPOZORILO: Nevarnost, ki lahko povzroči resne poškodbe, smrt ali večjo škodo na lastnini.


⚠ OPOMIN: Nevarnost, ki lahko povzroči manjše poškodbe ali škodo na lastnini.

OPOMBA: se uporablja za obveščanje o pomembnih informacijah za namestitvev, uporabo ali vzdrževanje.


	<p>⚠ OPOZORILO</p> <p>Eksplodivno gorivo lahko povzroči požare in hude opekline.</p> <p>Posode za gorivo ne polnite, ko je motor ogret ali v teku.</p>
	<p>Bencin je močno vnetljiv in njegovi hlapi lahko ob vžigu eksplodirajo. Bencin shranjujte v odobrenih posodah v dobro prezračenih nenaseljenih zgradbah, kjer ni prisotnosti isker ali plamena. Če izlito gorivo pride v stik z vročimi deli ali iskrami iz vžiga, se lahko vname. Bencina nikoli ne uporabljajte kot čistilo.</p>

	<p>⚠ OPOZORILO</p> <p>Ogljikov monoksid lahko povzroči hudo slabost, omedlevalo ali smrt.</p> <p>Izogibajte se vdihavanju izpušnih plinov.</p>
	<p>Izpušni plini vsebujejo strupeni ogljikov monoksid. Ogljikov monoksid je brez vonja in barve, njegovo vdihavanje pa je smrtno nevarno.</p>

	<p>⚠ OPOZORILO</p> <p>Nenamerni zagon lahko povzroči hude poškodbe ali smrt.</p> <p>Prekinite povezavo in ozemljite povezave svečk pred servisiranjem.</p>
	<p>Pred delom z motorjem ali opremo onemogočite motor na naslednji način: 1) Odklopite prikladne kable svečk. 2) Odklopite negativni (-) pol akumulatorja.</p>

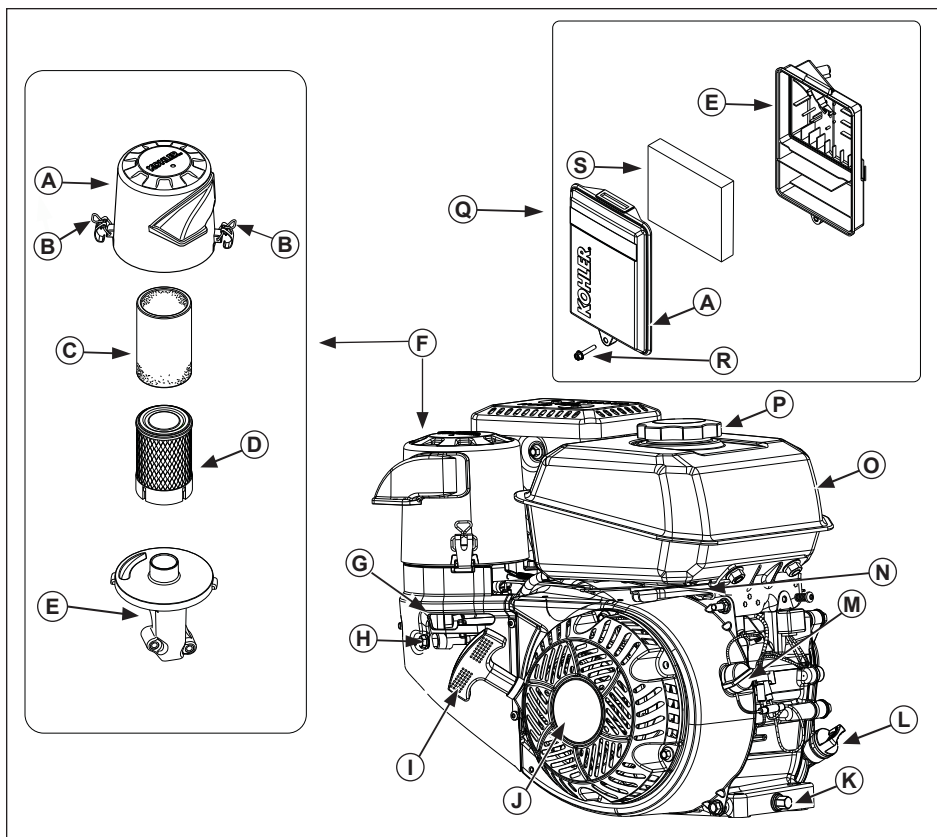
	<p>⚠ OPOZORILO</p> <p>Vrtljivi deli lahko povzročijo hude poškodbe.</p> <p>Med delovanjem motorja se mu ne približujte.</p>
	<p>Izognite se poškodbam in rok, nog, las in oblačil ne približujte gibljivim delom. Motorja nikoli ne uporabljajte, če so pokrovi, zastori ali ščitniki odstranjeni.</p>

	<p>⚠ OPOMIN</p> <p>Električni udar lahko povzroči poškodbe.</p> <p>Med delovanjem motorja se ne dotikajte žic.</p>
---	---

	<p>⚠ OPOZORILO</p> <p>Vroči deli lahko povzročijo hude opekline.</p> <p>Motorja se ne dotikajte med delovanjem ali takoj po zaustavitvi.</p>
	<p>Motorja nikoli ne uporabljajte, če so temperaturne zaščite ali pokrov odstranjeni.</p>

Opozorilo uredbe Proposition 65 v Kaliforniji, ZDA

Motorni izpuh tega izdelka vsebuje kemikalije, ki povzročajo raka, prirojene napake ali drugače škodijo reproduktivnim organom.




SL


A	Pokrov zračnega filtra	B	Zaskočka	C	Predfilter	D	Papirni element
E	Ohišje zračnega filtra	F	Zračni filter Quad-Clean™	G	Ročica dušilne lopute	H	Zapiranje goriva
I	Zagonska ročica	J	Povratna ročica za zagon	K	Čep za odtok olja	L	Paličica/pokrov za polnjenje olja
M	Stikalo za vklop/izklop (če je nameščeno)	N	Ročica za plin	O	Posoda za gorivo	P	Pokrov posode za gorivo
Q	Nizkoprofilni zračni filter	R	Vijak	S	Penasti element		

Seznam preverjanj pred zagonom

1. Preverite količino olja Če je količina olja nizka, ga dolijte. Ne dolijte ga preveč.
2. Preverite količino goriva Če je količina goriva nizka, ga dolijte. Preverite komponente in cevi sistema za gorivo za netesnosti.
3. Preverite in očistite hladilna mesta, mesta za dovod zraka in zunanjo površino motorja (še posebej po shranjevanju).
4. Zagotovite, da so komponente zračnega filtra in vsi pokrovi, zastori ter ščitniki nameščeni in trdno pritrjeni.
5. Preverite varovalo proti iskrenju (če je nameščeno).

Zagon

	⚠ OPOZORILO
	Ogljikov monoksid lahko povzroči hudo slabost, omedlevico ali smrt. Izogibajte se vdihavanju izpušnih plinov.
Izpušni plini vsebujejo strupeni ogljikov monoksid. Ogljikov monoksid je brez vonja in barve, njegovo vdihavanje pa je smrtno nevarno.	

	⚠ OPOZORILO
	Vrtljivi deli lahko povzročijo hude poškodbe. Med delovanjem motorja se mu ne približujte.
Izognite se poškodbam in rok, nog, las in oblačil ne približujte gibljivim delom. Motorja nikoli ne uporabljajte, če so pokrovi, zastori ali ščitniki odstranjeni.	

OPOMBA: Položaj dušilne lopute za zagon motorja je lahko odvisen od temperature in drugih dejavnikov. Ko je motor zagnan in ogret, prestavite ročico dušilne lopute v položaj "OFF".

OPOMBA: Občasno preglejte stanje celotne vrvi. Če je vrv načeta, jo nemudoma zamenjajte pri pooblaščenem prodajalcu Kohler.

OPOMBA: Motorja ne smete neprekinjeno zaganjati za več kot 10 sekund. Pustite ga 60 sekund, da se ohladi, preden ga znova poskusite zagnati. Če ne sledite tem smernicam, lahko pregori motor zaganjalnika.

OPOMBA: Če motor pridobi zadosti hitrosti, da se loči od zaganjalnika, vendar ne teče (neveljavni zagon), se mora vrtenje motorja popolnoma ustaviti, preden ga poskusite znova zagnati. Če zaganjalnik vklopite, ko se obrača vztrajnik, lahko pride do trčenja pastorka na osi zaganjalnika in zobnika vztrajnika, kar povzroči poškodbo zaganjalnika.

1. Ventil za zapiranje dotoka goriva obrnite v položaj ON (če je na voljo).
2. Stikalo za vklop/izklop motorja obrnite v položaj ON (če je na voljo).
3. Motor zaženite na naslednji način:

Hladen motor: Postavite ročico za plin na sredino med položaja SLOW (počasi) in FAST (hitro). Ročico dušilne lopute prestavite v položaj ON.

Ogret motor: Postavite ročico za plin na sredino med položaja SLOW (počasi) in

FAST (hitro). Takoj po zagonu motorja vrnite ročico dušilne lopute v položaj OFF. Pri ogretim motorju običajno ni treba aktivirati ročne dušilne lopute.

4. Povratna ročica za zagon: Počasi povlecite ročico za zagon do kompresije – STOP! Vrnite ročico za zagon in jo močno povlecite naravnost navzven, da se izognete pretirani obrabi zagnanske vrvi.

Električni zagon: Aktivirajte stikalo zaganjalnika. Spustite stikalo takoj, ko se motor zažene. Če zaganjalnik ne more zavrteti motorja, ga takoj izklopite. Ne poskušajte znova zagnati motorja, dokler ne odpravite tega stanja. Ne poskušajte ga zagnati prek zunanjega akumulatorja. Za analizo okvar se obrnite na pooblaščenega prodajalca Kohler.

5. Ko se motor zažene in ogreje, postopno vrnite ročico dušilne lopute v položaj OFF. Med ogrevanjem lahko uporabljate motor/opremo, vendar boste morda morali dušilno loputo pustiti delno odprto, dokler se motor ne ogreje.

Namigi za zagon v hladnem vremenu

1. Uporabite ustrezno olje za pričakovano temperaturo.
2. Odpnite vse možne zunanje obremenitve.
3. Uporabite sveže gorivo, namenjeno uporabi pozimi. Zimsko gorivo je bolj vnetljivo, kar pomaga pri zagonu.

Ugašanje

1. Če je mogoče, odstranite tovor tako, da odklopite vse priključke, ki jih poganja PTO.
2. Ročico za plin (če je nameščena) premaknite v počasni ali nizki položaj in zaustavite motor.
3. Zaprite ventil za dotok goriva (če je nameščen).

Naklon uporabe

Oglejte si navodila strojev, ki jih ta motor poganja. Pri uporabi tega motorja ne smete preseči največjega dovoljenega naklona uporabe; oglejte si tabelo s specifikacijami. Neustrezno podmazovanje lahko povzroči poškodbe motorja.

Hitrost motorja

OPOMBA: Ne skušajte povečati največje hitrosti motorja s posegi v sistem za uravnavanje plina ali uplinjač. Prekomerna hitrost delovanja je nevarna in razveljavi garancijo.

Delo na veliki nadmorski višini

Za ta motor bo morda treba uporabiti komplet uplinjača za višinsko uporabo, ki zagotovi pravilno delovanje motorja pri višinah nad 1219 metrov (4000 ft). Če želite dobiti informacije o kompletu za višinsko uporabo, poiščite

pooblaščenega prodajalca Kohler ali pokličite na št. 1-800-544-2444 (ZDA in Kanada).

Ta motor je namenjen uporabi v prvotni konfiguraciji na višinah pod 1219 metrov (4000 ft). Če je komplet uplinjača za višinsko uporabo nameščen na stroju in stroj uporabljate na višini pod 1219 metrov (4000 ft), lahko poškodujete motor.

Zamrzovanje v uplinjaču


OPOMBA: Če motor uporabljate v normalnih pogojih, ko je na njemu nameščen pokrov za uporabo v hladnem vremenu, ga lahko poškodujete.

Zamrzovanje v uplinjaču se lahko pojavi ob določenih kombinacijah temperature in vlažnosti. Rezultat zamrzovanja v uplinjaču je grobo delovanje v prostem teku ali pri nizki hitrosti, ki ga spremlja črn ali bel dim.

Za zmanjšanje možnosti zamrzovanja v uplinjaču lahko obrnete pokrov zračnega filtra tako, da vsesava toplejši zrak iz izpuha. Za uporabo v hladnem vremenu postavite pokrov zračnega filtra tako, da je oznaka snežinke obrnjena navzven.

Za uporabo v normalnem vremenu postavite pokrov zračnega filtra tako, da je oznaka sonca obrnjena navzven.

Navodila za vzdrževanje

	<p>⚠ OPOZORILO</p> <p>Neenamerni zagon lahko povzroči hude poškodbe ali smrt.</p> <p>Prekinite povezavo in ozemljite povezave svečk pred servisiranjem.</p>	<p>Pred delom z motorjem ali opremo onemogočite motor na naslednji način: 1) Odklopite priklopne kable svečk. 2) Odklopite negativni (-) pol akumulatorja.</p>
--	--	--

Normalno vzdrževanje, zamenjavo ali popravilo naprav ali sistemov za uravnavanje emisij lahko opravlja vsak servis ali posameznik, vendar morajo biti garancijska popravila opravljena pri pooblaščenemu prodajalcu Kohler, ki ga najdete na KohlerEngines.com ali na telefonski št. 1-800-544-2444 (ZDA in Kanada).

SL

Razpored vzdrževanja

Po prvih 5 urah

- Zamenjajte olje.

Vsaki 50 ur ali vsako leto

- Servisirajte ali zamenjajte prefilter Quad-Clean™.

Vsaki 100 ur ali vsako leto¹

- Očistite nizkoprofilni element zračnega filtra.
- Zamenjajte olje.
- Očistite hladilna območja.
- Zamenjajte svečko in nastavite razmik.

Vsaki 200 ur²

- Preverite in prilagodite hod ventilov, ko je motor hladen.

Vsaki 200 ur

- Zamenjajte element zračnega filtra Quad-Clean™.

Vsaki 300 ur

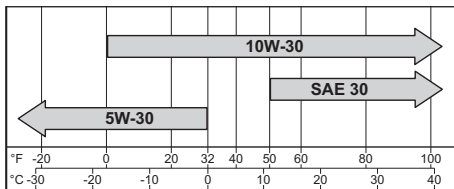
- Zamenjajte nizkoprofilni element zračnega filtra.
- Preverite filtre za gorivo (izhodni filter iz posode in zaporedni filter) in jih po potrebi očistite ali zamenjajte (če sta na voljo).

¹Te postopke opravite pogosteje v izjemno prašnih in umazanih okoljih.

²Tovrstna dela naj opravijo pri pooblaščenem prodajalcu Kohler.

Priporočila glede olj

Za najboljšo učinkovitost priporočamo uporabo olj Kohler. Sprejemljiva so tudi druga visokokakovostna čistilna olja (vključno s sintetičnimi) servisnega razreda SJ ali višjega glede na standarde inštituta American Petroleum Institute (API). Viskoznost izberite na osnovi temperature okolja v času uporabe, kot je prikazano v spodnji tabeli.



Preverjanje količine olja

OPOMBA: Če želite preprečiti prekomerno obrabo ali poškodbe motorja, ga nikoli ne uporabljajte, kadar je nivo olja pod ali nad delovnim območjem na merilni paličici.

Prepričajte se, da je motor hladen. Očistite umazanijo z območja odprtine za polnjenje/paličice olja.

1. Odstranite paličico in z nje obrišite olje.
2. Paličico znova vstavite v cev, pri čemer se naj nasloni na vrat za polnjenje olja, nato jo obračajte v levo, dokler pokrov ne pade na najnižjo točko navijta. Pokrova ne smete priviti na cev.
 - a. Izvlecite paličico; preverite nivo olja. Nivo bi moral kazati na zgornji pokazatelj paličice.ali
 - b. Odstranite pokrov za polnjenje olja. Nivo bi moral biti do točke prelitja na vratu za polnjenje.
3. Ob nizkem nivoju olja ga dolijte do točke prelitja na vratu za polnjenje.
4. Vrnite paličico ali pokrov za polnjenje v prvotni položaj in tesno privijte.

Menjava olja

Olje menjajte pri toplem motorju.

1. Očistite območje okrog pokrova za polnjenje/paličice in odtočnega čepa olja.
2. Odstranite odtočni čep in pokrov za polnjenje/paličico. Popolnoma izpraznite olje.
3. Znova namestite odtočni čep. Privijte ga z zateznim momentom 17,6 Nm (13 ft. lb).
4. Ohišje napolnite z novim oljem do točke

prelitja na vratu za polnjenje.

5. Vrnite paličico in pokrov v prvotni položaj in tesno privijte.
6. Rabljeno olje zavrzite v skladu z veljavno lokalno zakonodajo.

Oil Sentry™ (če je nameščen)

To stikalo je zasnovano tako, da prepreči zagon motorja, ko v njem ni dovolj olja. Stikalo Oil Sentry™ morda ne bo pravočasno zaustavilo delujočega motorja, da prepreči škodo. To stikalo v nekaterih primerih aktivira opozorilni signal. Za več informacij si preberite navodila za uporabo opreme.

Priporočila glede goriva



⚠ OPOZORILO

Eksplozivno gorivo lahko povzroči požare in hude opekline.

Posode za gorivo ne polnite, ko je motor ogret ali v teku.

Bencin je močno vnetljiv in njegovi hlapi lahko ob vžigu eksplodirajo. Bencin shranjujte v odobrenih posodah v dobro prezračevanih nenaseljenih zgradbah, kjer ni prisotnosti isker ali plamena. Če izlito gorivo pride v stik z vročimi deli ali iskrami iz vžiga, se lahko vname. Bencina nikoli ne uporabljajte kot čistilo.

OPOMBA: Mešanice E15, E20 in E85 NISO dovoljene in jih NE SMETE uporabljati. Garancija ne krije učinkov, ki nastanejo zaradi starega, postanelega ali onesnaženega goriva.

Gorivo mora izpolnjevati naslednje zahteve:

- Čist, svež, neosvinčen bencin.
- Oktansko število 87 (R+M)/2 ali višje
- Raziskovalno določeno oktansko število (RON) - najmanj 90.
- Sprejemljiv je bencin s sestavo do 10 % etilnega alkohola in 90 % neosvinčenega bencina.
- Odobrena je tudi uporaba mešanice metil terciarnega butil etra (MTBE) in neosvinčenega bencina (največ 15% MTBE).
- Gorivu ne dodajajte olja.
- Posode za gorivo ne prenapolnite.
- Ne uporabljajte bencina, ki je starejši od 30 dni.

Dolivanje goriva

	⚠ OPOZORILO Eksplozivno gorivo lahko povzroči požare in hude opekline. Posode za gorivo ne polnite, ko je motor ogret ali v teku.
Bencin je močno vnetljiv in njegovi hlapi lahko ob vžigu eksplodirajo. Bencin shranjujte v odobrenih posodah v dobro prezračevanih nenaseljenih zgradbah, kjer ni prisotnosti isker ali plamena. Če izlito gorivo pride v stik z vročimi deli ali iskrami iz vžiga, se lahko vna- me. Bencina nikoli ne uporabljajte kot čistilo.	

Prepričajte se, da je motor hladen.

1. Očistite območje v okolici pokrova posode za gorivo.
2. Odstranite pokrov posode za gorivo. Napolnite do dna vratu za polnjenje. Posode za gorivo ne prenapolnite. Gorivo naj ima prostor za širjenje.
3. Znova namestite pokrov posode za gorivo in ga tesno privijte.

Cev za gorivo


Na motorjih Kohler Co. z uplinjačem mora biti nameščena cev za gorivo z nizko prepustnostjo, da izpolni zahteve predpisov EPA in CARB.

Ventil za gorivo

Motorji so opremljeni z ventilom za gorivo in zaščitnim filtrom na vhodu uplinjača. Omogočata nadzor in filtracijo pretoka goriva iz posode v uplinjač. Očistite ostanke iz posode ventila za gorivo.

1. Odstranite dve matici, dva vijaka in pokrov uplinjača.
2. Ročico ventila za uravnavanje pretoka goriva obrnite v položaj OFF.
3. Odstranite posodo ventila za gorivo. Odstranite okroglo tesnilo in filtersko mrežico.
4. Očistite mrežico in posodo ventila za gorivo očistite s toplom in jo obrišite.
5. Preverite mrežico in okroglo tesnilo. Če sta poškodovana, ju zamenjajte.
6. Znova namestite okroglo tesnilo in nato še posodo ventila za gorivo. Z roko trdno privijte posodo ventila za gorivo. S francoskim ključem jo obrnite še za 1/2 do 3/4 obrata.
7. Ventil za gorivo premaknite v položaj ON in preverite za netesnosti. Če posoda ventila za gorivo ni tesna, ponovite koraka 5 in 6.
8. Tesno privijte pokrov posode za gorivo.
9. Znova namestite pokrov uplinjača in ga privijte z vijakom, ki ste ga odstranili v 1. koraku.

Svečke

	⚠ OPOMIN Električni udar lahko povzroči poškodbe. Med delovanjem motorja se ne dotikajte žic.
---	--

Očistite vdolbino vžigalne svečke. Odstranite svečko in jo znova namestite.

1. Preverite razmik z žičnatim merilnikom. Prilagodite razmik na vrednost iz tabele s specifikacijami.
2. Svečko namestite v glavo cilindra.
3. Svečko privijte z zateznim momentom 27 Nm (20 ft. lb.).

Zračni filter

OPOMBA: Če motor uporabljate v normalnih pogojih, ko je na njemu nameščen pokrov za uporabo v hladnem vremenu, ga lahko poškodujete.

OPOMBA: Uporaba motorja z nepritrjenimi ali poškodovanimi komponentami zračnega filtra lahko povzroči prehitro obrabo in okvare. Zamenjajte vse skrivljene ali poškodovane dele.

OPOMBA: Papirnega elementa ni mogoče preprihati s stisnjanim zrakom.

Quad-Clean™

Zaskočke na pokrovu zračnega filtra premaknite navzdol. Odstranite zaponke izpod zatičev na ohišju in odstranite pokrov.

Predfilter:

1. Odstranite predfilter iz papirnega elementa.
2. Predfilter zamenjajte ali pa ga operite s toplo milnico. Sperite ga in pustite, da se posuši.
3. Predfilter rahlo naoljite z novim motornim oljem. Odvečno olje iztisnite ven.
4. Znova namestite predfilter na papirni element.

Papirni element:

1. Ločite predfilter od elementa. Servisirajte predfilter in zamenjajte papirni element.
2. Na ohišje namestite nov papirni element. Predfilter namestite na papirni element.

Pokrov zračnega filtra postavite v položaj za normalno uporabo (oznaka sonca navzven) ali uporabo v hladnem vremenu (oznaka snežinke navzven). Zaponke postavite pod zatiče in dvignite zaskočki, da pritrдите pokrov.

Nizek profil


1. Odstranite vijak in pokrov zračnega filtra.
2. Odstranite penasti element iz ohišja.

3. Penasti element operite s toplo milnico. Sperite ga in pustite, da se posuši.
4. Penasti element rahlo naoljite z novim motornim oljem. Odvečno olje iztisnite ven.
5. Penasti element znova namestite v ohišje.
6. Znova namestite pokrov in ga privijte z vijakom.

Cev za zračenje

Prepričajte se, da sta oba konca cevi za zračenje pravilno priključena.

Zračno hlajenje

	<p style="text-align: center;">⚠ OPOZORILO</p> <p>Vroči deli lahko povzročijo hude opekline.</p> <p>Motorja se ne dotikajte med delovanjem ali takoj po zaustavitvi.</p>
<p>Motorja nikoli ne uporabljajte, če so temperaturne zaščite ali pokrov odstranjeni.</p>	

Ustrezno hlajenje je nujno. Očistite mrežice, hladilna rebra in druge zunanje površine motorja, da preprečite pregrevanje. Kabelskega snopa ali električnih delov ne smete poškopiti z vodo. Oglejte si razpored vzdrževanja.

Popravila/servisni deli

Priporočamo, da se za vzdrževanje, servisiranje in rezervne dele za motor obrnete na pooblaščenega prodajalca Kohler. Pooblaščenega prodajalca Kohler lahko poiščete na KohlerEngines.com ali pa s klicem na telefonsko št. 1-800-544-2444 (ZDA in Kanada).

Shranjevanje

Če motorja ne boste uporabljali 2 ali več mesecev, sledite spodnjemu postopku.

1. V posodo z gorivom dolijte aditiv Kohler PRO Series. Motor zaženite za 2 do 3 minute, da stabilizirano gorivo pride v sistem za gorivo (garancija ne krije okvar zaradi neobdelanega goriva).
2. Zamenjajte olje, ko je motor še topel po uporabi. Odstranite svečke in v cilindre nalijte približno 1 oz. (30 ml) motornega olja. Znova namestite svečke in počasi zaganjajte motor, da se olje porazdeli.
3. Odklopite negativni (-) pol akumulatorja.
4. Motor shranite v čistem in suhem prostoru.

Odpravljanje težav

Ne poskušajte servisirati ali menjati večjih delov motorja ali drugih delov, katerih menjava zahteva posebne postopke prilagajanja in umerjanja. Tovrstna dela naj opravijo pri pooblaščenem prodajalcu Kohler.

Težava	Možen razlog							
	Ni goriva	Neustrezno gorivo	Umazanija v cevi za gorivo	Umazan ščitnik za delce	Neustrezna količina olja	Preobremenitev motorja	Umazan filter za zrak	Okvara svečke
Ne zažene se	•	•	•		•	•	•	•
Težave zagona		•	•		•	•	•	•
Nenadno ugašanje	•		•	•	•	•	•	•
Pomanjkanje moči		•	•	•	•	•	•	•
Nestalno delovanje		•	•	•		•	•	•
Pokanje ali tolčenje		•		•		•		•
Preskoki ali prekinitev		•	•	•			•	•
Pokanje izpuha		•	•			•	•	•
Pregrevanje		•	•	•	•	•	•	•
Visoka poraba goriva						•	•	•

Specifikacije motorja

Model	Obseg cilindra	Hod	Prostornina	Največja količina olja (polnjenja)	Razmik svečk	Največji dovoljeni naklon uporabe (pri polnem olju)*
CH260	70 mm (2.8 in.)	54 mm (2.1 in.)	208 cc (12.7 in.)	0,60 l (0,63 U.S. qt.)	0,76 mm (0,03 in.)	25°
CH270						
CH395	78 mm (3,1 in.)	584 mm (2,3 in.)	277 cc (16.9 in.)	1,1 l (1.16 U.S. qt.)		
CH440	89 mm (3,5 in.)	69 mm (2.7 in.)	429 cc (24.7 in.)			

*Če presežete največji dovoljeni naklon uporabe, lahko pride do poškodb motorja zaradi nezadostnega mazanja.

Dodatne informacije o specifikacijah lahko najdete v servisnih navodilih, ki so na voljo na KohlerEngines.com.

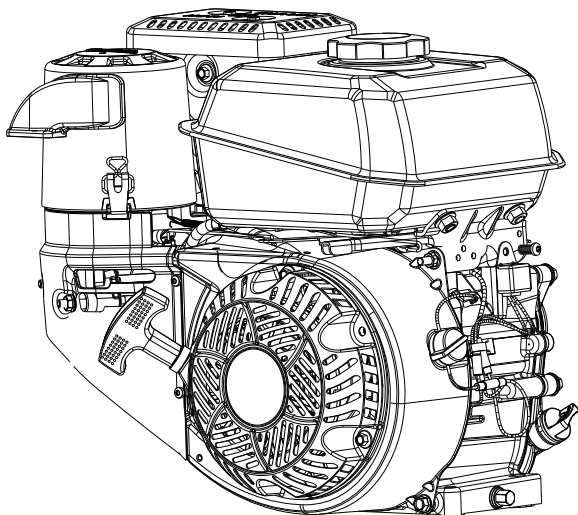
Sistem za nadzor nad izpušnimi emisijami za modele CH260, CH270, CH395, CH440 je EM za ZDA, EPA, Kalifornijo in Evropo.

Vse reference na konjske moči (hp) s strani družbe Kohler so certificirane oznake moči po standardih SAE J1940 in J1995. Podrobnosti za certificirane oznake moči lahko dobite na KohlerEngines.com.

KOHLER® Command PRO®

CH260、CH270、CH395、CH440

用户手册



重要提示： 设备操作前请阅读所有安全预防措施和说明。请参阅安装该发动机设备的操作说明。

执行任何保养或检修前请确保发动机已停机并平坦放置。

保修范围在保修卡及 KohlerEngines.com 中扼要说明，具体规定了您的权利和义务，请仔细阅读。

请记录发动机信息，并在订购零件或获取保修范围时参考。

发动机型号 _____
规格 _____
系列号 _____
购买日期 _____


安全预防措施

⚠ 警告： 可能导致死亡、严重人身伤害或重大财产损失的危险。

⚠ 告诫： 可能导致轻微人身伤害或财产损失的危险。

注意： 用于告知人们非常重要的发动机安装、操作或保养相关信息。

	⚠ 警告
	<p>易爆炸的燃油可能引起火灾和严重灼伤。</p> <p>在发动机处于高温或运转时，切勿往燃油箱内加油。</p>
<p>汽油很容易燃烧，且它的蒸气被点燃的时候易爆炸。存储的汽油只能装在符合要求的容器内，并位于通风良好、无人居住的建筑物内，远离火花或火焰。溢出的燃油在接触到热的零件或点火火花的时候容易被点燃。不能使用汽油作为清洗剂。</p>	

	⚠ 警告
	<p>一氧化碳可能导致严重呕吐、昏厥甚至死亡。</p> <p>避免吸入排放的尾气。</p>
<p>发动机排放的尾气含有有毒的一氧化碳。一氧化碳是无味、无色的气体，且吸入过多时会导致死亡。</p>	

	⚠ 警告
	<p>意外启动可能造成严重人身伤害甚至死亡。</p> <p>在维护前请断开火花塞导线并将其接地。</p>
<p>在发动机或设备上工作之前，请按以下说明停止发动机： 1) 断开火花塞导线。 2) 断开电池的负极 (-) 电池线。</p>	

	⚠ 警告
	<p>旋转零件可能引起严重人身伤害。</p> <p>切记远离运转中的发动机。</p>
<p>手、足、头发和衣物必须远离正在转动的零件以防人身伤害。在外盖、保护罩或防护装置拆走的时候，不要运行发动机。</p>	

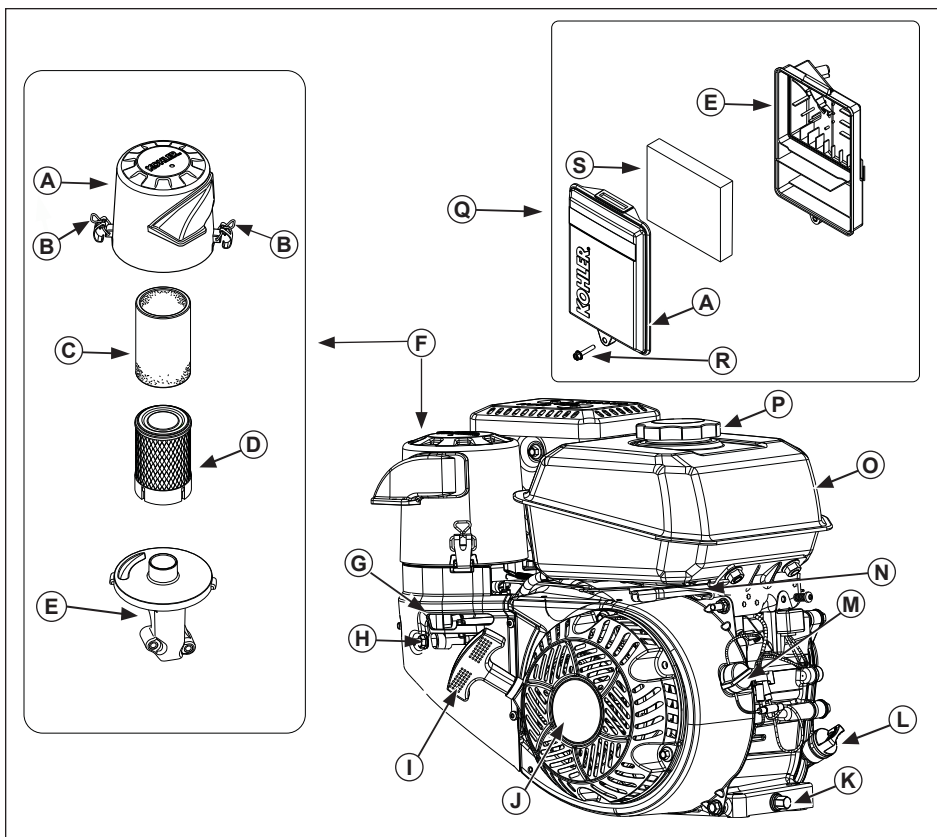
	⚠ 告诫
	<p>触电可能导致严重人身伤害。</p> <p>在发动机运转期间不得触摸电线。</p>

	⚠ 警告
	<p>高温零件可能引起严重灼伤。</p> <p>切勿在运转期间或停机后立即触摸发动机。</p>
<p>在发动机隔热罩或隔热板拆走后，切记不能运行发动机。</p>	

ZH

加利福尼亚州 65 号提案警告

根据加利福尼亚州提案，这种发动机的尾气排放包含可能导致癌症、出生缺陷或其他生育损害的化学物质。





A	空气滤清器罩	B	卡箍	C	粗滤器	D	纸质滤芯
E	空气滤清器底座	F	Quad-Clean™ 空气滤清器	G	阻风门控制杆	H	燃油切断阀
I	起动机手柄	J	反冲起动机	K	润滑油放油塞	L	机油尺/润滑油 加油塞
M	On/Off (开启/关闭) 开关 (如配备)	N	油门控制杆	O	燃油箱	P	燃油加油盖
Q	小型空气滤清器	R	螺丝	S	泡沫滤芯		

启动前检查

1. 检查润滑油液位。如果液位低，需加油。但不要过度加油。
2. 检查燃油液位。如液位较低，则应加注燃油。检查燃油系统部件及管道是否有泄漏。
3. 检查并清洁冷却部位、空气进气部位和发动机外部（尤其是存放后）。
4. 检查空气滤清器零部件和所有保护罩、设备遮盖和保护装置是否都安装到位，且安全紧固。
5. 检查阻火器（如配备）

启动

	警告
	一氧化碳可能导致严重呕吐、昏厥甚至死亡。 避免吸入排放的尾气。
发动机排放的尾气含有有毒的一氧化碳。一氧化碳是无味、无色的气体，且吸入过多时会导致死亡。	

	警告
	旋转零件可能引起严重人身伤害。 切记远离运转中的发动机。
手、足、头发和衣物必须远离正在转动的零件以防人身伤害。在外盖、保护罩或防护装置拆走的时候，不要运行发动机。	

注意： 启动时的阻风门位置可能会不同，具体取决于温度和其他因素。一旦发动机运行并且发热，将阻风门旋转到 **OFF**（关闭）位置。

注意： 应定期展开启动拉绳以检查其状况。如果启动拉绳出现磨损，立即联系 Kohler 授权代理商进行更换。

注意： 不要使用启动器带动发动机持续超过 **10 秒钟**。下次启动尝试之前等待 **60 秒** 以使其冷却。否则可能导致启动器马达烧坏。

注意： 如果发动机有足够速度脱离启动器，但不能保持运转（启动失败），则必须在发动机完全停止后才能重新启动发动机。如果在飞轮旋转时接合启动器，则启动器齿轮和飞轮齿圈可能撞击，并导致启动器损坏。

1. 将燃油切断阀旋转到 **ON**（开启）位置（如配备）。

2. 将 **on/off**（开启/关闭）开关旋转到 **ON**（开启）位置（如配备）。

3. 按照以下说明启动发动机：

冷发动机：将油门控制放在 **SLOW**（慢速）与 **FAST**（快速）位置中间。将阻风门控制放入 **ON**（开启）位置。

热发动机：将油门控制放在 **SLOW**（慢速）与 **FAST**（快速）位置中间。发动机一旦启动，立刻将阻风门位置推倒 **OFF**（关闭）位置。热发动机通常不需要开启阻风门。

4. 反冲启动：慢慢拉动启动器手柄，直至刚好拉过压缩位置 - 停止！拉回启动器手柄；沿平直方向平稳地拉动手柄以避免对启动拉绳器上的拉绳造成过度磨损。

电启动：激活启动器开关。发动机启动后，松开开关。如果启动器不能带动发动机，则应立即关闭启动器。在未排除问题之前，切勿再次尝试启动发动机。不要进行助推启动。请向 Kohler 授权代理商寻求故障诊断。

5. 在发动机启动并预热后，逐渐将油门控制推到“**OFF**（关闭）”位置。在预热期间发动机/设备可以工作，但可能需要部分开启阻风门，直到发动机完成预热。

冷天气启动说明

1. 请根据气温来使用合适的润滑油。
2. 脱开所有可能的外部负荷。
3. 请使用新鲜的冬季等级燃油。冬季等级燃油有更高的挥发性，可以改善启动。

停止

1. 如果可能，脱开所有 PTO 驱动附件，以移除负荷。
2. 将油门控制（如配备）移动到慢速或怠速位置；停止发动机。
3. 关闭燃油切断阀（如配备）。

工作角度

请参阅安装该发动机设备的操作说明。运行发动机时不得超出最大工作角度；请参阅规格表。发动机可能会由于润滑不足而损坏。

ZH

发动机转速

注意： 不要随意改变调速器设置，以增加发动机最大转速。超速是很危险的，且不属于保修范围。

高海拔工作

为确保发动机在海拔 **4000 ft (1219 m)** 以上正常运行，该发动机可能需要一套高海拔化油器套件。要获得高海拔套件信息或查找 Kohler 授权代理商，请访问 KohlerEngines.com 或拨打 **1-800-544-2444**（美国和加拿大）。

该发动机在低于 **4000 ft (1219 m)** 时应采用原始配置运行。如果安装了高海拔化油器套件并低于 **4000 ft (1219 m)** 运行，发动机可能会发生损坏。

化油器结冰

注意： 如果外界条件正常，将外罩放在“冷天气运行”位置运转发动机可能导致发动机损坏。

在一定温度和湿度条件下，可能发生化油器结冰情况。化油器结冰会导致发动机在怠速或低速时运转不平稳，并冒黑烟或白烟。

为了降低化油器结冰的可能性，可转动空气滤清器罩以便从消声器侧抽入温热空气。冷天气运行时，空气滤清器罩放置时应显示雪花贴花。

正常运行时，空气滤清器罩放置时应显示太阳贴花。

保养说明

	警告	在发动机或设备上工作之前，请按以下说明停止发动机：1) 断开火花塞导线。2) 断开电池的负极 (-) 电池线。
	意外启动可能造成严重人身伤害甚至死亡。 在维护前请断开火花塞导线并将其接地。	

发动机排放控制设备/系统的正常保养、更换或维修工作，可以由任何发动机维修公司或个人来进行。但保修期维修必须由 Kohler 授权代理商执行。请访问 KohlerEngines.com 或拨打电话 1-800-544-2444（美国和加拿大）获取授权代理商信息。

保养安排

首次 5 小时后

- 更换润滑油。

每 50 小时或每年

- 检修/更换 Quad-Clean™ 粗滤器。

每 100 小时或每年¹

- 清洁小型空气滤清器滤芯。
- 更换润滑油。
- 清洁冷却部位。
- 更换火花塞和调节间隙。

每 200 小时²

- 发动机冷却后，检查并调节阀间隙。

每 200 小时

- 更换 Quad-Clean™ 空气滤清器滤芯。

每 300 小时

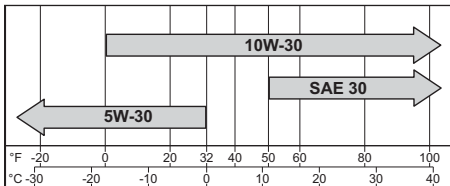
- 更换小型空气滤清器滤芯。
- 检查燃油过滤器（燃油箱出口过滤器和管路上的过滤器）并根据需要加以清洁或更换（如配备）。

¹ 在灰尘、脏污严重的情况下，必须提高定期保养的频率。

² 请联系 Kohler 授权代理商来执行此维护。

润滑油使用建议

我们推荐使用 Kohler 润滑油，以获得最佳性能。其他满足 API（美国石油组织）服务等级 SJ 或更高等级的高质量去污润滑油也可以使用。如下表所示，根据发动机使用时期的大气温度选择合适粘度的润滑油。



检查润滑油液位

注意： 为防止发动机出现过度磨损或损坏，润滑油液位低于或超出机油尺指示的工作范围时切勿运行发动机。

确保发动机处于冷却状态。清除润滑油添加/机油尺区域的所有杂物。

1. 取出机油尺，擦干净润滑油。
2. 重新将机油尺插入加油管；逆时针转动机油尺，直到润滑油加油盖落入最低螺纹位置；不要加油盖旋到加油管上。

- a. 取出机油尺；检查润滑油液位。液位应该在机油尺指示的顶端。
或
 - b. 取出润滑油加油塞。液位应达到加油口的满液位位置。
3. 如液位较低，应添加润滑油至加油口的满液位位置。
 4. 重新安装机油尺或润滑油加油塞，并将其旋紧。

- 由最高 10% 乙醇和 90% 无铅汽油混合的汽油也可使用。
- 甲基叔丁醚 (MTBE) 和无铅的汽油混合 (按体积 MTBE 最高可达 15%) 已获准使用。
- 不能往汽油里加润滑油。
- 不能过度往燃油箱里加油。
- 不能使用 30 天以上的汽油。

添加燃油

更换润滑油

发动机处于较热状态时更换润滑油。

1. 清洁润滑油加油盖/机油尺和放油塞。
2. 取出放油塞和加油盖/机油尺。完全排出润滑油。
3. 重新安装放油塞。拧紧至扭矩 13 ft. lb. (17.6 N·m)。
4. 将新润滑油注入曲轴箱，液位应达到加油口的满液位位置。
5. 重新安装润滑油加油盖/机油尺，并将其旋紧。
6. 根据当地规定处理废机油。

	警告
	<p>易爆炸的燃油可能引起火灾和严重灼伤。</p> <p>在发动机处于高温或运转时，切勿往燃油箱内加油。</p>
<p>汽油很容易燃烧，且它的蒸气被点燃的时候易爆炸。存储的汽油只能装在符合要求的容器内，并位于通风良好、无人居住的建筑物内，远离火花或火焰。溢出的燃油在接触到热的零件或点火火花的时候容易被点燃。不能使用汽油作为清洗剂。</p>	

确保发动机处于冷却状态。

1. 清洁燃油盖四周的区域。
2. 拆下燃油盖。加注燃油至加油口底部。不能过度往燃油箱里加油。必须留下燃油膨胀的空间。
3. 重新安装燃油盖，并将其旋紧。

Oil Sentry™ (如配备)

该开关设计用于防止在低润滑油液位或无润滑油时起动发动机。Oil Sentry™ 不能在发生损坏之前停止发动机运转。在某些应用中，此开关可以激活一个警告信号。请阅读设备手册以获得更多信息。

燃油管

ZH

Kohler 公司化油式发动机上必须安装低渗透燃油管，以符合美国环保署和 CARB 的监管规定。

燃油使用建议

	警告
	<p>易爆炸的燃油可能引起火灾和严重灼伤。</p> <p>在发动机处于高温或运转时，切勿往燃油箱内加油。</p>
<p>汽油很容易燃烧，且它的蒸气被点燃的时候易爆炸。存储的汽油只能装在符合要求的容器内，并位于通风良好、无人居住的建筑物内，远离火花或火焰。溢出的燃油在接触到热的零件或点火火花的时候容易被点燃。不能使用汽油作为清洗剂。</p>	

燃油阀

这些发动机在化油器入口处设有燃油阀和内置滤网过滤器。它控制并过滤从燃油箱流到化油器的燃油流量。清洁燃油阀门座的杂物。

注意：E15、E20 和 E85 未获批准，不得使用；使用旧的、过期或污染机油导致的后果不在保修范围内。

燃油必须符合下列要求：

- 干净、新鲜的无铅汽油。
- 87 (R+M)/2 或以上泵辛烷值等级的汽油。
- 研究法辛烷值 (RON) 最低为 90 号辛烷的汽油。

1. 拆下两颗螺帽、两颗螺丝以及化油器盖板。
2. 将燃油阀杆旋转到 OFF (关闭) 位置。
3. 拆下燃油阀座。拆下 O 型圈和滤网。
4. 用溶剂清洁滤网和燃油阀座并擦干。
5. 检查滤网和 O 型圈，如有损坏应加以更换。
6. 重新安装 O 型圈，随后安装燃油阀座。用手拧紧燃油阀座。用扳手旋转 1/2 至 3/4 满圈。
7. 将燃油阀旋转到 ON (开启) 位置，并检查是否存在泄漏。如果燃油阀存在泄漏，则重复第 5、6 步。
8. 旋紧燃油盖。
9. 重新安装化油器盖板，并使用在第 1 步中拆下的固定件紧固。

火花塞



⚠ 告 诫

触电可能导致严重人身伤害。
在发动机运转期间不得触摸电线。

清洁火花塞凹槽。拆下火花塞并更换。

1. 使用塞尺检查火花塞间隙。调整间隙，请参阅规格表实施调整。
2. 将火花塞安装在气缸盖内。
3. 火花塞的紧固扭矩为 20 ft. lb. (27 N·m)。

空气滤清器

注意：如果外界条件正常，将外罩放在“冷天气运行”位置运转发动机可能导致发动机损坏。

注意：如果空气滤清器零部件出现松动或损坏，则运行发动机可能引起过早磨损和故障。更换所有弯曲或损坏的零部件。

注意：纸质滤芯不能用压缩空气吹出。

Quad-Clean™

将空气滤清器罩的卡箍移至低位；从底座扣环的下方拆下插销；拆下滤清器罩。

粗滤器：

1. 从纸质滤芯上拆下粗滤器。
2. 更换粗滤器，或在温水中使用清洗剂清洗粗滤器。冲洗并风干。
3. 使用新鲜的发动机润滑油对粗滤器上油；挤出过多的润滑油。
4. 重新将粗滤器安装在纸质滤芯上。

纸质滤芯：

1. 从纸质滤芯上拆下粗滤器；对粗滤器进行保养并更换纸质滤芯。
2. 将新的纸质滤芯安装在底座上；在纸质滤芯上安装粗滤器。

将空气滤清器罩放置在正常运行（显示太阳贴花）或冷天气运行（显示雪花贴花）位置；将插销放在底座扣环的下方；提起卡箍固定滤清器罩。

小型空气滤清器

1. 拆下螺丝和空气滤清器罩。
2. 从底座上拆下泡沫滤芯。
3. 在温水中使用清洗剂清洗泡沫滤芯。冲洗并风干。
4. 使用新鲜的发动机润滑油对泡沫滤芯上油；挤出过多的润滑油。
5. 将泡沫滤芯重新安装在底座内。
6. 重新安装并用螺丝固定空气滤清器罩。

呼吸器管

确保呼吸器管的两端正确连接。

空气冷却



⚠ 警 告

高温零件可能引起严重灼伤。
切勿在运转期间或停机后立即触摸发动机。

在发动机防热罩或隔热板拆走后，切记不能运行发动机。

正确的冷却非常重要。为防止过热，应清洁滤网、散热片及发动机外部。避免将水喷洒在线束或任何电子零部件上。请参见保养安排。

零件维修/检修

我们建议您联系 Kohler 授权代理商实施所有发动机零件的保养、维修和更换。要查找 Kohler 授权代理商，请访问 KohlerEngines.com 或拨打 1-800-544-2444（美国和加拿大）。

存放

如果超过两个月不使用发动机，请按照以下程序。

1. 在燃油箱内添加 Kohler PRO 系列燃油处理剂或替代产品。运行发动机 2-3 分钟，以使加入稳定剂的燃油进入燃油系统内（使用未经处理燃油造成的故障不在保修范围内）。
2. 在发动机停机后处于较热状态时更换润滑油。拆下火花塞并在气缸内倒入大约 1 盎司的发动机润滑油。更换火花塞并缓慢带动发动机，使润滑油均匀分布。
3. 断开负极 (-) 电池线。
4. 将发动机存放在清洁、干燥的地方。

故障排除

切勿尝试维修或更换关键的发动机零部件，或任何需要特殊正时或调节程序的部件。请联系 Kohler 授权代理商来检修这些故障。

问题	可能原因							
	没有燃油	燃油不合适	燃油管脏污	滤网有碎屑或脏污	润滑油液位不正确	发动机载荷过高	空气滤清器脏污	火花塞故障
不能起动	●	●	●		●	●	●	●
起动困难		●	●		●	●	●	●
突然停机	●		●	●	●	●	●	●
动力不足		●	●	●	●	●	●	●
运行不稳		●	●	●		●	●	●
敲缸或有异响		●		●		●		●
不着火或不点火		●	●	●			●	●
逆火		●	●			●	●	●
过热		●	●	●	●	●	●	
燃油消耗高						●	●	●

发动机规格

型号	缸径	冲程	排量	润滑油容量 (重新加注)	火花塞间隙	最大工作角度 (润滑油满液位时)*
CH260	2.8 in. (70 mm)	2.1 in. (54 mm)	12.7 in. (208 cc)	0.63 U.S. qt. (0.60 L)	0.03 in. (0.76 mm)	25°
CH270						
CH395	3.1 in. (78 mm)	2.3 in. (58 mm)	16.9 in. (277 cc)	1.16 U.S. qt. (1.1 L)		
CH440	3.5 in. (89 mm)	2.7 in. (69 mm)	24.7 in. (429 cc)			

ZH

*超出最大工作角度可能引起润滑不足，从而导致发动机损坏。

其他规格信息请参见 KohlerEngines.com 内的服务手册。

CH260、CH270、CH395、CH440 型号的尾气排放控制系统为 EM（美国环保署、加利福尼亚州和欧洲）。

Kohler 提及的任何和所有马力 (hp) 均为根据 SAE J1940 & J1995 hp 标准经认证的额定功率。有关经认证的额定功率详细信息请访问 KohlerEngines.com。

